

# HOLIDAY INN EXPRESS

## Paducah, KY

REVISION NO.	BY

### G.R.C. COLUMN COVER GENERAL NOTES

#### GRC COLUMN COVER STORAGE, INSTALLATION & FINISHING INSTRUCTIONS

Prior to beginning any installation, be sure you have a set of the most current shop drawings on the job site. Review and understand all information on these drawings prior to beginning installation. Inventory the GRC pieces you have received and compare to the shop drawings. Confirm quantities and dimensional correctness prior to beginning installation. If you have any questions, please call Mike Noonan 770-514-8141.

Prior to beginning installation, unwrap or uncrate a random sampling of pieces. Column covers may or may not be shipped in matching pairs. If they are shipped in matching pairs, the matching nomenclature will be clearly detailed on the Bill of Lading and the pieces themselves. In theory, all pieces of a particular type should match unless shipped in matching pairs.

Inspect the insides of the pieces for any protrusions or obstructions that will interfere with matching, mating or attachment of pieces. Use a belt sander, rasp, saw, or grinder for removal.

#### SINGLE HIGH INSTALLATION

1) Begin by positioning the first half of the column cover. Mechanically attach metal or pressure treated wood clips to the structure at both the top and bottom of the column cover. The clips should be set immediately behind the GRC column cover piece at the seams and the mid-point of the piece. Pre-drill pilot holes through the face of the column cover into the clips. Screw attach the GRC column piece into the clips with non-corrosive screws and countersink the screw heads.

2) When installing the first half of the column cover be sure to allow for any slope or imperfections in the concrete slab. Shimming above the slope/imperfections may be required.

3) Loose fit the second half of the column cover to ensure proper fit and alignment. Some shimming or grinding on the inside of the second half may be required. It may be necessary to use a band clamp or webbing to pull the two column cover halves together and obtain the tightest fit (see sketch below).

4) Prior to final installation of the second half of the column cover, apply a continuous bead of urethane adhesive along the full length of both edges of the first half of the column cover.

5) Final fit the second half of the column cover and secure with clamps or webbing. Shim up or down the other side of the second column cover half, obtaining the optimum match. Be sure to only use non-corrosive drywall screws. The screw head should be below the finished surface level.

6) Column Cover should be installed so that it does not touch the slab below. Leave 1" gaps @ 12" o.c. in caulk above and below the column covers.

7) Sand or rasp any high spots along the seam lines so that the sides are flush with each other.

#### DOUBLE HIGH INSTALLATION

1) The same basic process outlined above is applicable. However, there will be a few minor, but important modifications.

2) The tops of the lower column cover pieces will have 2" wide horizontal flanges and the bottoms of the upper column cover pieces will have 2" wide horizontal flanges. These flanges are for use in stacking the pieces.

3) Follow steps 1-6 in the SINGLE HIGH INSTALLATION. Install horizontal kickers anchored to the structural column. These kickers should fit snugly underneath the 2" wide top flange on the lower pieces. The kickers and their attachments to the center structural column should be sized to support the dead load of the upper column cover pieces.

4) Place a bead of urethane adhesive on the top of the 2" wide top flange on the lower pieces. Install both upper column cover pieces by following steps 1-6 in the SINGLE HIGH INSTALLATION.

#### PATCHING AND JOINT FINISHING

1) For joint finishing and patching of imperfections, FCBP recommends the finishing system made by West Systems:

- Epoxy Resin 105
- Hardener (209 Extra Slow, 206 Slow, or 209 Fast)
- Low Density Filler 407

2) To patch dents, dings, and imperfections after the GRC has been primed, "Exterior Patch-N-Paint" made by Custom Building Products may be used. This light weight spackling compound may be applied with a putty knife or similar tool. It can be sanded in 15-20 minutes. It can be painted in 20-30 minutes with an oil based paint or primer.

#### PATCHING AND JOINT FINISHING

1) GRC column covers should be stored away from dirt and mud. Exterior columns are part of a "system" and should be protected from the elements as much as possible until completely finished.

2) If the column covers are delivered in wooden crates or frames, leave them in their containers until you are ready to begin installation.

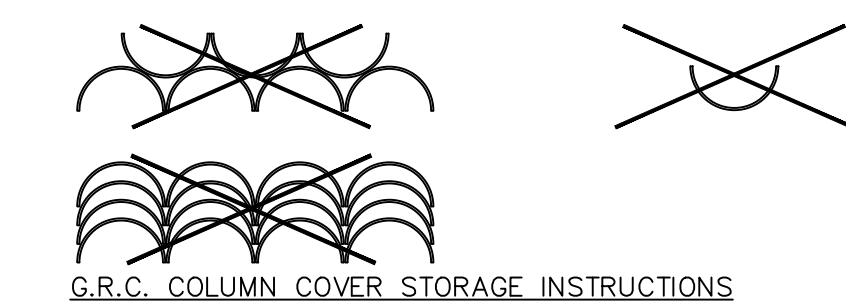
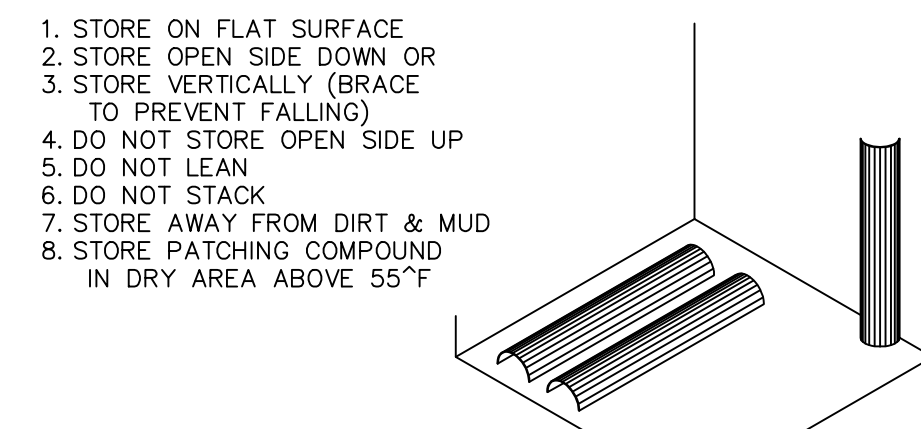
3) Store containers on level ground or pavement.

4) If the column covers are delivered loose, store in a completely horizontal position or as close to a vertical position as possible.

5) If stored in a horizontal position the pieces should be stored open side down. Pieces should not be stacked on top of each other. In fact, any form of applied weight to the top side will cause the pieces to "open" up.

6) If stored in a vertical position the pieces should be adequately braced to prevent them from toppling over.

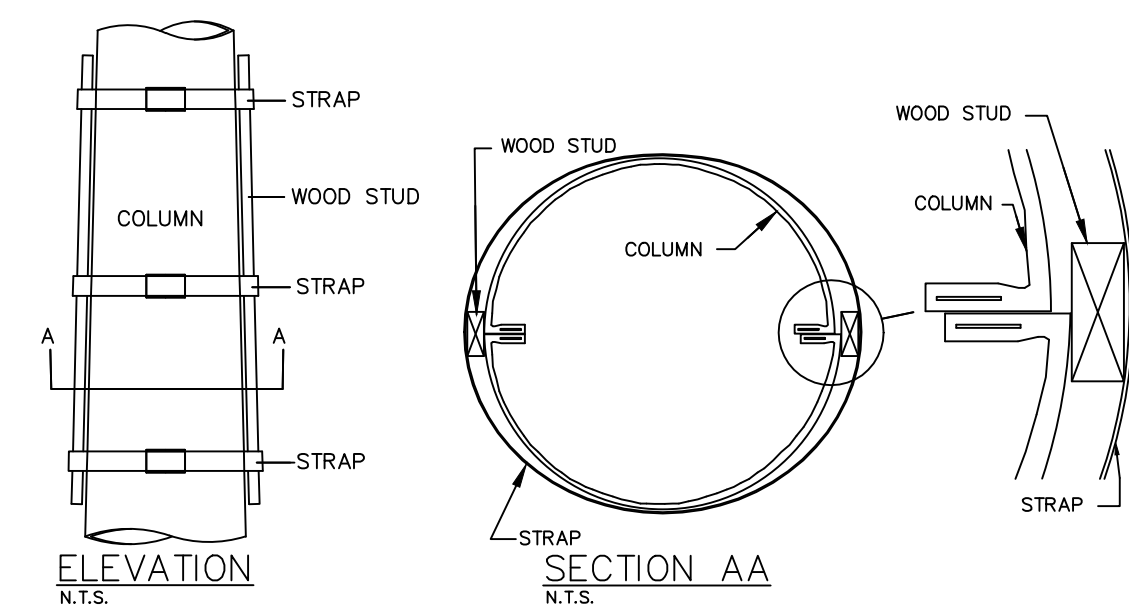
#### GRC COLUMN COVERS



G.R.C. COLUMN COVER STORAGE INSTRUCTIONS

**NOTE:**  
All column covers must be primed with a primer prior to receiving decoration. More than one coat of primer may be required. Sanding after application of primer may be required. FCBP recommends the following two primers:  
~ Loxon Conditioner (Masonry Coatings Systems) in clear or in white. Available at Sherwin Williams (Sherwin Williams brand)  
~ Tuf Top PSC Sealer & Chalk Binder. Available at Duron paint stores or contact: Marine Industrial Paint Co., Inc., 4590 60th Avenue, N., St. Petersburg, FL 33714 (727) 527-3382 ~ (727) 521-1405 (Fax)

**GRC Column Covers Must Be Vented at the Top & Bottom. Be Sure To Follow Notes Details & Instructions on Shop Drawings. Failure to Adequately Vent GRC Column May Result in Paint Delamination, Joint Splitting & Material Deterioration.**



### SHEET INDEX

SHEET NUMBER	DESCRIPTION
F0	INDEX SHEET - G.R.C.
F1	G.R.C. COLUMN COVER ELEVATION & DETAILS

### KEY NOTES

- NOTE:** ALL BLOCKING MEMBERS SUPPLIED BY OTHERS SHOULD BE PRESSURE TREATED WHEN APPLICABLE (TYPICAL THROUGHOUT PROJECT)
- SHIM BLOCKING AT ALL JOINTS WITH TYPICAL SCREW ATTACHMENTS - DEPTH MAT VARY - AS NEEDED - TYP. (BY OTHERS)
  - APPLY CONTINUOUS PAINTABLE CAULK (PER PROJECT SPECS) AT ALL JOINTS AS SHOWN, BEFORE INSTALLING THE NEXT PART ("L" SIDE OF ADJACENT PART). MAKING SURE TO GET FULL COVERAGE OF SEALANT TO ASSIST WITH OVERALL WEATHERTIGHT CONDITIONS. FIELD STANDARD WEATHERTIGHT CONSTRUCTION SHOULD STILL BE OBSERVED. THIS TYPE OF ATTACHMENT IS NOT TO BE CONSIDERED AS "WEATHERPROOFING" FIELD STANDARD AND APPROVED CONSTRUCTION METHODS ARE STILL TO BE OBSERVED.
  - PRE-DRILL, C/SINK, No. 12 CORROSIVE RESISTANT SCREWS AT LOCATIONS INDICATED. FINISH FLUSH AND SMOOTH - WHERE OCCURS - TYPICAL (ALL SCREWS ARE PLACED AT 10" ON CENTER - MAXIMUM - TYPICAL) (BY OTHERS)
  - DASHED LINE INDICATES FACE OF SOLID - RIGID - STRUCTURALLY SOUND INTERNAL FRAMING SYSTEM - TYP. ALL NECESSARY CALCULATIONS AND INFORMATION NEEDED TO PASS ALL APPLICABLE CODES AND DEPARTMENTS OF RECORD ARE TO BE BY OTHERS UNLESS PROVISIONS ARE SPECIFICALLY MADE CONTRACTUALLY TO PROVIDE ADDITIONAL SERVICE.
  - TYPICAL SCREWS AT 10" ON CENTER.
  - TYPICAL SCREWS AT JOINTS ONLY.
  - TYPICAL SCREWS AND BLOCKING TO PULL "Z" SIDE OF PART TO "L" SIDE OF PART.
  - FINISH FLUSH AND SMOOTH - TYPICAL (BY OTHERS)
  - CONTINUOUS SEALANT AND/OR BACKER ROD - TYPICAL (BY OTHERS)
  - FIELD CUT TO FIT AS REQUIRED (BY OTHERS)
- REQUEST FOR INFORMATION:** THIS SYMBOL MAY BE PUT ON A DRAWING TO BRING ATTENTION TO AN RFI THAT HAS BEEN ANSWERED. IF SO THE CORRESPONDING RFI NO. WILL APPEAR INSIDE SYMBOL.
- RFI NO. PREVIOUSLY SENT TO CLIENT
- DURING THE SUBMITTAL PROCESS TO EXPEDITE APPROVAL THIS SYMBOL MAY BE PLACED WITHOUT ANY REFERENCE NUMBER TO BRING ATTENTION TO A QUESTION THAT NEEDS AN ANSWER TO. OR A POSSIBLE FIELD CONDITION THAT NEEDS LOOKING AT. IF THESE TWO LATTER ITEMS OCCUR A SMALL FOOTNOTE WILL BE REFERENCED ON THAT SPECIFIC SHEET ALONG WITH THIS SYMBOL.**
- FOOTNOTE No.  
CORRESPONDING SHEET No.

### PHYSICAL PROPERTIES

#### GLASS-FIBER REINFORCED CEMENT (GRC)

- First Class Building Products (FCBP) manufactures Glass Fiber Reinforced Cement (GRC) using silica sand. It has a design thickness of 7/16" (unless otherwise noted) and a cured weight at this thickness of 3.5 psf. Parts will be thicker (and heavier) as required during production process.
- Wood Braces are placed as required by FCBP to insure stability during transit and handling. Wood braces are to be removed by the installer as required.
- All surface imperfections may not be detected prior to shipment. Sand or patch as required.
- Only exposed surfaces are to be considered smooth. Non-exposed surfaces will vary and may require shimming or grinding.
- All GRC surfaces to be painted must be primed with one (or more) coats of a high quality exterior primer. FCBP recommends the following two primers:
  - Loxon Conditioner (Masonry Coatings Systems) in clear or in white. Available at Sherwin Williams (Sherwin Williams Brand)
  - Tuf Top PSC Sealer and Chalk Binder. Available at Duron paint stores or contact: Marine Industrial Paint Company, Inc. 4590 60th Avenue, N. St. Petersburg, FL 33714 (727) 527-3382 (727) 521-1405 (fax)
- FCBP recommends the use of flat paint or textured coatings to cover GRC products. FCBP does not recommend the use of any other type of decoration.
- If a non-recommended decoration is to be used, the painter must apply multiple coats of the recommended primer and sand between each coat.
- If FCBP products are subjected to critical lighting (artificial or natural), the painter must apply multiple coats of the recommended primer and sand between each coat.
- All parts will be drafted as required for mold extraction. This may not be depicted in all details.
- All edges will be eased.
- A non-hardening urethane based adhesive should be used at all attachment points and abutting flanges.
- All shims, framing, screws, adhesive, tape, hanger wire, etc. to be furnished by installer.
- West systems finishing materials to be furnished by installer.
- MATERIAL TOLERANCES**

Thickness (Unspecified on Drawings)	+Unlimited, -1/8"
Control Thickness (Specified on Drawings)	+1/16", -1/4"
Bow	+/- 1/4" in 10'-0"
Warp or Twist	+/- 1/4" in 10'-0"
Piece Length	+/- 1/4"
Diagonal	+/- 1/4"
Cross Section Dimensions	+/- 1/16" of any segment
	+/- 1/8" overall

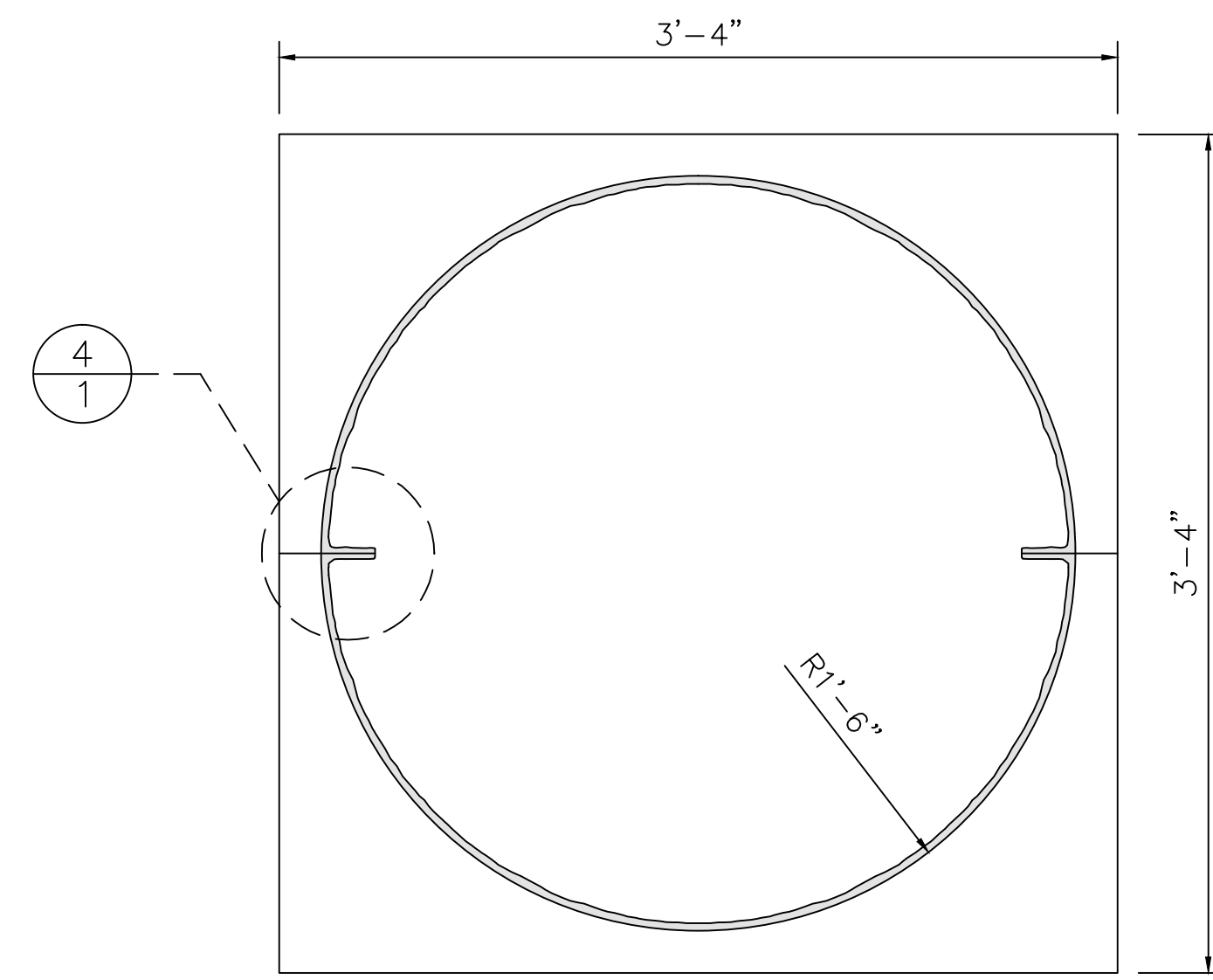
HOLIDAY INN EXPRESS  
Paducah, KY

FIRST CLASS BUILDING PRODUCTS  
3600 DALLAS HWY. • SUITE 230-387 • MARIETTA, GA 30064  
Phone 770.514.8141 • Fax 770.514.0731

DRAWN BY:  
JDB  
CHECKED BY:  
DATE:  
MAY 7, 2013  
SCALE:

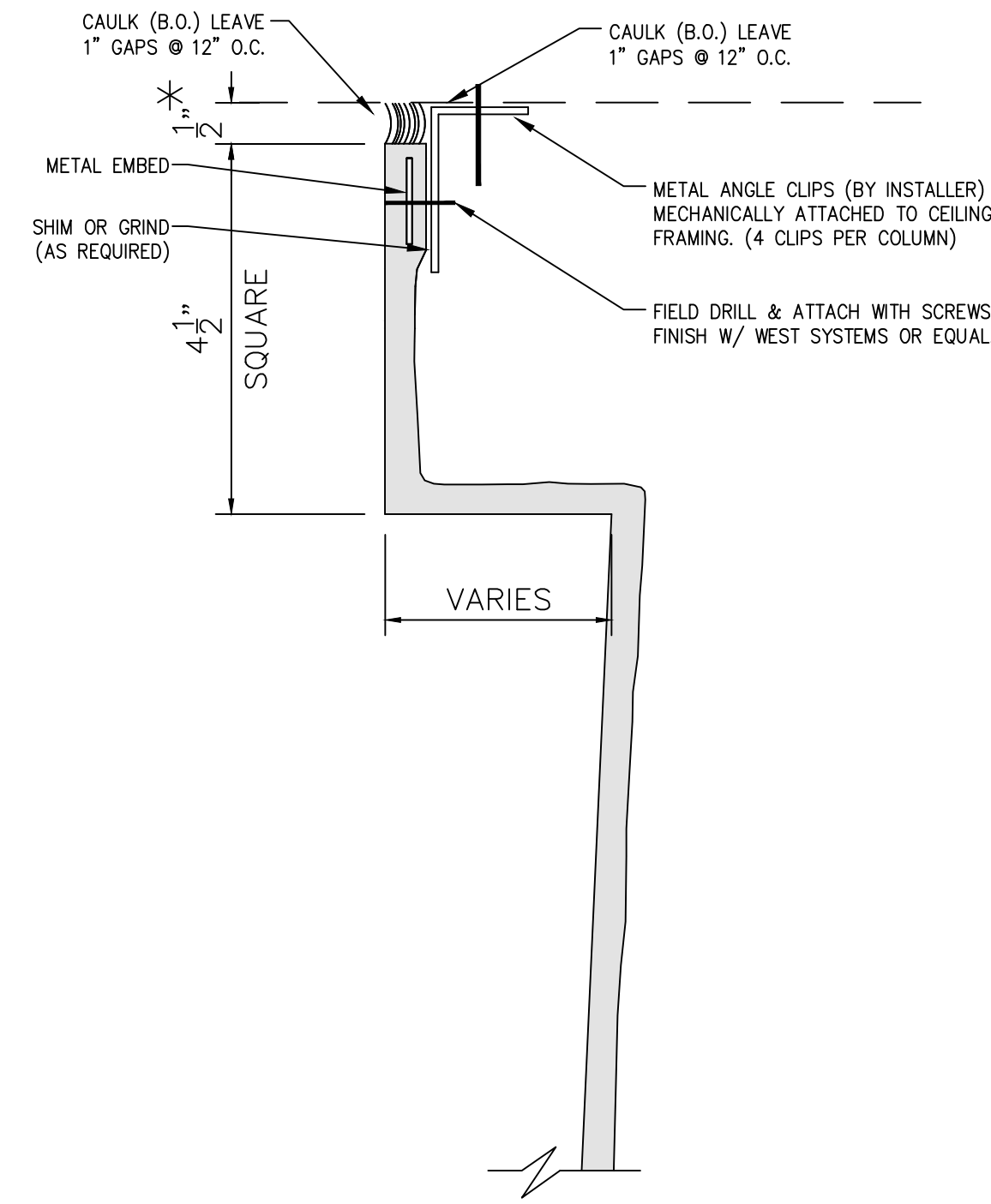
CAD FILE NO.  
P4709

**F0**

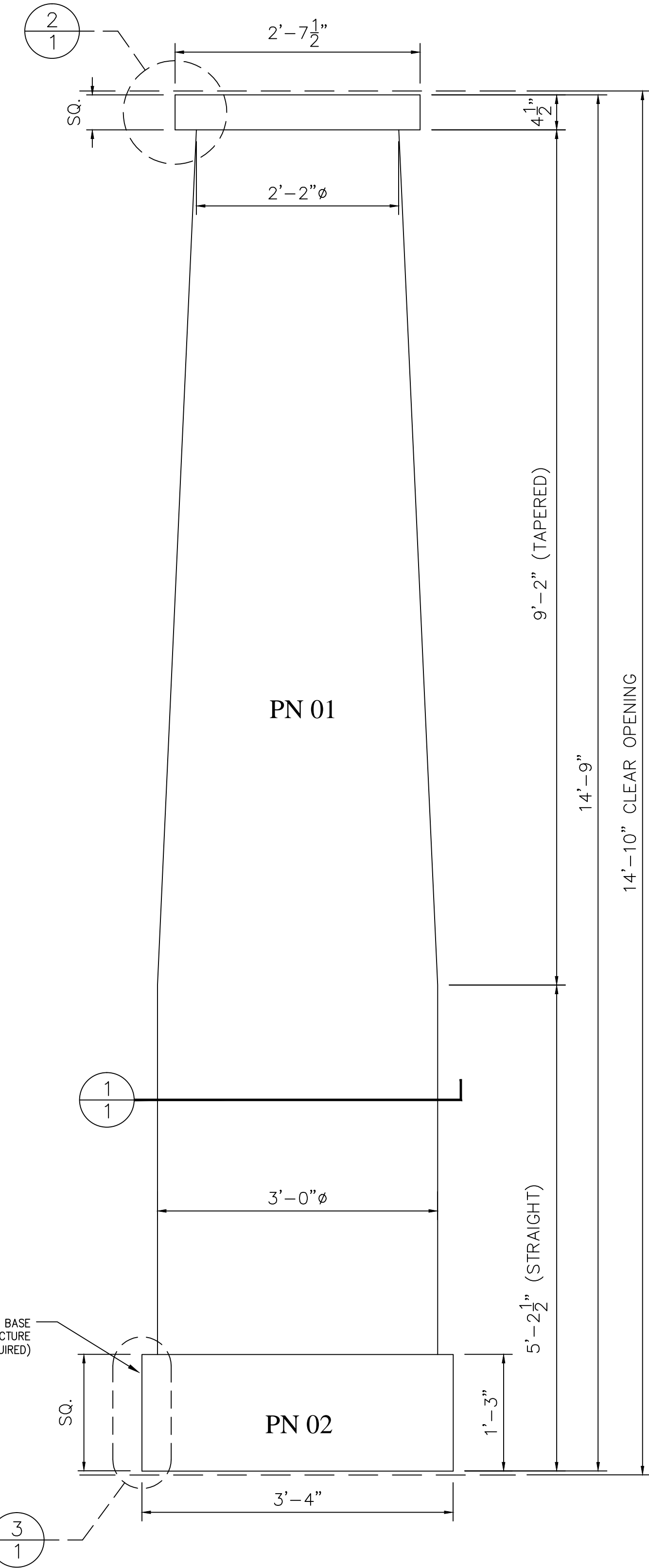


1/1 GRC COLUMN COVER SECTION  
SCALE: 1/2"=1'-0"

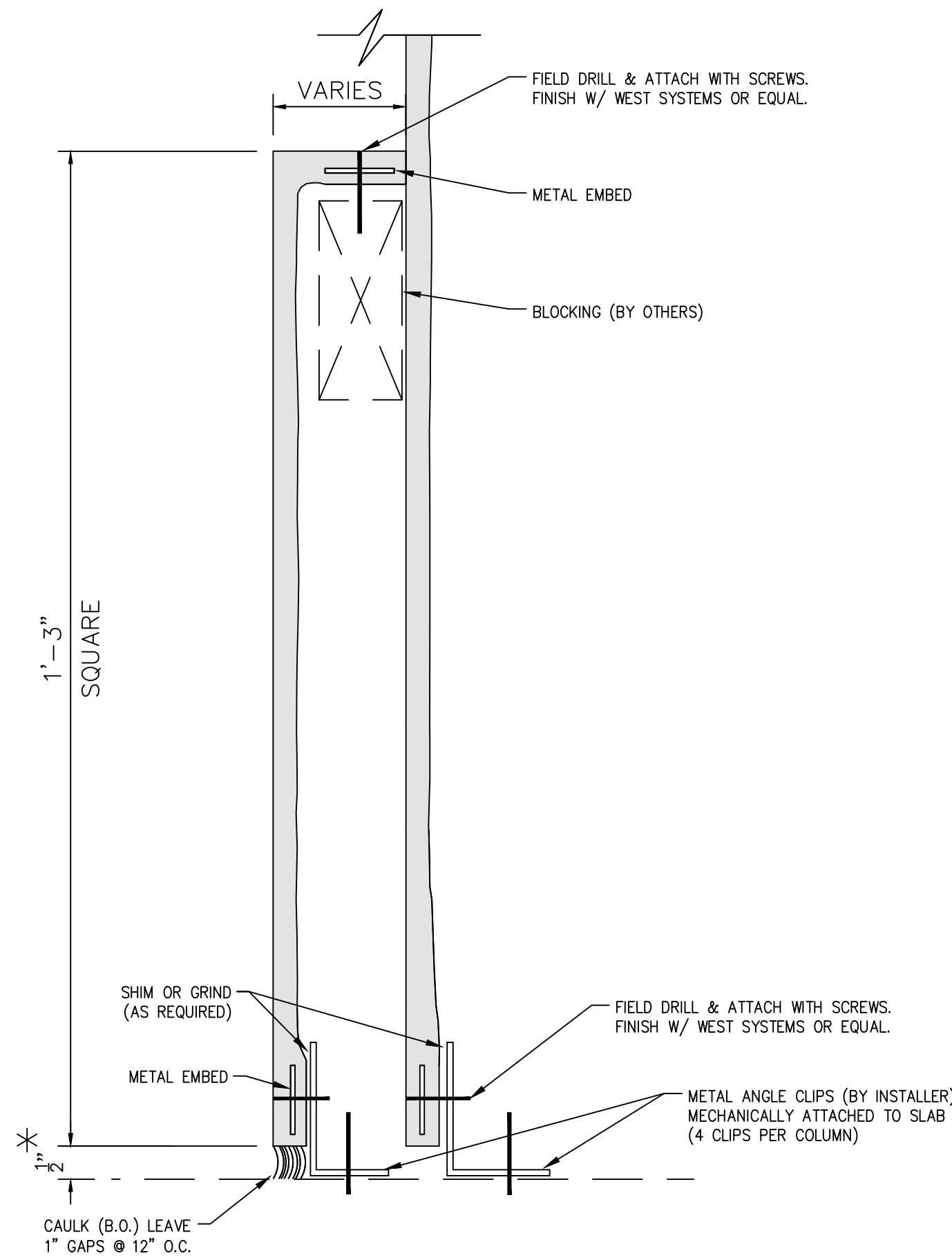
PLEASE VERIFY ALL DIMENSIONS



2/1 GRC COLUMN COVER- CAPITAL DETAIL  
SCALE: 6"=1'-0"

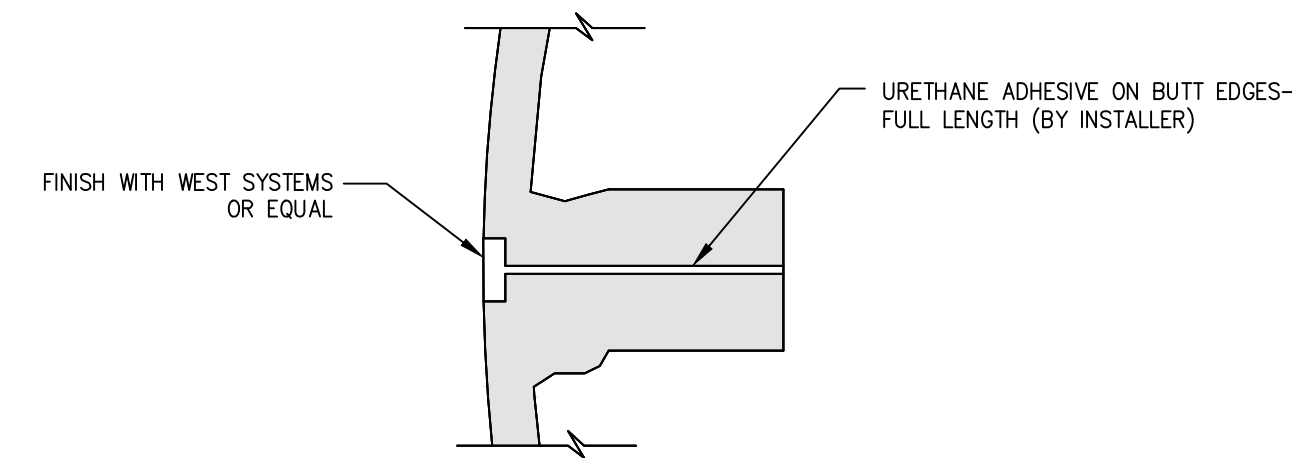


GRC COLUMN COVER PN01 ELEVATION  
SCALE: 1"=1'-0"

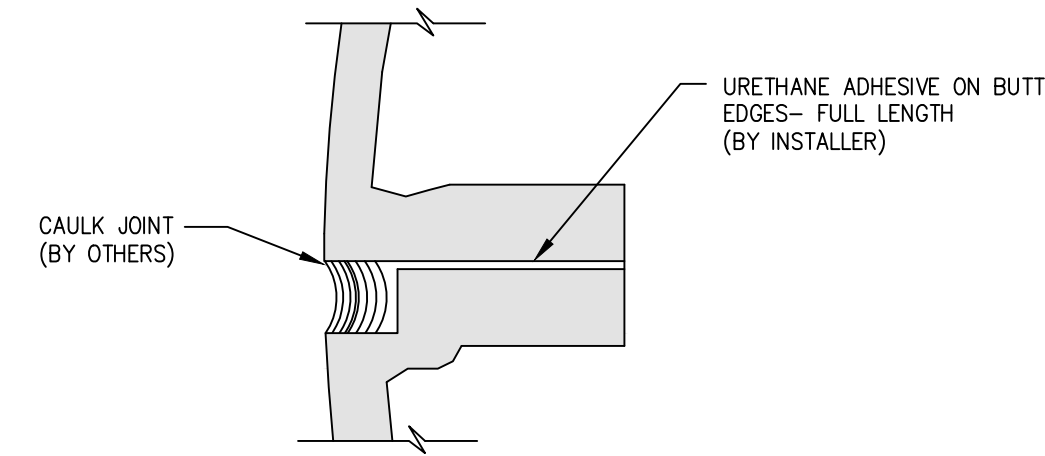


3/1 GRC COLUMN COVER WRAP-AROUND BASE DETAIL  
SCALE: 6"=1'-0"

CUSTOMER: PLEASE SELECT OPTION "A" OR OPTION "B"



OPTION "A"  
4A/1 GRC VERTICAL SEAM DETAIL- FINISHED JOINT  
SCALE: 1"=1'-0"



OPTION "B"  
4B/1 GRC VERTICAL SEAM DETAIL- CAULK JOINT  
SCALE: 1"=1'-0"

FIELD CUT 360° BASE TO FIT STRUCTURE (AS REQUIRED)

\*"CONTROL THICKNESS"  
MAXIMUM MATERIAL THICKNESS (+1/16")  
MATERIAL WILL BE THINNER @ SOME LOCATIONS AND MAY NEED TO BE SHIMMED.

SCHEDULE

GRC COLUMN COVERS W/ CAPITALS: 36" THRU 26"φ x 14'-9" HIGH		x360'
QUANTITY	PART NO.	
16 PCS	PN 01 SHAFT W/ CAPITAL	(180')
16 PCS	PN 02 WRAP-AROUND BASE	(180')

REVISION NO.	BY

HOLIDAY INN EXPRESS  
Paducah, KY

FIRST CLASS BUILDING PRODUCTS

3600 DALLAS HWY. • SUITE 230-387 • MARIETTA, GA 30064  
Phone 770.514.8141 • Fax 770.514.0731

DRAWN BY:	JDB
CHECKED BY:	
DATE:	MAY 7, 2013
SCALE:	
CAD FILE NO.	P4709

**F1**

DRAWING 2 OF 2