

NIXON PRESIDENTIAL LIBRARY AND MUSEUM YORBA LINDA, CA

REVISION NO.	BY:

GENERAL NOTES

- INTENTION : SHOP DRAWINGS ARE INTENDED TO COMPLY WITH ALL LAWS, CODES, ORDINANCES AND REGULATIONS OF THE LEGALLY CONSTITUTED BODY HAVING JURISDICTION OF PROJECT LOCALITY.
- ALL CONSTRUCTION IMPLIED BY THE SHOP DRAWINGS SHALL CONFORM TO THE APPLICABLE CODES AS CURRENTLY REFERENCED AND/OR ENFORCED BY THE AGENCY HAVING JURISDICTION OF THIS PROJECT, UNLESS MORE STRINGENT REQUIREMENTS ARE INDICATED IN THE SHOP DRAWINGS. IT IS THE RESPONSIBILITY OF THE GENERAL CONTRACTOR AND/OR THE INSTALLER TO SECURE ALL APPROVALS AND PERMITS WITH THE GOVERNING AGENCY FOR ALL WORK AS NOTED HEREIN.
- SCOPE : ALL TRADES SHALL FURNISH ALL LABOR, EQUIPMENT, MATERIALS AND PERFORM ALL WORK NECESSARY, INDICATED, REASONABLY INFERRED OR REQUIRED BY ANY AGENCY HAVING LEGAL JURISDICTION, TO COMPLETE THEIR SCOPE OF WORK, ON A TIMELY BASIS, FOR A COMPLETE AND PROPER FINISHED JOB.
- THE CONTRACTOR SHALL VERIFY, IN THE FIELD, ALL CONDITIONS AND DIMENSIONS OF OTHERS WORK BEFORE STARTING APPLICATION OF FIBER REINFORCED PRODUCTS BY FIRST CLASS BUILDING PRODUCTS (FCBP), THE ARCHITECT OF RECORD AND THE ENGINEER OF RECORD SHALL BE NOTIFIED IMMEDIATELY IF ANY DISCREPANCIES ARE FOUND NOT CONFORMING TO APPROVED SHOP DRAWINGS AND/OR ARCHITECTURAL / STRUCTURAL DRAWINGS OF RECORD.
- UNIT MEMBER LOCATIONS ARE SHOWN ON ELEVATIONS REFERENCING THE PART NUMBER. THE PART NUMBERS REFLECT THE ARCHITECTURAL SHOP DRAWING NUMBER AS THE PART IS DETAILED. ELEVATIONS, SECTIONS AND DETAILS ARE REFERENCED ON THESE SHOP DRAWINGS AS RELATES TO THE CONTRACT DOCUMENTS. SHELL THICKNESS IS A NOMINAL 3/16" UNLESS NOTED OTHERWISE.
- MACHINE BOLTS AND SCREWS AS SPECIFIED BY THESE SHOP DRAWINGS ARE TO CONFORM TO EITHER THE PROJECT SPECIFICATIONS OR ASTM A307, WHICHEVER IS MORE STRINGENT.
- ANCHORAGE LOCATION AND DETAILS, ARE SHOWN FOR REFERENCE AND ARE TO BE REVIEWED BY THE PROJECT ARCHITECT AND THE PROJECT ENGINEER FOR CONFORMANCE TO ALL PERTINENT STRUCTURAL REQUIREMENTS AND REGULATIONS THAT GOVERN. ALL ANCHORAGE AND METHODS OF ATTACHMENT IS TO BE NON-CORROSIVE (FCBP RECOMMENDS STAINLESS STEEL OR APPROVED EQUALS; SEE PROJECT SPECIFICATIONS). SCREW ATTACHMENTS ARE TO BE A MAXIMUM OF 10" ON CENTER UNLESS NOTED OTHERWISE. TYPES OF ANCHORS INDICATED ON THE DRAWINGS ARE FOR REFERENCE ONLY AND ARE THE RESPONSIBILITY OF THE INSTALLER. FCBP IS A MATERIAL MANUFACTURER/ SUPPLIER AND NOT RESPONSIBLE FOR INSTALLATION OR MEANS AND METHODS ASSOCIATED THERETO.
- ALL INSTALLATION AND/OR WORK ASSOCIATED WITH THE INSTALLATION AS INDICATED, WITHIN THESE SHOP DRAWINGS, IS TO BE BY THE GENERAL CONTRACTOR, OR A SUB-CONTRACTOR AS SELECTED BY, AND CONTRACTED WITH, THE GENERAL CONTRACTOR (REFERENCE THE PROJECT SPECIFICATIONS FOR INSTALLER REQUIREMENTS).
- INSTALLATION SHALL BE PERFORMED IN ACCORDANCE WITH MANUFACTURER'S RECOMMENDATIONS. IT IS THE RESPONSIBILITY OF THE INSTALLER TO MEET LOCAL BUILDING CODES.
- ALL BOLT-TYPE FASTENERS SHALL HAVE NUTS AND WASHERS OF APPROPRIATE SIZE AND CONFIGURATION FOR THE INTENDED INSTALLATION. ALL FASTENERS SHALL BE INSTALLED WITH A MINIMUM EDGE DISTANCE OF 1.5 TIMES THE DIAMETER OF SUBJECT FASTENER. ALL FASTENERS SHALL BE PLACED A MAX. OF 2" FROM THE CORNER OF ANY PART AS SUPPLIED BY FCBP ASSOCIATES.
- CONCEALED INTERNAL FRAMING COMPONENTS AND DETAILS AS SHOWN HEREIN ARE FOR REFERENCE ONLY. ALL FRAMING COMPONENTS (PRIMARY SUB-STRUCTURE AND SECONDARY FRAMING) ARE TO BE PER THE CONTRACT DOCUMENTS.
- ALL FRAMING TO BE BY OTHERS UNLESS NOTED OTHERWISE, OR AS CONTRACTUALLY ARRANGED BETWEEN THE INSTALLER AND THE GENERAL CONTRACTOR.
- ALL FIBER REINFORCED MATERIAL IS SUPPLIED UNFINISHED UNLESS NOTED OTHERWISE HEREIN. ALL FRP PARTS ARE MANUFACTURED WITH A WHITE GEL-COAT FINISH THAT IS READY TO BE PRIMED AND PAINTED IN THE FIELD BY OTHERS. ANY SPECIFIC FINISHES (FACTORY PAINT, AGGREGATES, TEXTURES) ARE NOTED BELOW.
 - SEE INDIVIDUAL PART DRAWINGS FOR FINISH TYPE LOCATIONS.
 - A. SMOOTH (UNFINISHED)
- THE RELATIONSHIP OF THE FRP/FRG FABRICATED PARTS TO THE SUPPORTING CONSTRUCTION AS INSTALLED BY OTHER TRADES IS SHOWN ON PARTS SECTIONS AND DETAIL DRAWINGS FOR REFERENCE ONLY.
- ALL RELEVANT RELATIONSHIPS TO STRUCTURAL, MECHANICAL, ELECTRICAL AND PLUMBING ARE SHOWN IN THE CONTRACT DOCUMENTS FOR REFERENCE ONLY. INSTALLER TO FIELD VERIFY ALL CONDITIONS REFERENCED HEREIN AND NOTIFY CONTRACTOR IN WRITING OF ANY AND ALL ISSUES THAT CONTRADICT THE CONTRACT DOCUMENTS.
- JOINT CONDITIONS ON CONTINUOUS RUNNING PARTS, OR MULTIPLE LAYER PARTS, ARE SHOWN ON SHOP DRAWINGS. THE LOCATIONS OF THE JOINTS ARE SHOWN ON THE ELEVATIONS, SECTIONS OR LAYOUT PLAN FOR THE CONTINUOUS RUNNING PARTS. MULTIPLE LAYER PARTS ARE SHOWN ON THE PARTS SECTION OR DETAIL DRAWING. THE FINISHING DETAILS AND SEALANT INFORMATION SHOULD BE AS REFERENCED IN THE PROJECT SPECIFICATIONS AND CONTRACT DOCUMENTS.
- THE CORRESPONDING PART NUMBERS AS THEY ARE SHOWN ON THESE SHOP DRAWINGS WILL BE INDICATED ON THE ACTUAL PARTS SUPPLIED TO THE FIELD. THE INSTALLER IS TO REFERENCE ALL PART NUMBERS ON THE SHOP DRAWINGS IN ORDER TO LOCATE, POSITION AND INSTALL EACH INDIVIDUAL PART. IT IS THE INTENT OF FCBP TO INCLUDE ANY AND ALL PERTINENT INFORMATION ON THESE DRAWINGS AS NECESSARY TO COMPLETE FABRICATION OF THE INDICATED PARTS. ANY AND ALL ERRORS AND/OR OMISSIONS NOTED THAT ARE DEEMED IMPORTANT AND NECESSARY, ARE TO BE INDICATED IN WRITING DURING THE SHOP DRAWING SUBMITTAL PROCESS.
- LIFTING AND ERECTION DETAILS FOR SPECIAL CONDITIONS ARE SHOWN ON THE SHOP DRAWINGS FOR APPLICABLE PARTS. ALL OTHER CONDITIONS CAN BE LIFTED WITH THE USE OF NYLON STRAPS OR BY HAND IN ACCORDANCE WITH MANUFACTURERS PRACTICES AS REFERENCED IN "GUIDELINES AND RECOMMENDED PRACTICES FOR FIBERGLASS REINFORCED PLASTIC ARCHITECTURAL PRODUCTS" AS ISSUED BY THE COMPOSITE FABRICATORS ASSOCIATION (NYLON STRAPS MUST BE RATED FOR APPLICABLE LOADS).
- FRP WILL BE FABRICATED IN COMPLIANCE WITH STANDARDS SET BY THE CFA IN "GUIDELINES AND RECOMMENDED PRACTICES FOR FIBERGLASS REINFORCED PLASTIC ARCHITECTURAL PRODUCTS".
 - FRG WILL BE FABRICATED IN COMPLIANCE WITH STANDARDS SET BY THE CFA IN "GUIDELINES AND RECOMMENDED PRACTICES FOR FIBERGLASS REINFORCED GYPSUM ARCHITECTURAL PRODUCTS".

- ANY PROPOSED CHANGES IN THE SCOPE OF WORK, OR VARIATION TO CONDITIONS AS INDICATED ON THESE SHOP DRAWINGS, PURSUANT TO APPROVAL OF SAID SHOP DRAWINGS, ARE TO BE PROCESSED IN WRITING AS CHANGE ORDERS, CONSTRUCTION CHANGE DIRECTIVES, R.F.I.'s, ETC.. FCBP WILL ONLY PROCEED WITH ANY REVISIONS PURSUANT TO RECEPTION OF WRITTEN DOCUMENTATION AS ISSUED BY THE CONTRACTOR.
- THE INSTALLER/CONTRACTOR SHALL PERFORM NO PORTION OF THE WORK REQUIRING SUBMITTAL AND REVIEW OF SHOP DRAWINGS, PRODUCT DATA, SAMPLES OR SIMILAR SUBMITTALS, UNTIL THE RESPECTIVE SUBMITTAL(S) HAVE BEEN APPROVED BY THE ARCHITECT AND GENERAL CONTRACTOR. SUCH WORK WILL BE IN ACCORDANCE WITH APPROVED SUBMITTALS.
- APPROVAL OF THESE SHOP DRAWINGS, PRODUCT DATA, SAMPLES AND SIMILAR SUBMITTALS, REPRESENTS THAT THE CONTRACTOR HAS DETERMINED AND VERIFIED MATERIALS, FIELD MEASUREMENTS, AND FIELD CONSTRUCTION CRITERIA RELATED THERETO AND HAS CHECKED AND COORDINATED WITHIN SUCH SUBMITTALS WITH THE REQUIREMENTS OF THE CONTRACT DOCUMENTS.
- FRP PRODUCTS AS SUPPLIED BY FCBP ARE NOT INTENDED OR WARRANTED AS A WATER PROOFING MEMBRANE, ALTHOUGH WEATHER RESISTANT, MATERIAL SUPPLIED BY FCBP IS INTENDED TO BE USED AS A DECORATIVE ARCHITECTURAL FEATURE ONLY.
- NO CHANGES ARE TO BE MADE TO THESE DRAWINGS WITHOUT THE KNOWLEDGE AND WRITTEN CONSENT OF FCBP.
- ANY AND ALL DAMAGES OR DISCREPANCIES OF MATERIAL SHIPPED TO THE SITE MUST BE REPORTED IN WRITING TO FCBP WITHIN 48 HOURS OF DELIVERY.
- FCBP IS NOT AN ENGINEERING COMPANY AND DOES NOT OFFER SAID PROFESSIONAL SERVICES. ANY STRUCTURAL REVIEW CERTIFICATION REQUIREMENTS MUST BE DONE THROUGH A LICENSED STRUCTURAL ENGINEER.
- THE CONTRACTOR AND / OR THE INSTALLER IS RESPONSIBLE FOR THE PROPER STORAGE AND PROTECTION OF THE MATERIAL ON-SITE. IMPROPER STORAGE AND PROTECTION MAY RESULT IN WARPING, BOWING, PHYSICAL DAMAGE AND/OR CONDITIONS THAT WILL MAKE THE PRODUCT UNSUITABLE FOR USE.
- CLEANUP: CLEAN SOILED FRP SURFACES WITH DETERGENT AND WATER, USING SOFT FIBER BRUSHES AND SPONGES, AND THOROUGHLY RINSED WITH CLEAN WATER.

PHYSICAL PROPERTIES

G F R G

DESCRIPTION: "GLASS FIBER REINFORCED GYPSUM"

- PRE MOLDED GRG PARTS ARE FABRICATED TO DETAILS AND DIMENSIONS SHOWN.
 - FINISHED PRODUCT SHALL CONFORM TO THE FOLLOWING STANDARDS:
- | PHYSICAL PROPERTIES OF FCBP GRG "FIBROCAL" | |
|--|--------------|
| WEIGHT | 2.0 lbs. psf |
| FLEXURAL STRENGTH | 4,192 psi |
| TENSILE STRENGTH | 1,340 psi |
| COMPRESSIVE STRENGTH | 5,800 psi |
| DENSITY | 110 lbs. pcf |
| HARDNESS (BARCOL) | 105 |
| FLAMMABILITY : | |
| FLAME SPREAD | 0 |
| SMOKE DEVELOPED | 0 |
| ASTM E8 | CLASS 1 |
| GLASS CONTENT | 38.7% |

- ALL PARTS TO CONTAIN SUPPORTS AS REQUIRED KEEPING WITHIN ALLOWABLE TOLERANCES.
- FINISH SURFACES SHALL BE TRUE OR TEXTURED ACCORDING TO DESIGN REQUIREMENTS.
- ALLOWABLE TOLERANCES:

DIMENSIONAL TOLERANCES:	± 1/8"
WALL THICKNESS:	NOMINAL 3/16"
OUT OF PLUMB:	± 1/8"
BOWING:	L-360 MAXIMUM

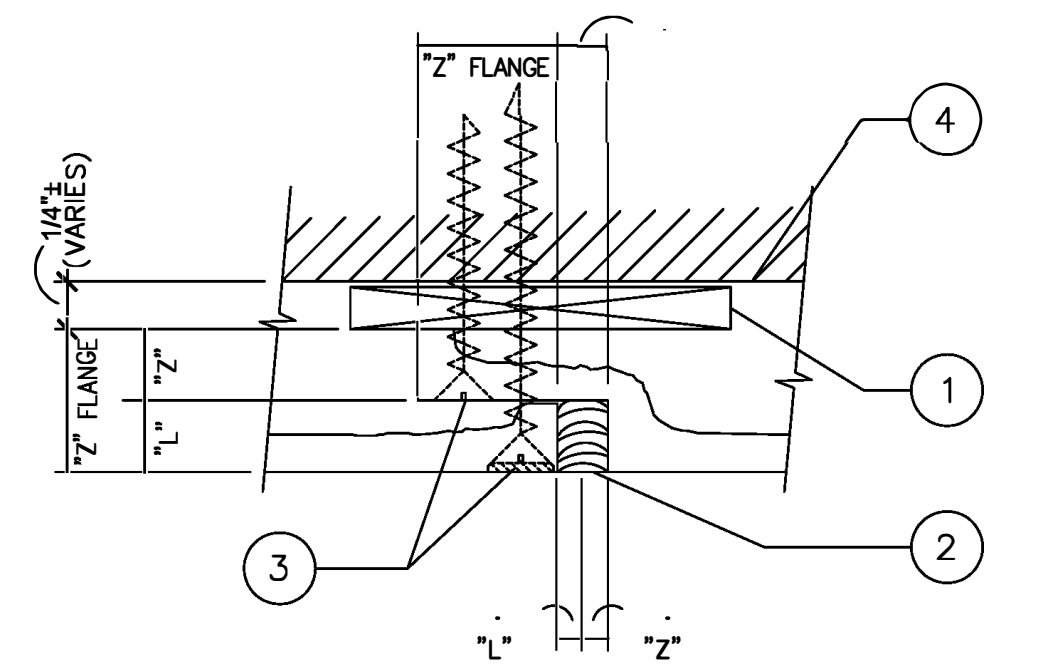
SHEET INDEX

SHEET NO.	DESCRIPTION
C1	PROJECT COVER SHEET
F1	DOME PLAN VIEW
F2	DOME ELEVATION
P1	GFRG DOME DETAIL

**NIXON PRESIDENTIAL
LIBRARY AND MUSEUM
YORBA LINDA, CA**

TYPICAL INSTALLATION INSTRUCTIONS

(FIELD CONDITIONS AND JOINT DIMENSIONS MAY VARY - INSTALLER IS TO DETERMINE AND BE RESPONSIBLE FOR APPLYING THESE GUIDELINES TO THESE VARYING CONDITIONS)



- SHIM BLOCKING AT "Z / L" JOINTS WITH TYPICAL SCREW ATTACHMENTS - DEPTH MAY VARY - AS NEEDED - TYPICAL (BY OTHERS)
- APPLY CONTINUOUS PAINTABLE CAULK (PER PROJ SPECS) AT ALL "Z" JOINTS AS SHOWN, MAKING SURE TO GET FULL COVERAGE OF SEALANT TO ASSIST WITH OVERALL WEATHER TIGHT CONDITIONS. FIELD STANDARD WEATHER TIGHT CONSTRUCTION SHOULD STILL BE OBSERVED. THIS TYPE OF ATTACHMENT IS NOT TO BE CONSIDERED AS "WEATHER-PROOFING". FIELD STANDARD AND APPROVED CONSTRUCTION METHODS ARE STILL TO BE OBSERVED.
- PRE-DRILL, C'SINK, No. 12 CORROSIVE RESISTANT SCREWS AT LOCATIONS INDICATED, FINISH FLUSH AND SMOOTH - WHERE OCCURS - TYPICAL (ALL SCREWS ARE PLACED AT 10" o.c. - MAXIMUM - TYPICAL) (BY OTHERS)
- DASHED LINE INDICATES FACE OF SOLID - RIGID - STRUCTURALLY SOUND SURFACE (BY OTHERS)

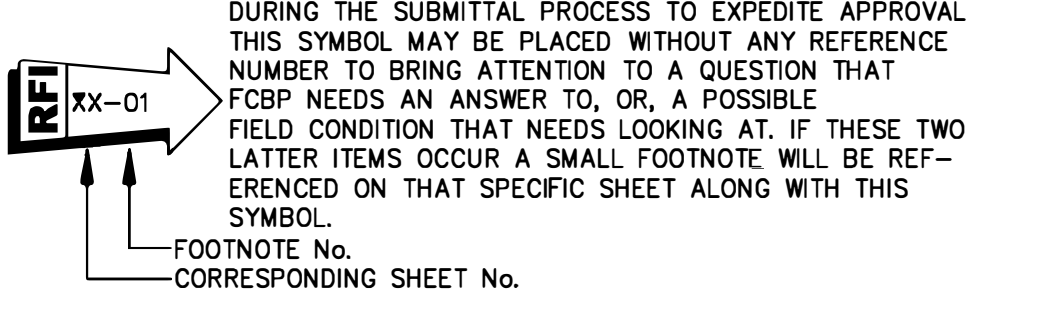
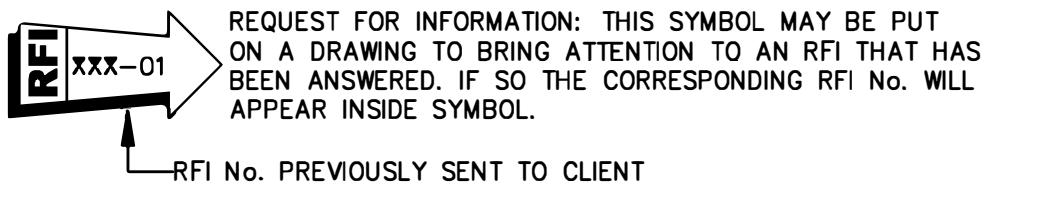
NOTE :

- ALL ATTACHMENT SCREWS ARE TO BE PRE-DRILLED AND CONTERSUNK . THIS WILL ENSURE THAT THE ATTACHMENT SCREW HEAD WILL IN NO WAY INTERFERE WITH SECURING ADJACENT PARTS FLUSH WITH EACH OTHER .
- SHIMS ARE USED TO MAINTAIN A "TRUE" AND / OR "FLUSH" SURFACE . SHIM SIZE , SPACING , AND FREQUENCY OF OCCURENCE WILL VARY ACCORDING TO FIELD CONDITIONS.
- DIMENSIONS SHOWN ARE FOR REFERENCE ONLY . REFER TO INDIVIDUAL PART DRAWINGS FOR SPECIFIC DIMENSIONAL SPECIFICATIONS - TYPICAL .

KEYNOTES

NOTE : ALL BLOCKING MEMBERS SUPPLIED BY OTHERS SHOULD BE PRESSURE TREATED WHEN APPLICABLE (TYPICAL THROUGHOUT PROJECT)

- SHIM BLOCKING AT JOINTS WITH TYPICAL SCREW ATTACHMENTS - DEPTH MAY VARY - AS NEEDED - TYP (BY OTHERS).
- APPLY CONTINUOUS PAINTABLE CAULK (PER PROJECT SPECS) AT ALL JOINTS AS SHOWN, MAKING SURE TO GET FULL COVERAGE OF SEALANT TO ASSIST WITH OVERALL WEATHER TIGHT CONDITIONS. FIELD STANDARD WEATHER TIGHT CONSTRUCTION SHOULD STILL BE OBSERVED. THIS TYPE OF ATTACHMENT IS NOT TO BE CONSIDERED AS "WEATHER-PROOFING". FIELD STANDARD AND APPROVED CONSTRUCTION METHODS ARE STILL TO BE OBSERVED.
- PRE-DRILL, C'SINK, No. 12 CORROSIVE RESISTANT SCREWS AT LOCATIONS INDICATED, FINISH FLUSH AND SMOOTH - WHERE OCCURS - TYPICAL (ALL SCREWS ARE PLACED AT 10" o.c. - MAXIMUM - TYPICAL) (BY OTHERS).
- DASHED LINE INDICATES FACE OF SOLID - RIGID - STRUCTURALLY SOUND INTERNAL FRAMING SYSTEM - TYP ALL NECESSARY CALCULATIONS AND INFORMATION NEEDED TO PASS ALL APPLICABLE CODES AND DEPARTMENTS OF RECORDS ARE TO BE BY OTHERS UNLESS PROVISIONS ARE SPECIFICALLY MADE CONTRACTUALLY WITH FCBP TO PROVIDE THIS ADDITIONAL SERVICE.
- TYPICAL SCREWS AT 10" o.c.
- TYPICAL SCREWS AT JOINTS ONLY.
- TYPICAL SCREWS AND BLOCKING TO PULL " Z " SIDE OF PART TO " L " SIDE OF PART.
- FINISH FLUSH AND SMOOTH - TYPICAL (BY OTHERS)
- CONT SEALANT AND/OR BACKER ROD - TYPICAL (BY OTHERS).
- FIELD CUT TO FIT AS NEEDED (BY OTHERS)
- PNEUMATIC, PIN HEAD NAILS AS NEEDED - TYP. (BY OTHERS)
- CON'T STRUCTURAL ADHESIVE (BY OTHERS)

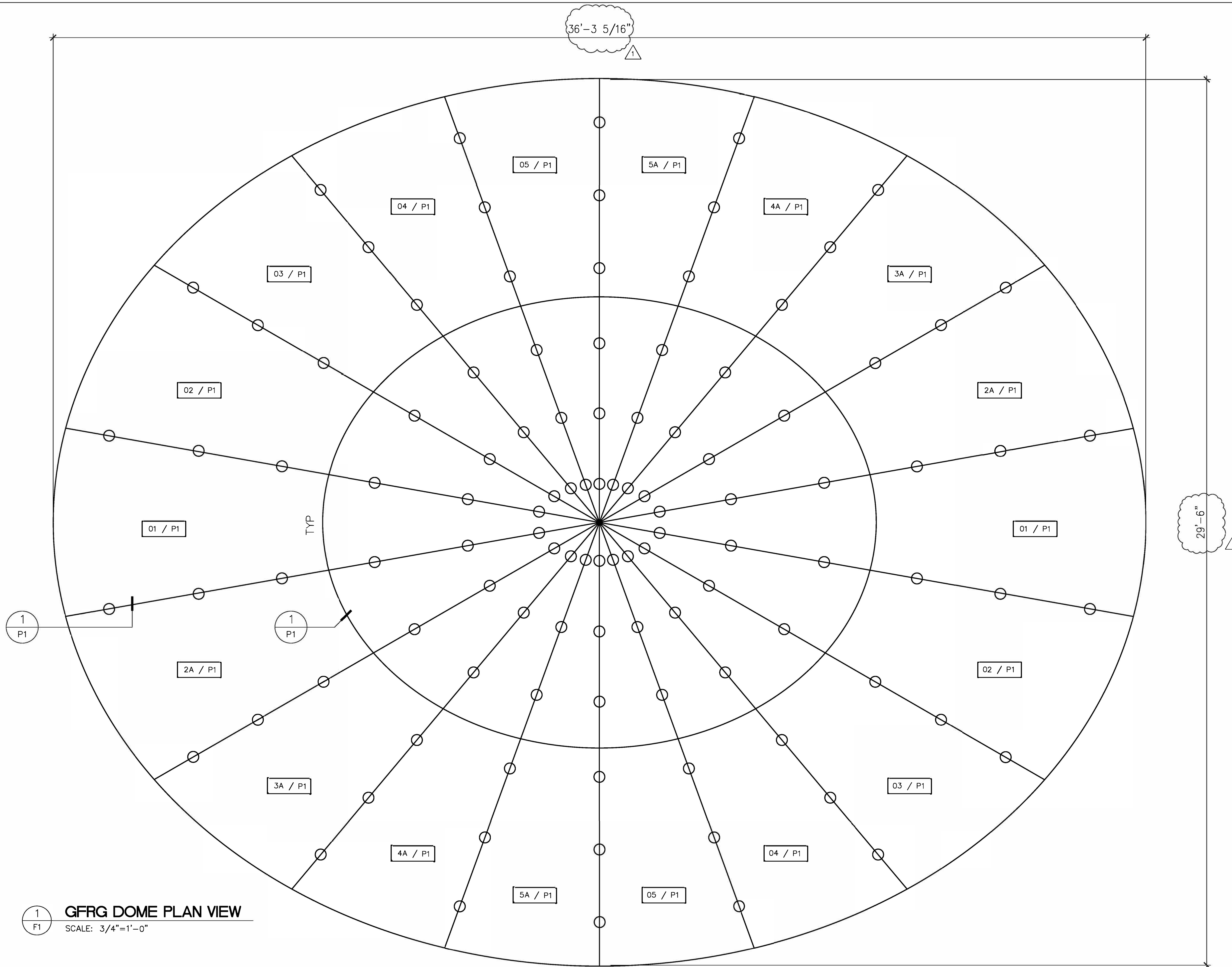


SUBMITTAL HISTORY

ISSUED FOR REVIEW	10.21.2015
REVISED FOR REVIEW	03.02.2016

FIRST CLASS BUILDING PRODUCTS
 3600 DALLAS HIGHWAY • SUITE 230-387
 MARIETTA, GEORGIA 30064 • USA
 Phone 770.514.8141 • Fax 770.514.0731

DRAWN BY:	TAN
CHECKED BY:	M.S.
DATE:	10.21.2015
SCALE:	
CAD FILE NO.	NIXON_C1.DWG
C1	
DRAWING 1 OF 4	



1 GFRG DOME PLAN VIEW
 F1 SCALE: 3/4"=1'-0"

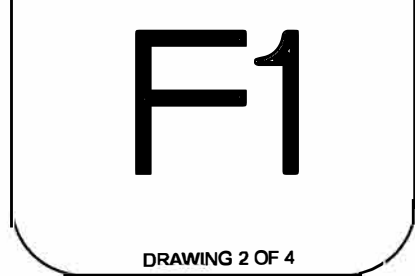
REVISION NO.	BY

FIRST CLASS BUILDING PRODUCTS

NIXON PRESIDENTIAL LIBRARY AND MUSEUM
YORBA LINDA, CA

3600 DALLAS HIGHWAY • SUITE 230-387
 MARIETTA, GEORGIA 30064 • USA
 Phone 770.514.8141 • Fax 770.514.0731

DRAWN BY:	TAN
CHECKED BY:	M.S.
DATE:	10.21.2015
SCALE:	AS SHOWN
CAD FILE NO.:	NIXON_F1.DWG



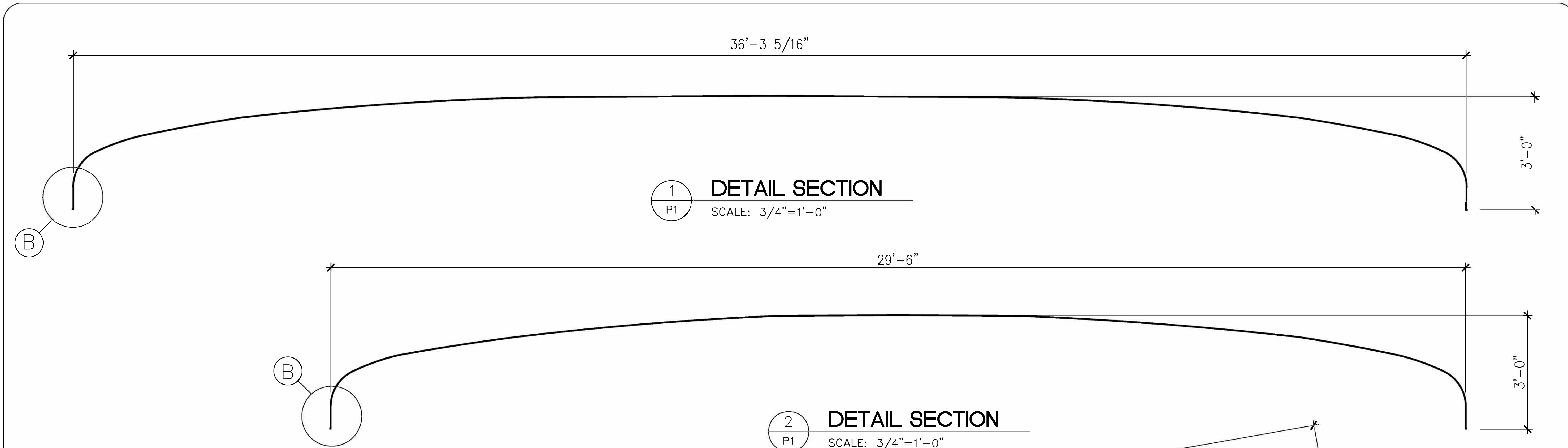
REVISION NO.	BY

NIXON PRESIDENTIAL
LIBRARY AND MUSEUM
YORBA LINDA, CA

FIRST CLASS BUILDING PRODUCTS

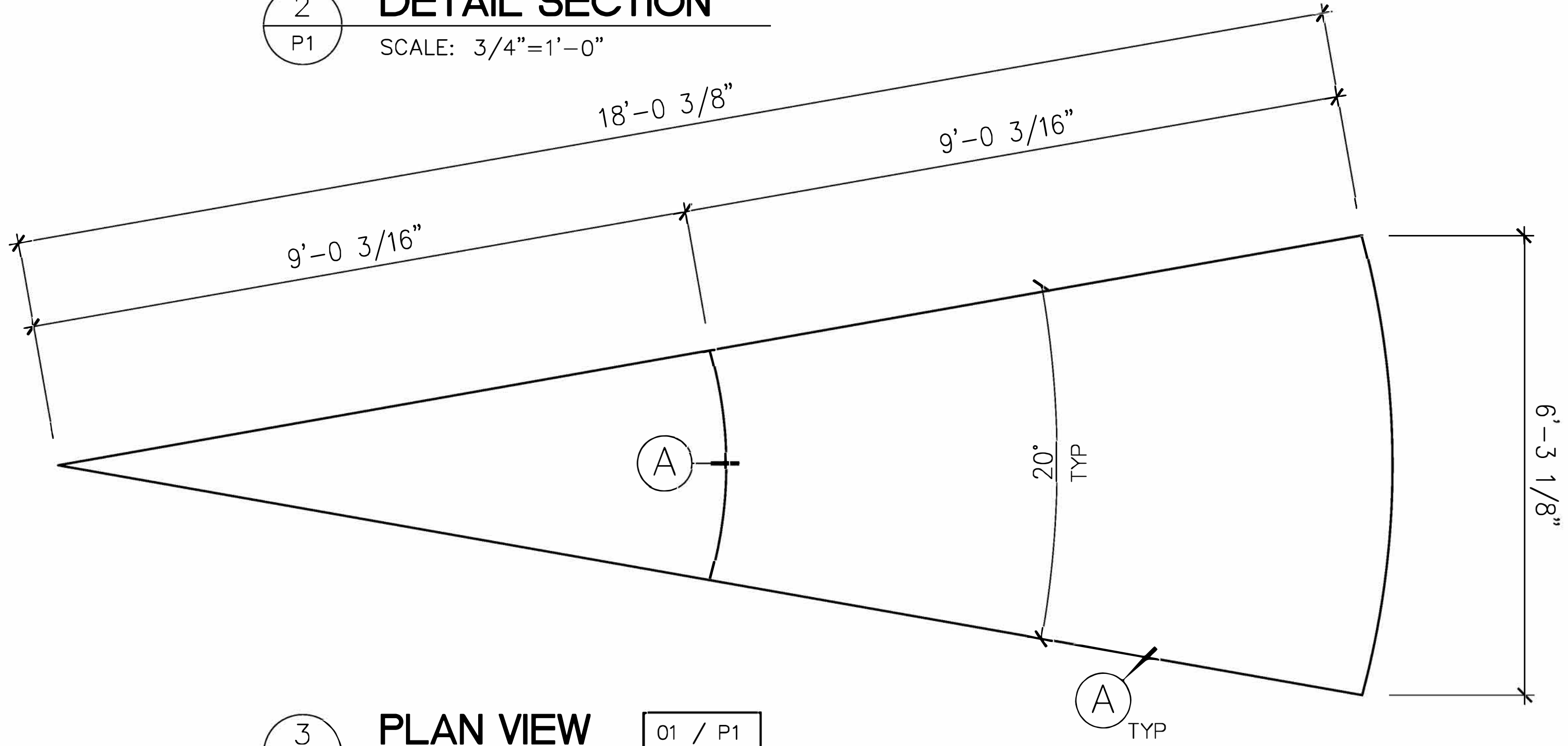
3600 DALLAS HIGHWAY - SUITE 230-387
MARIETTA, GEORGIA 30064 - USA
Phone 770.514.8141 Fax 770.514.0731

DRAWN BY:	TAN
CHECKED BY:	M.S.
DATE:	10.21.2015
SCALE:	AS SHOWN
QAD FILE NO.:	NIXON_P1.DWG
P1	
DRAWING 4 OF 4	



1 **DETAIL SECTION**
P1 SCALE: 3/4"=1'-0"

2 **DETAIL SECTION**
P1 SCALE: 3/4"=1'-0"

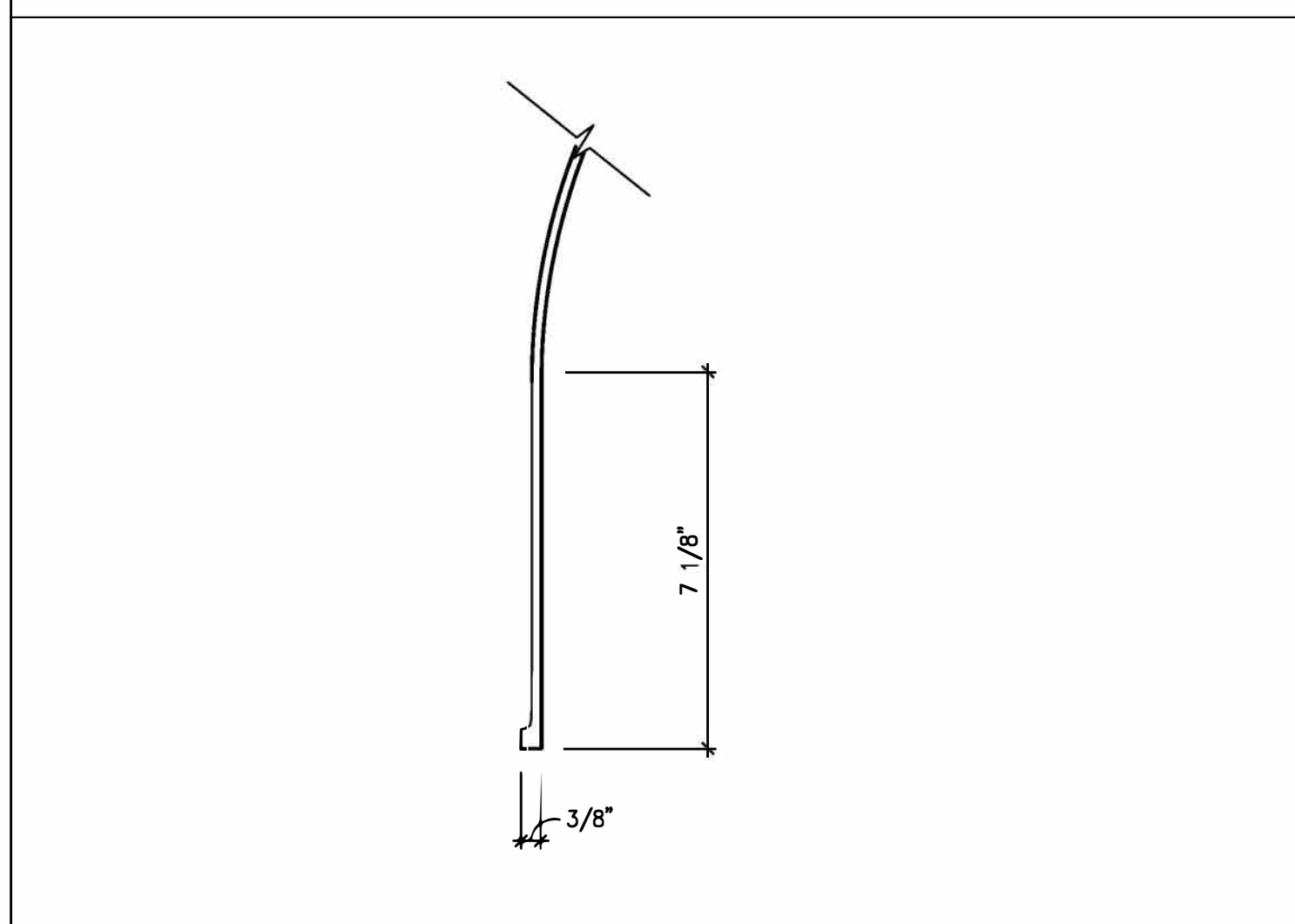


3 **PLAN VIEW** 01 / P1
P1 SCALE: 3/4"=1'-0"

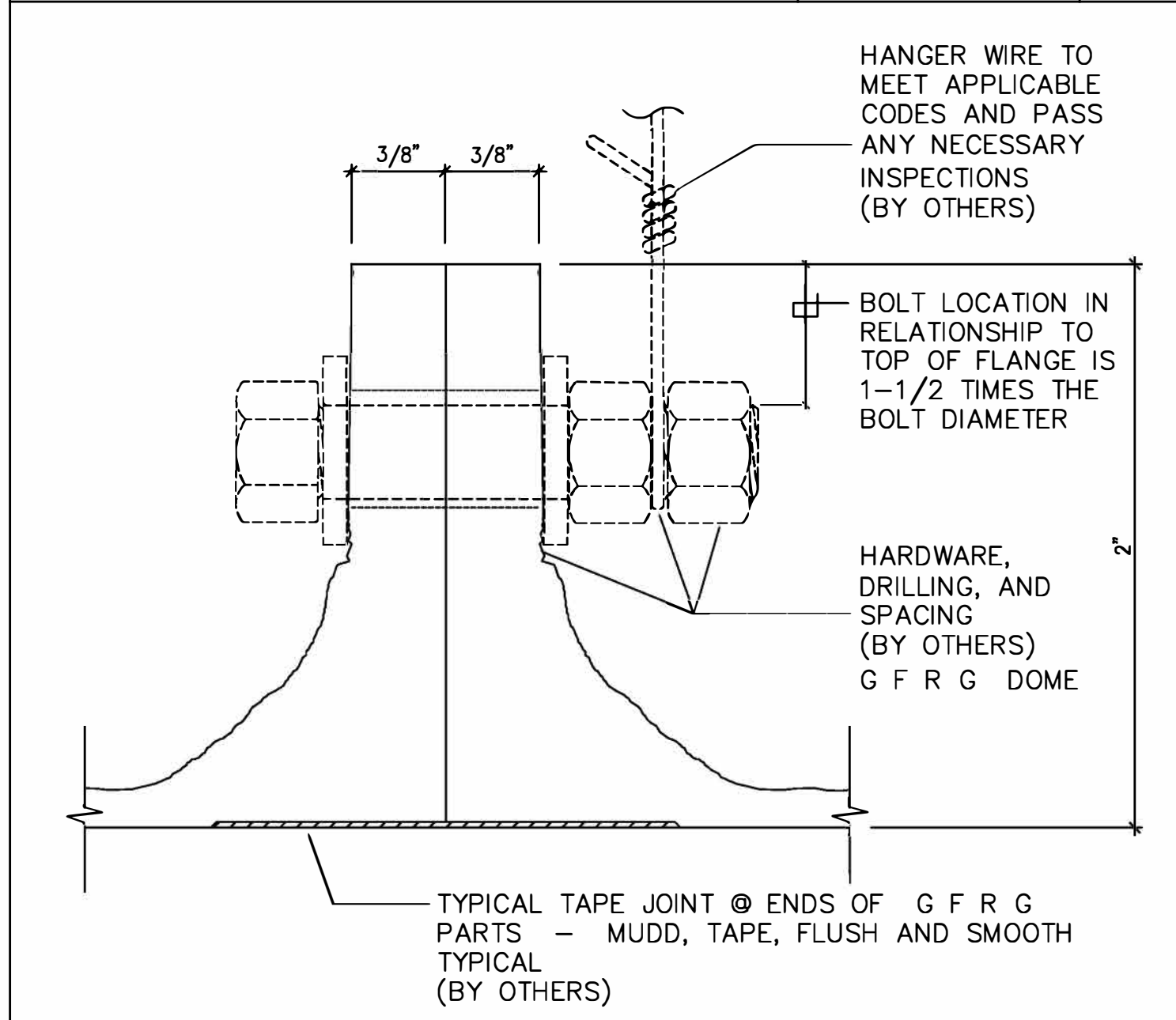
NOTE:
EACH OF THE PARTS LISTED BELOW
WILL BE SUPPLIED IN 2 PIECES AS
SHOWN IN THE DRAWING ABOVE.

REQ'D :	(2)	01 / P1	GFRG DOME SECTION	(2)	2A / P1	GFRG DOME SECTION
			18'-0 3/8"L x 6'-3 1/8"W x 3'-0"H			17'-1 3/16"L x 6'-2"W x 3'-0"H
	(2)	02 / P1	GFRG DOME SECTION	(2)	3A / P1	GFRG DOME SECTION
			17'-1 3/16"L x 6'-2"W x 3'-0"H			15'-11"L x 5'-10 3/16"W x 3'-0"H
	(2)	03 / P1	GFRG DOME SECTION	(2)	4A / P1	GFRG DOME SECTION
			15'-11"L x 5'-10 3/16"W x 3'-0"H			15'-0 11/16"L x 5'-5 5/16"W x 3'-0"H
	(2)	04 / P1	GFRG DOME SECTION	(2)	5A / P1	GFRG DOME SECTION
			15'-0 11/16"L x 5'-5 5/16"W x 3'-0"H			14'-8 5/8"L x 5'-2 3/16"W x 3'-0"H
	(2)	05 / P1	GFRG DOME SECTION			
			14'-8 5/8"L x 5'-2 3/16"W x 3'-0"H			

TOTAL : (18) TO COMPLETE ONE ELLIPTICAL DOME



CONNECTION DETAIL N T S B



CONNECTION DETAIL FULL A

NOTE:
THE 2" FLANGE WILL REQUIRE CUTTING
OR BE TRIMMED IN SOME AREAS NEAR
WALLS OR FRAMING TO ALLOW PROPER
FIT DURING INSTALLATION.