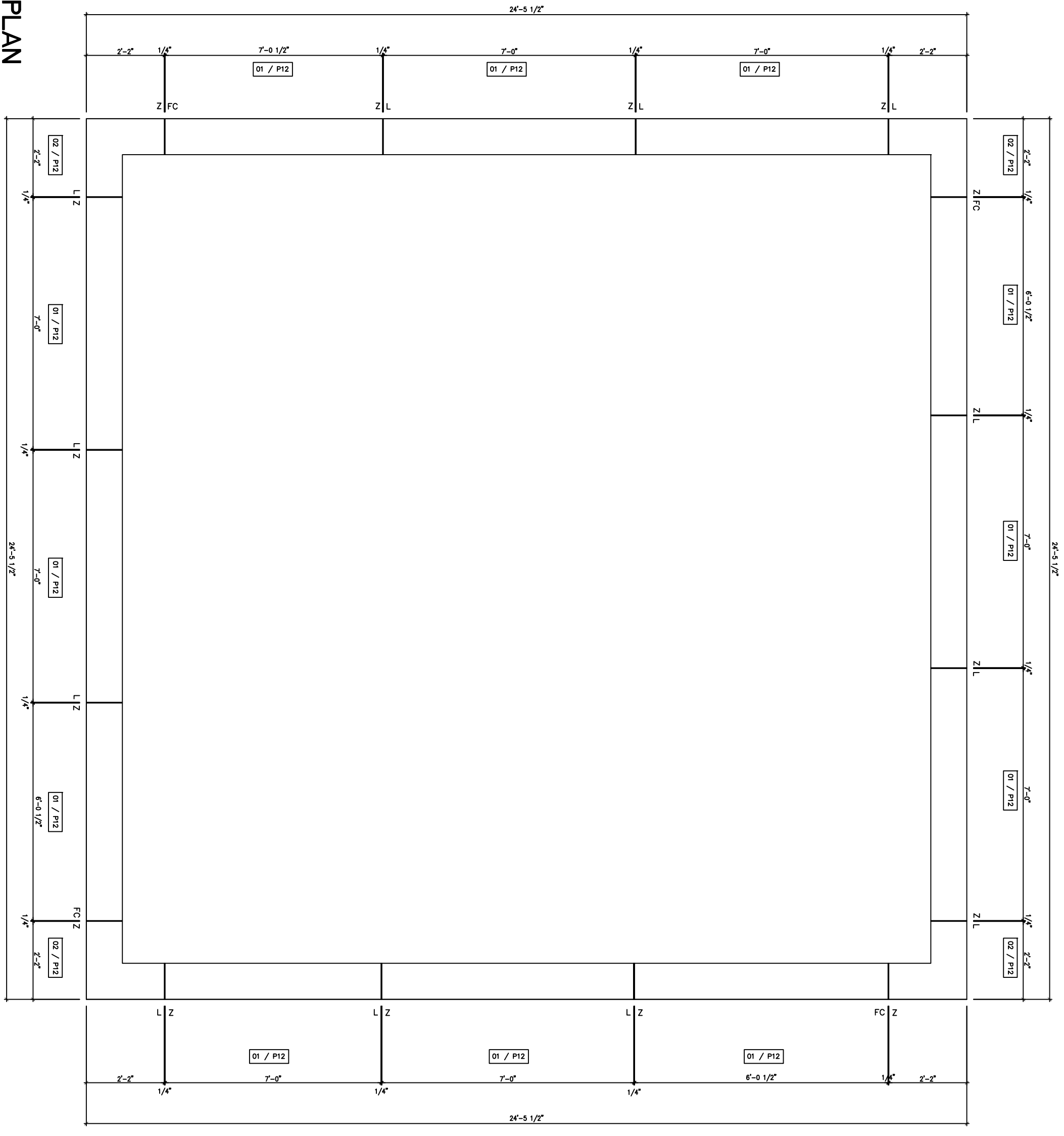
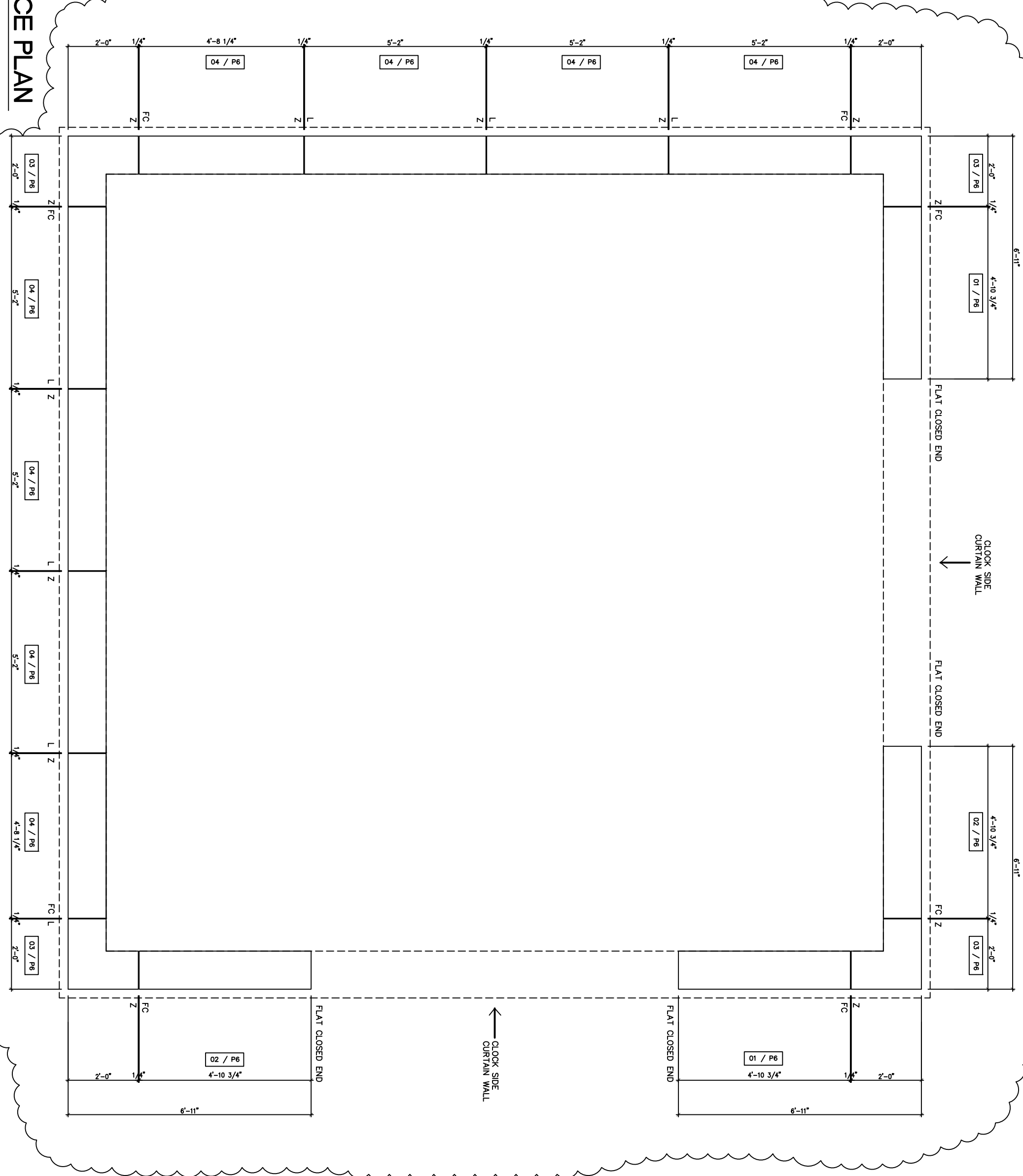


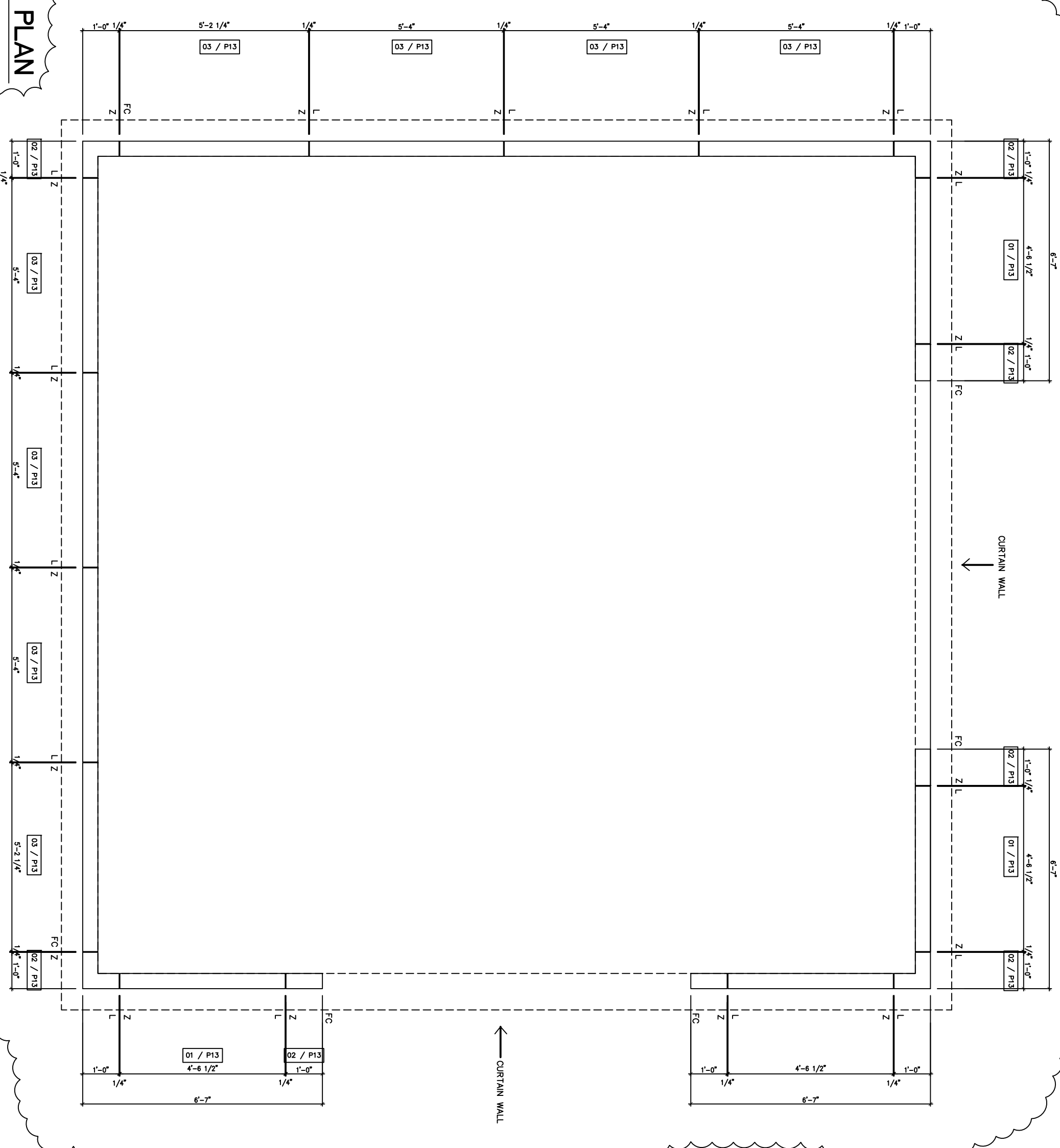
3 BUILDING I - TOWER  
UPPER CORNICE PLAN  
SCALE: 1/4"=1'-0"



1 BUILDING II - TOWER  
UPPER CORNICE PLAN  
SCALE: 1/4"=1'-0"



4 BUILDING I - TOWER  
LOWER CORNICE PLAN  
SCALE: 1/4"=1'-0"



2 BUILDING II - TOWER  
LOWER CORNICE PLAN  
SCALE: 1/4"=1'-0"

REVISION NO.	BR.

**WOODLAND GLEN  
BUILDINGS I AND II  
LEXINGTON, KENTUCKY**

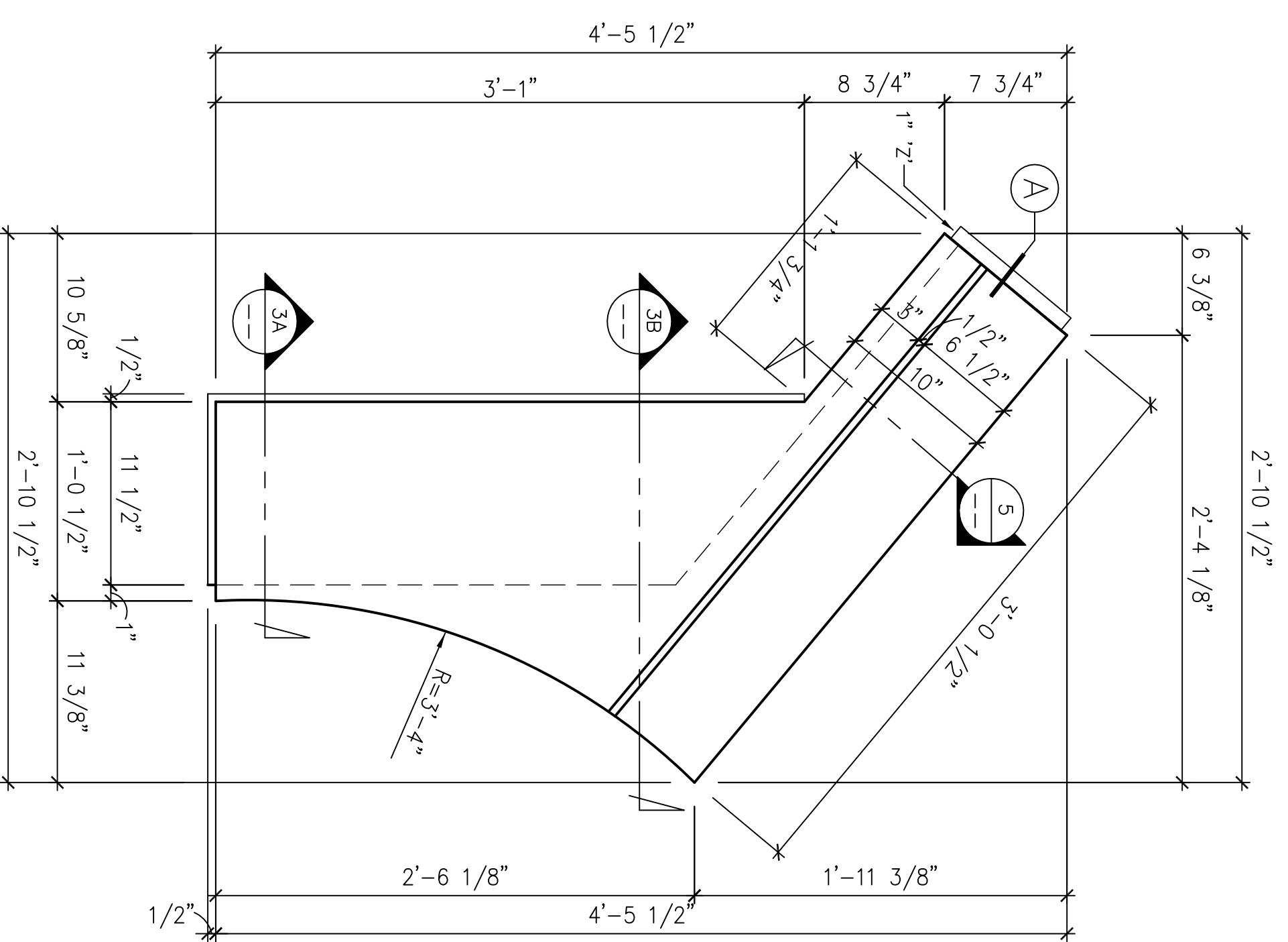
**FIRST CLASS BUILDING PRODUCTS**  
3600 DALLAS HIGHWAY • SUITE 230-387  
MARIETTA, GEORGIA 30064 • USA  
Phone 770.514.8141 • Fax 770.514.0731

DRAWN BY: TAN  
 CHECKED BY: M.S.  
 DATE: 07.15.2013  
 SCALE: AS SHOWN  
 WOODLAND1\_F2.DWG  
**F2**  
 SHEETS 3 OF 24

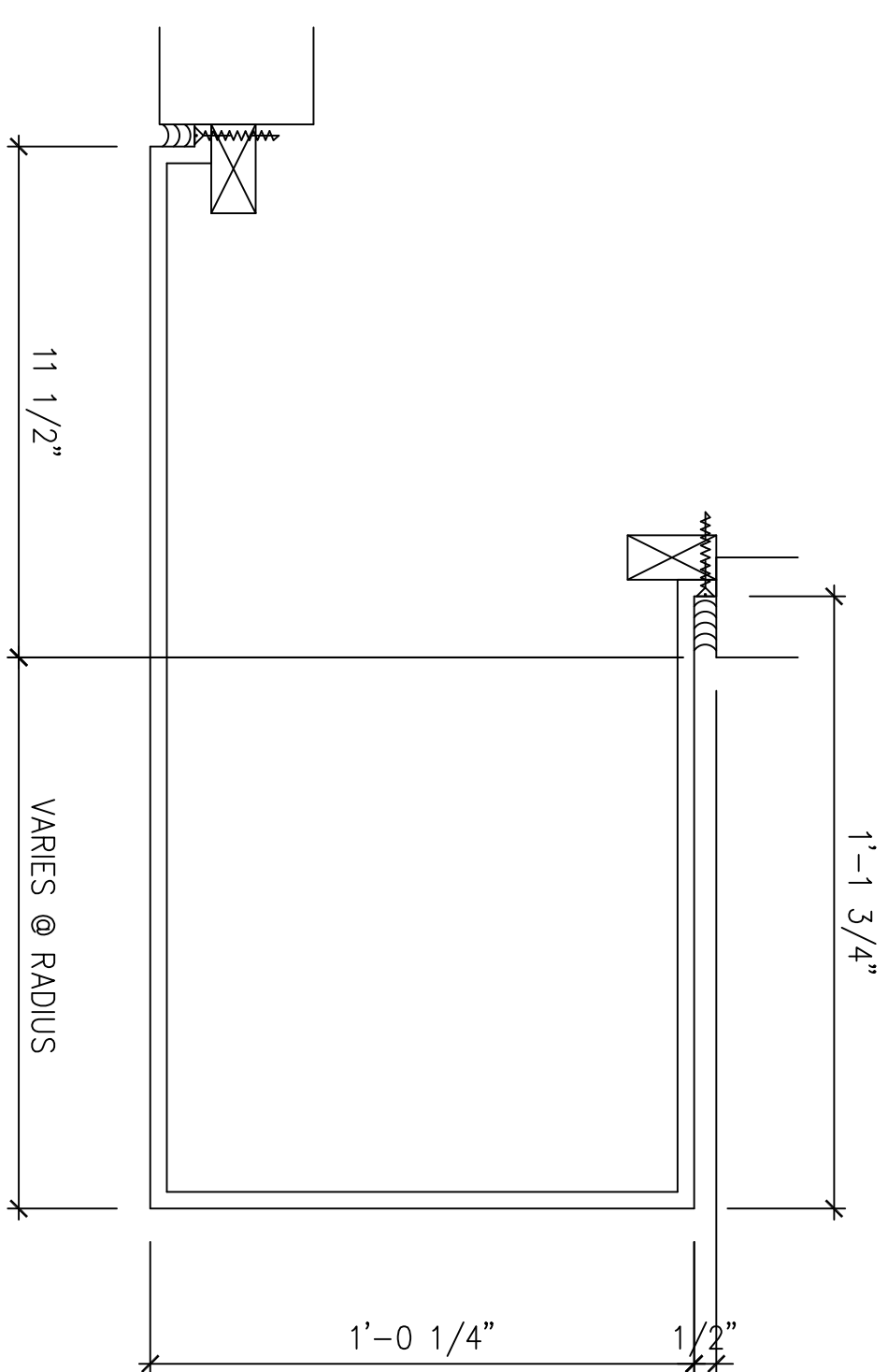




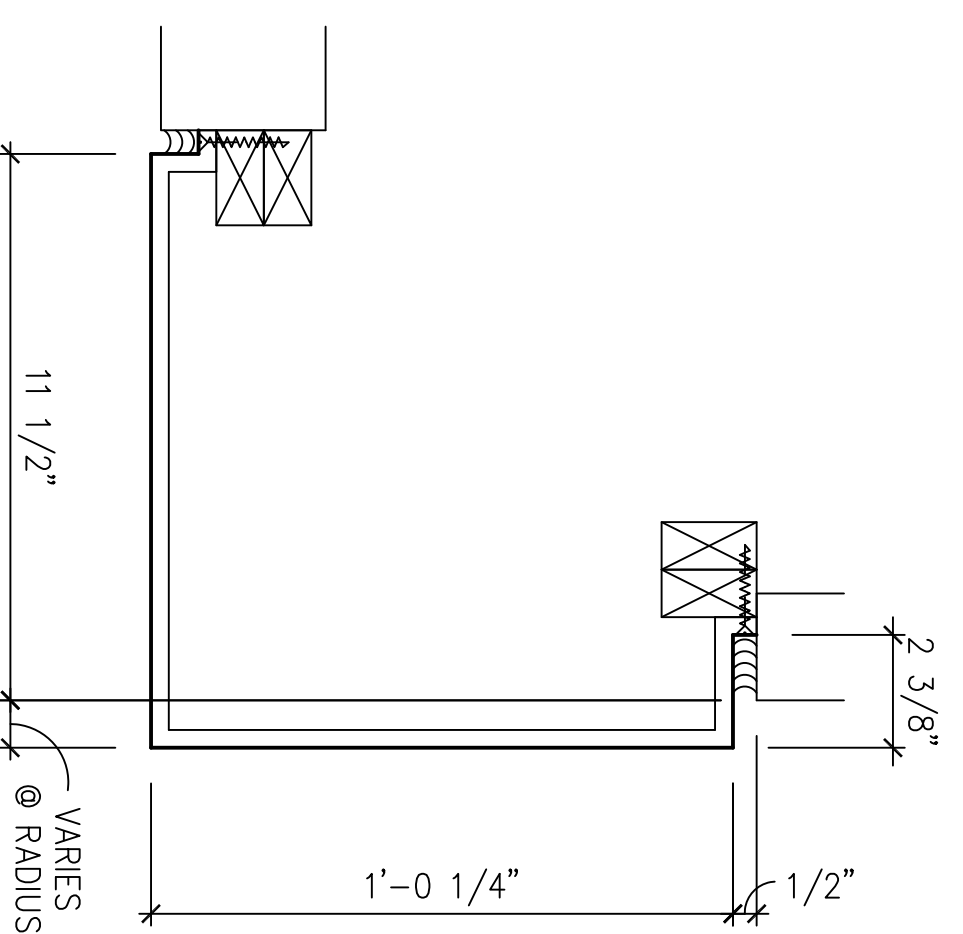




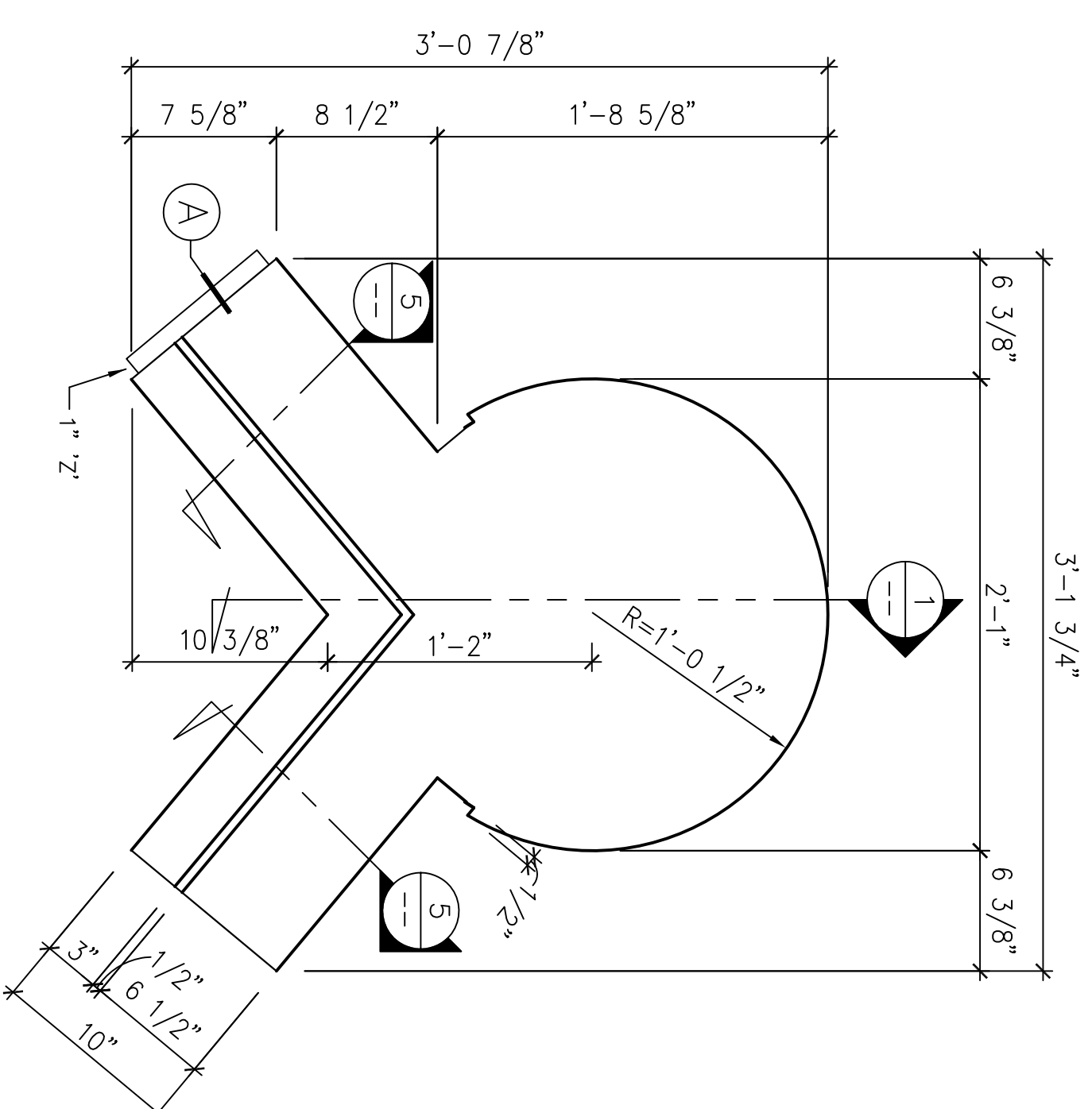
4 GABLE END ELEVATION 02 / P2  
SCALE: 1 1/2"=1'-0"



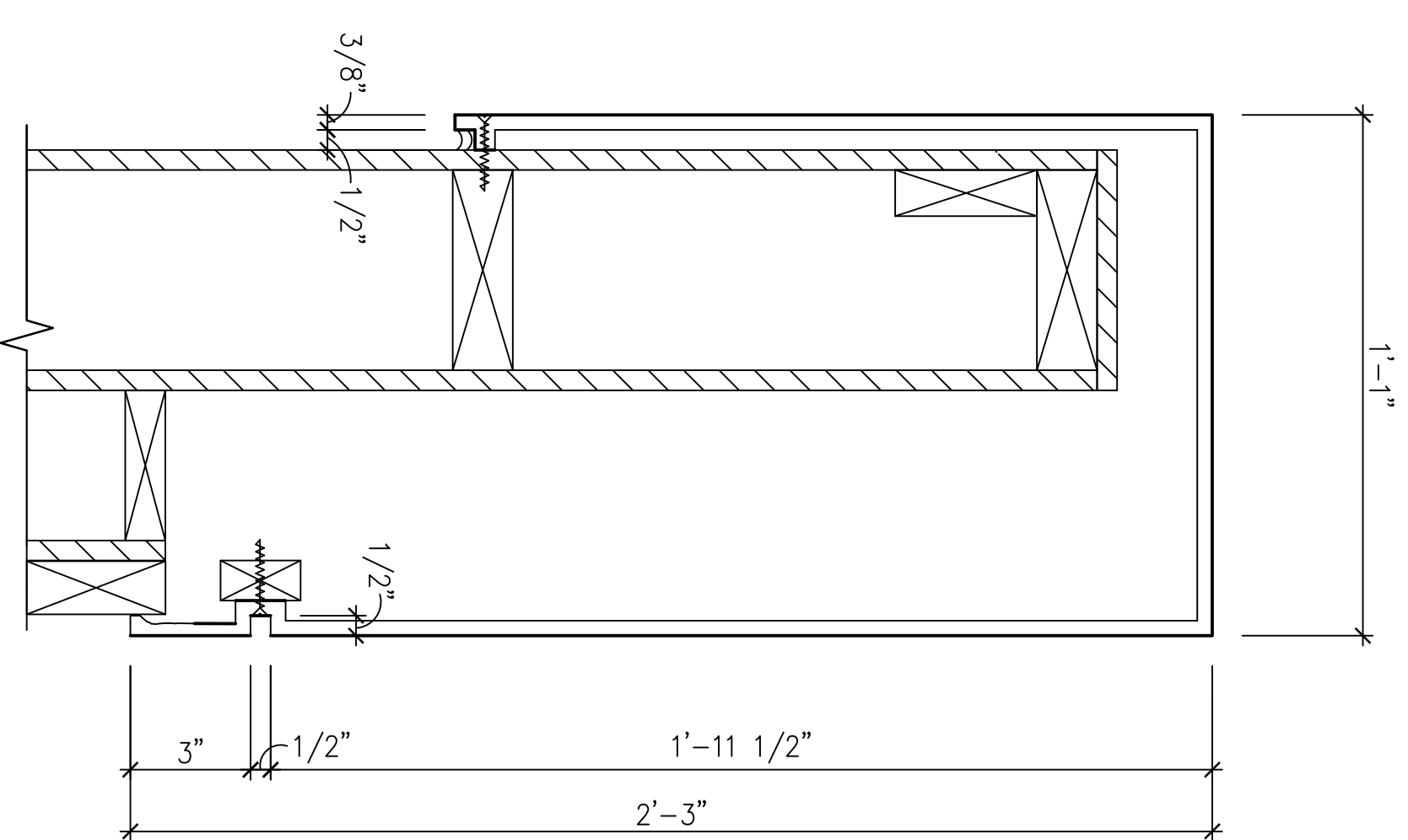
3B GABLE END DETAIL SECTION  
SCALE: 3"=1'-0"



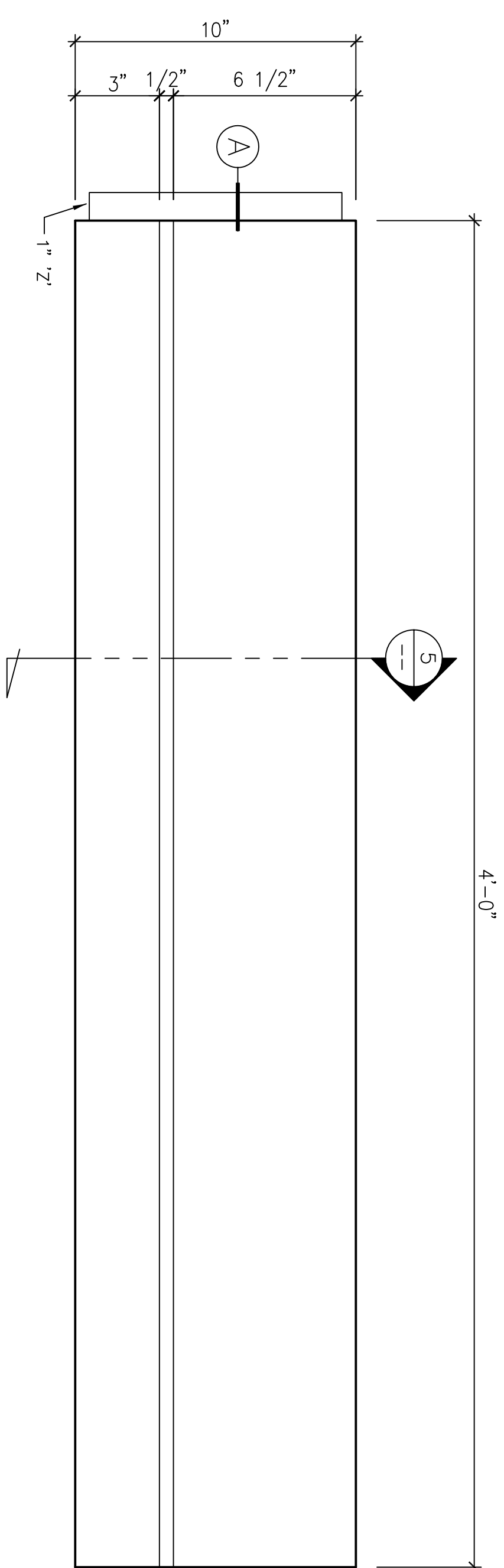
3A GABLE END DETAIL SECTION  
SCALE: 3"=1'-0"



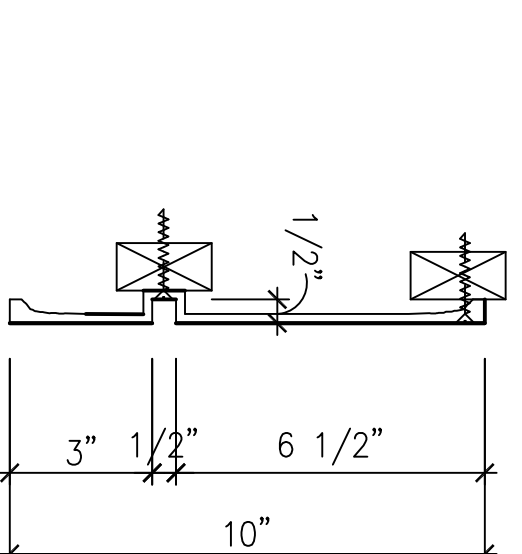
2 BULB ELEVATION 01 / P2  
SCALE: 1 1/2"=1'-0"



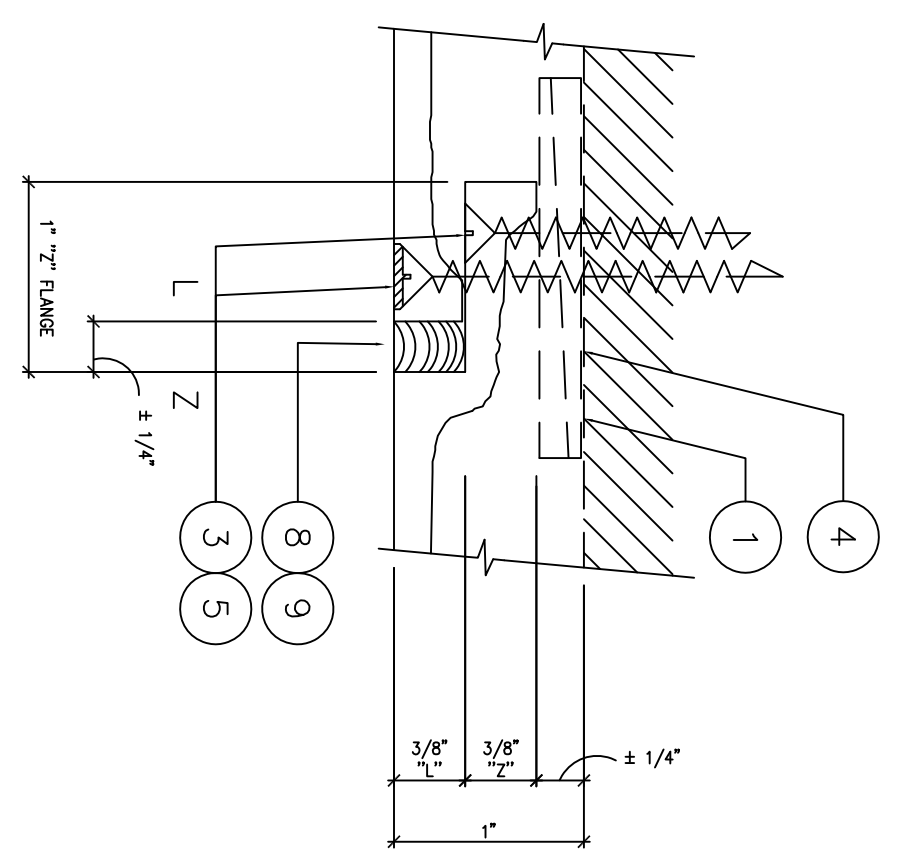
1 BULB DETAIL SECTION  
SCALE: 3"=1'-0"



6 FASCIA ELEVATION 03 / P2  
SCALE: 3"=1'-0"



5 FASCIA DETAIL SECTION  
SCALE: 3"=1'-0"



CONNECTION DETAIL

FULL A

FRP FASCIA - BUILDING I

AS SHOWN

1

REQ'D : ( 24 ) 01 / P2 FRP BULB PEAK

24ea LEFT, 24ea RIGHT ( 48 ) 02 / P2 FRP GABLE END

( 192 ) 03 / P2 FRP FASCIA

4'-0" STRAIGHT LENGTH

TOTAL : ( 288 )

FIRST CLASS BUILDING PRODUCTS

3600 DALLAS HIGHWAY • SUITE 230-387  
MARIETTA, GEORGIA 30064 • USA  
Phone 770.514.8141 • Fax 770.514.0731

WOODLAND GLEN  
BUILDINGS I AND II  
LEXINGTON, KENTUCKY

REVISION NO.

BR:

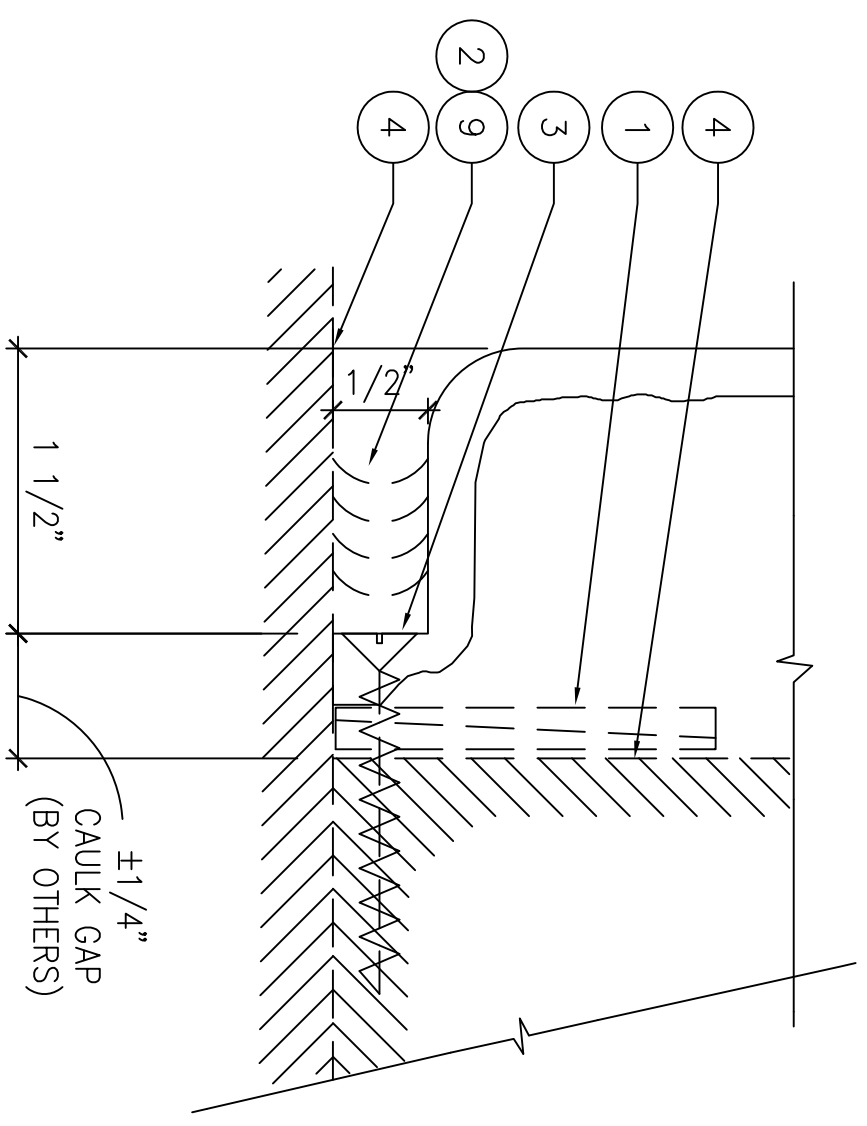
P2

DRAWING: 1 OF 24

DRAWN BY:	TAN
CHECKED BY:	M.S.
DATE:	07.15.2013
SCALE:	AS SHOWN
DATE FILED:	WOODLAND1_P2.DWG



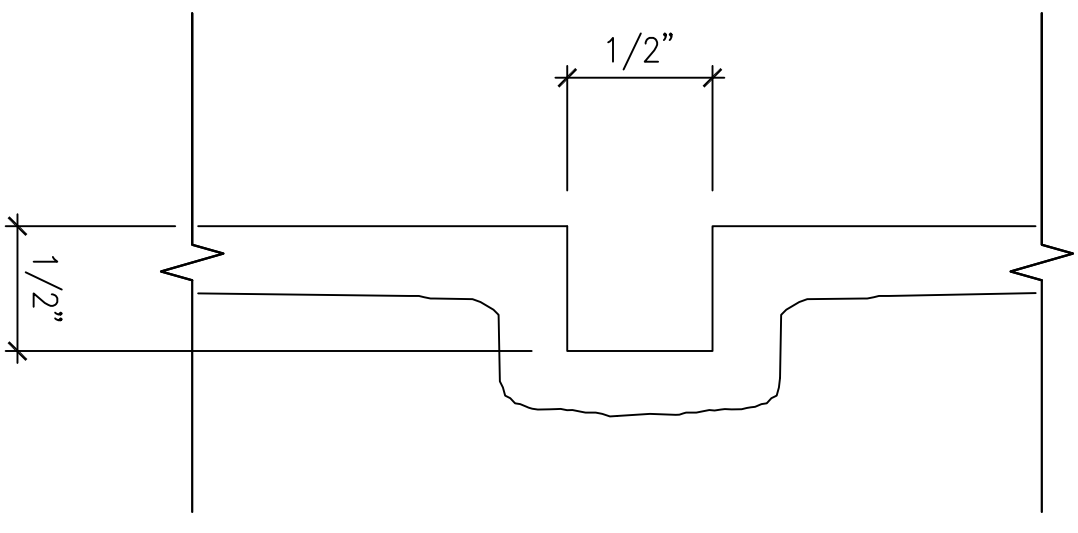




WINDOW HEAD DETAIL

FULL

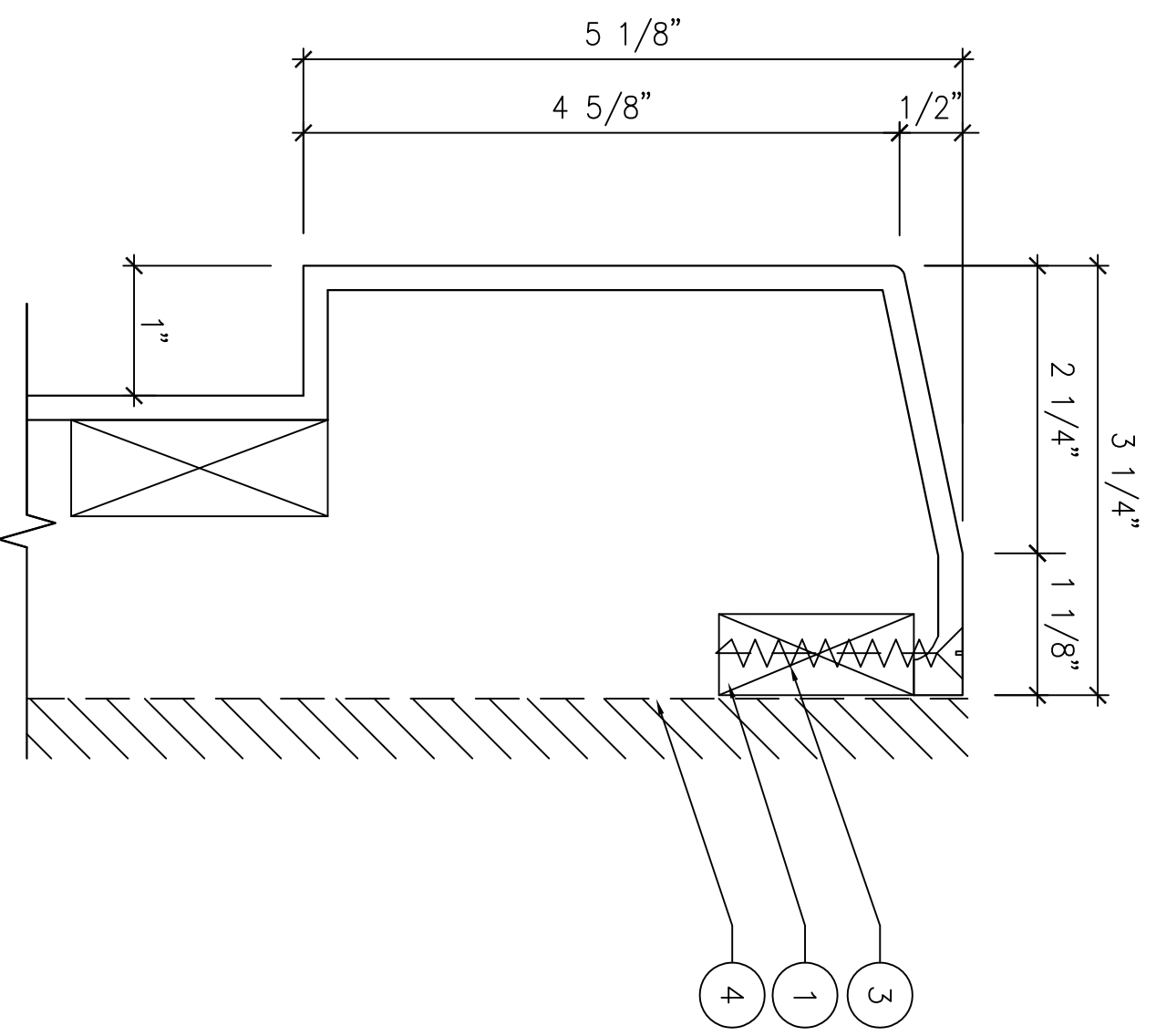
C



REVEAL DETAIL

FULL

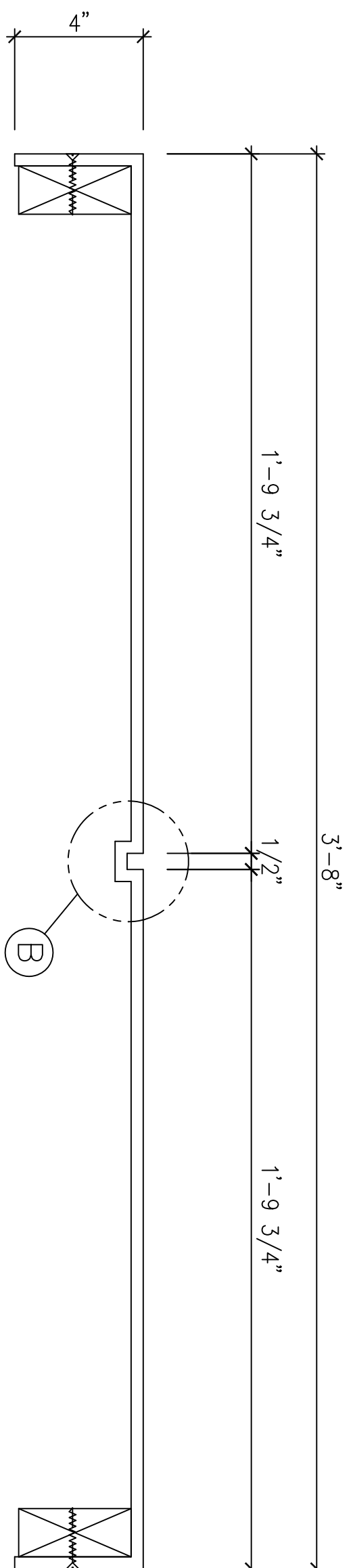
B



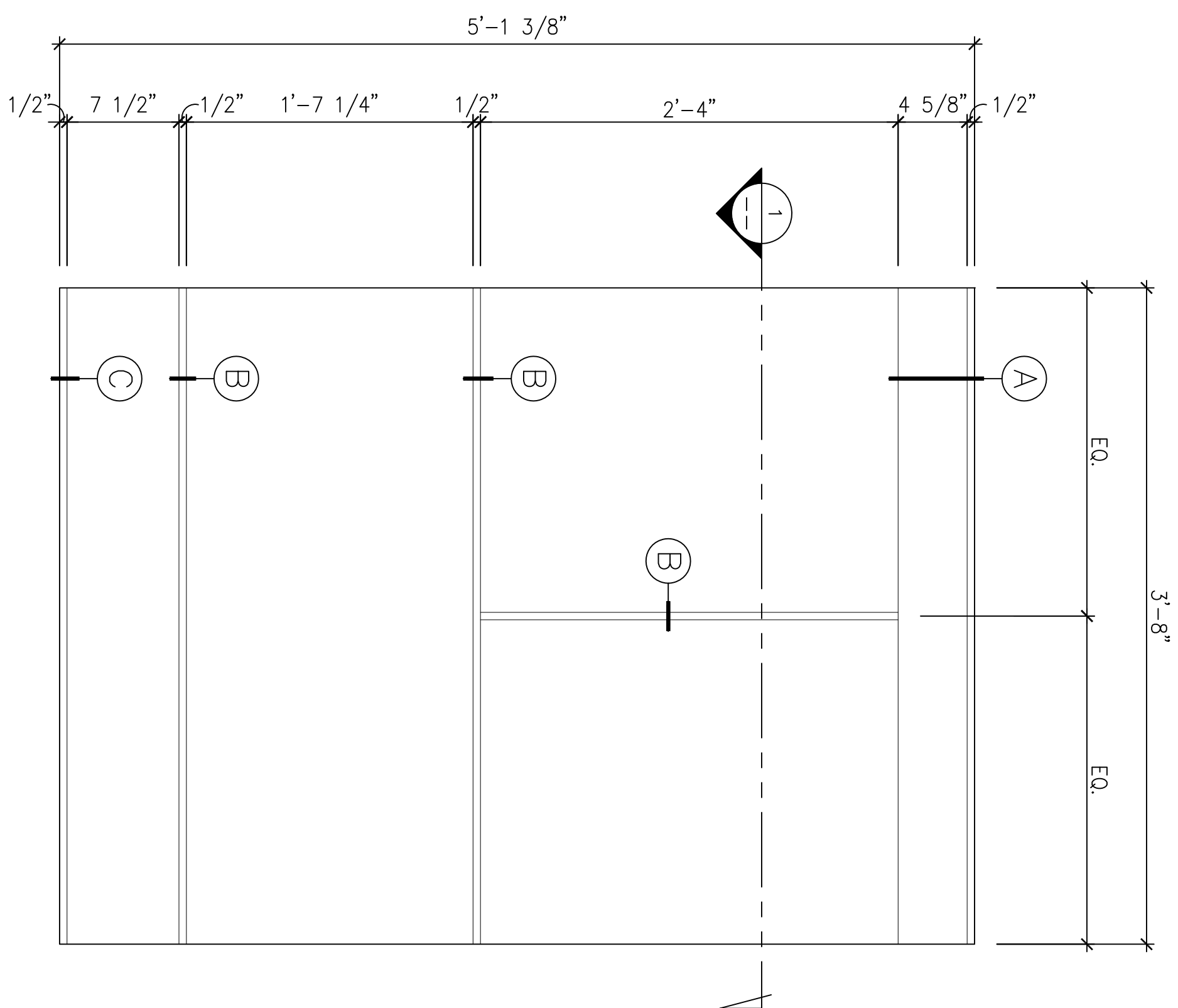
WINDOW SILL DETAIL

FULL

A



1 DETAIL SECTION  
SCALE: 3"=1'-0"



2 ELEVATION  
SCALE: 1 1/2"=1'-0"

REQ'D : ( 76 ) 01 / P4 FRP FLAT PANEL  
5'-1 3/8"H x 3'-8"W x 4"D  
TOTAL : ( 76 )

FRP FLAT PANELS WITH WINDOW HEAD & SILL - BUILDING I

AS SHOWN

1

REVISION NO. BR:


WOODLAND GLEN BUILDINGS I AND II LEXINGTON, KENTUCKY

FIRST CLASS BUILDING PRODUCTS

3600 DALLAS HIGHWAY • SUITE 230-387  
MARIETTA, GEORGIA 30064 • USA  
Phone 770.514.8141 • Fax 770.514.0731

DRAWN BY: TAN  
CHECKED BY: M.S.  
DATE: 07.15.2013  
SCALE: AS SHOWN  
JOB FILE NO. WOODLAND1\_P4.DWG

P4

DRWING: 3.07.24

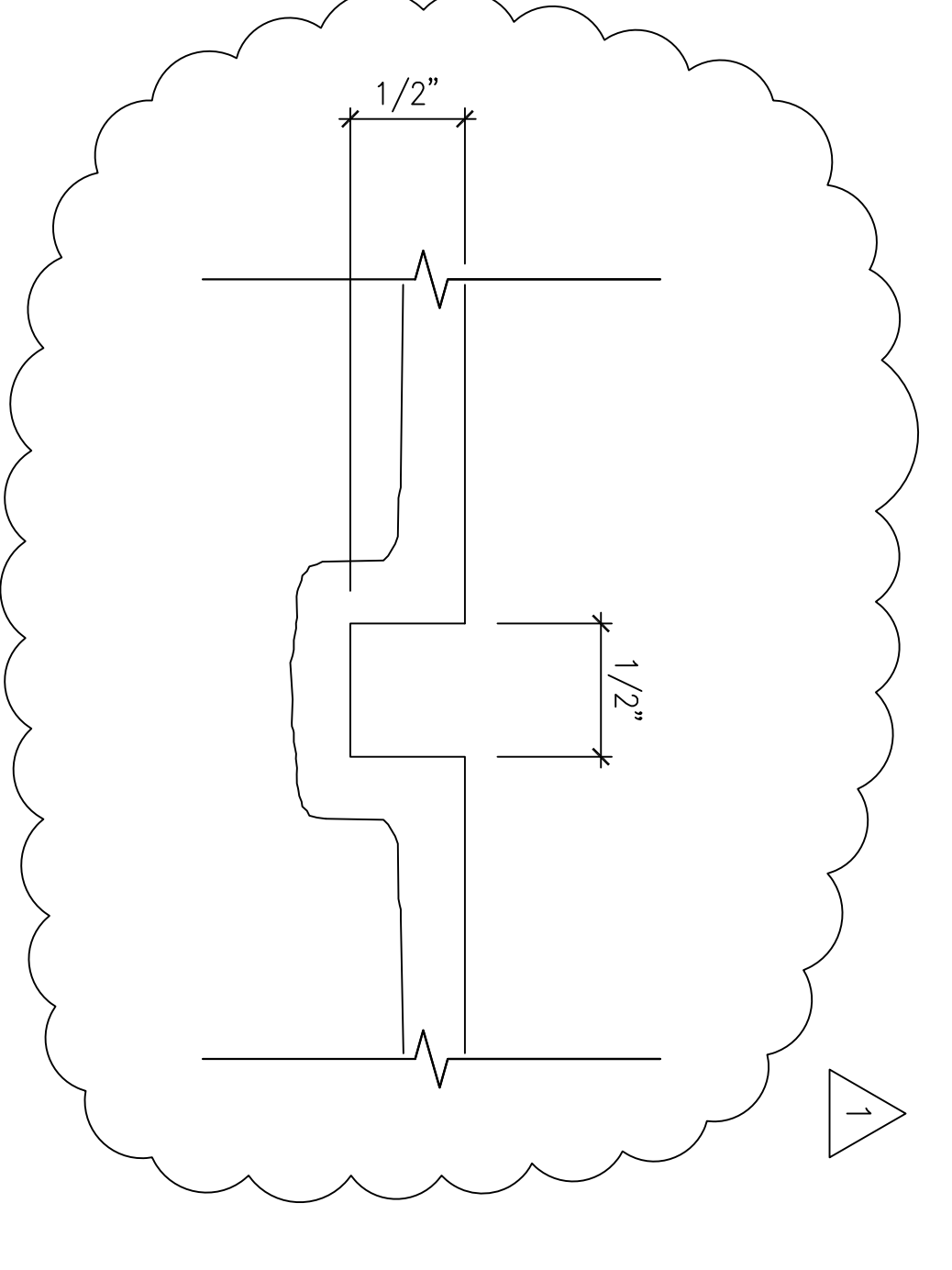
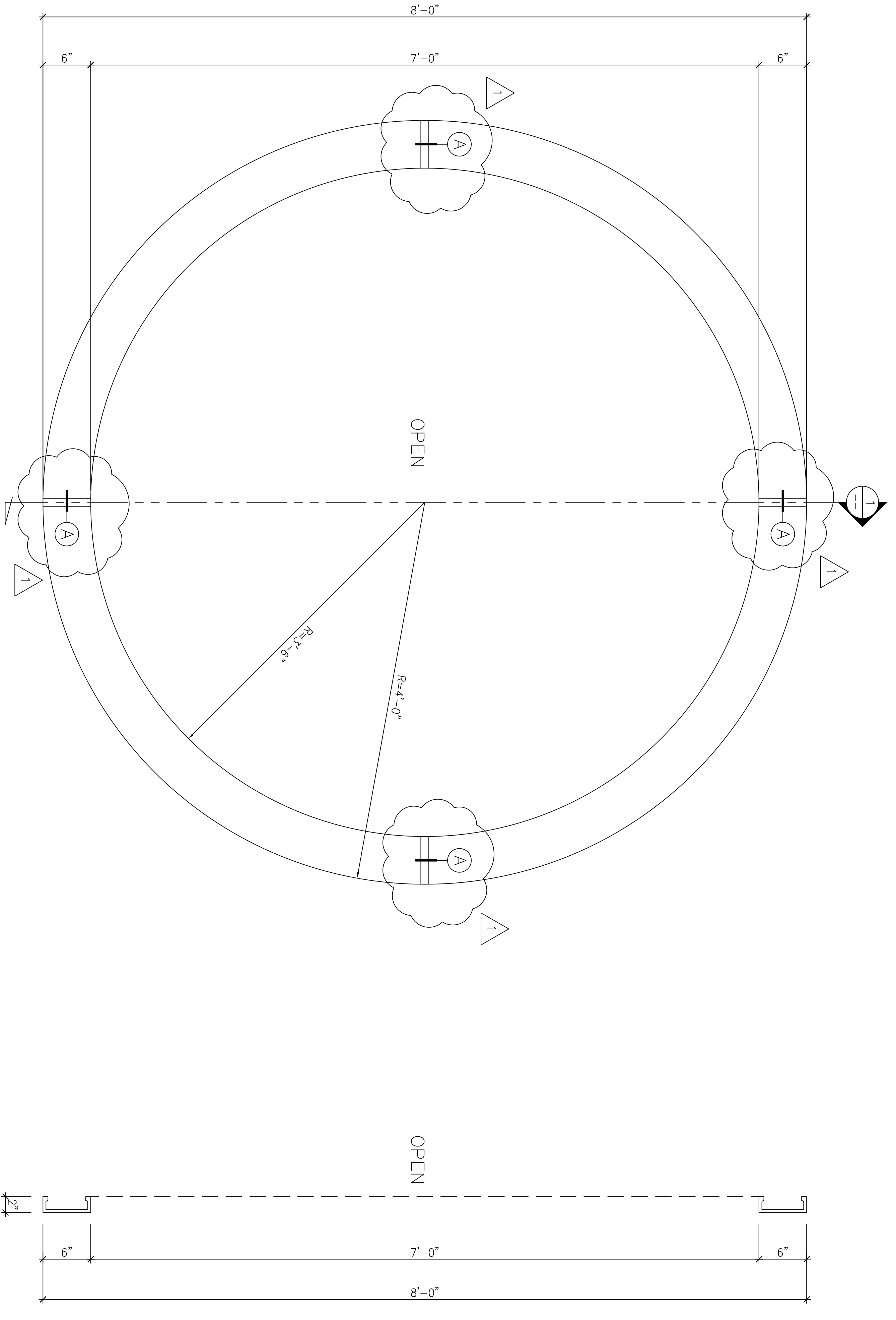












REVEAL DETAIL FULL D

2 ELEVATION 01 / P9  
SCALE: 1 1/2"=1'-0"

1 DETAIL SECTION  
SCALE: 1 1/2"=1'-0"

REQ'D : ( 2 )  
FRP RADIAL CLOCK TRIM  
8'-0"DIA. x 6"W x 2"D  
TOTAL : ( 2 )

FRP RADIAL CLOCK TRIM - BUILDING I AS SHOWN 1

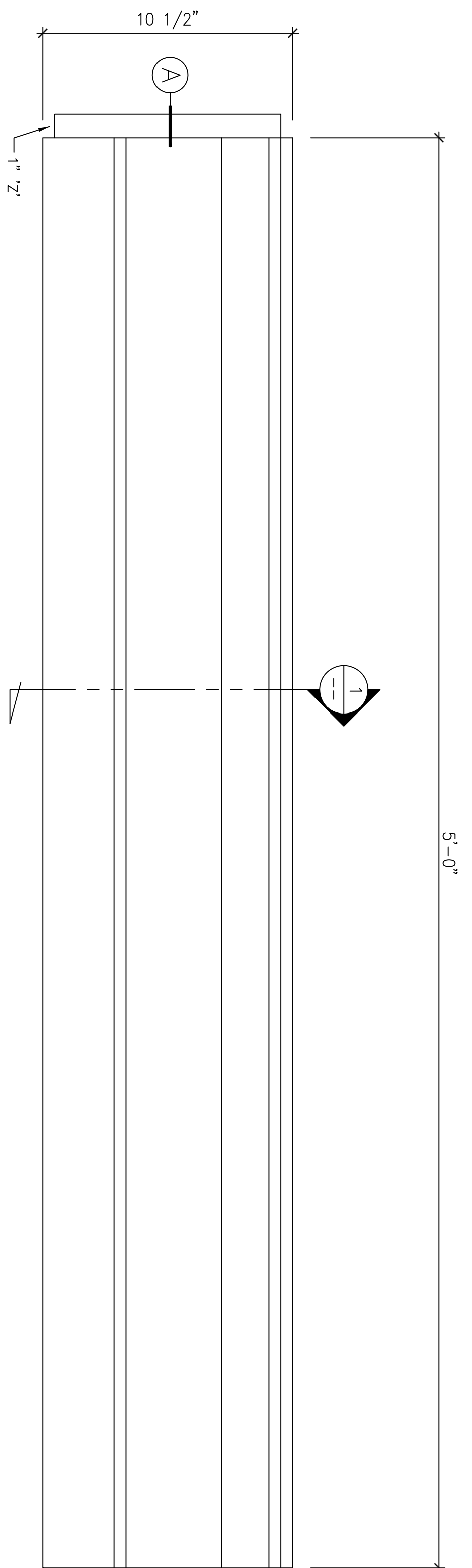
DRAWN BY:	TAN
CHECKED BY:	M.S.
DATE:	07.15.2013
SCALE:	AS SHOWN
Q&B FILE NO.:	WOODLAND1_P9.DWG

**FIRST CLASS BUILDING PRODUCTS**  
3600 DALLAS HIGHWAY • SUITE 230-387  
MARIETTA, GEORGIA 30064 • USA  
Phone 770.514.8141 • Fax 770.514.0731

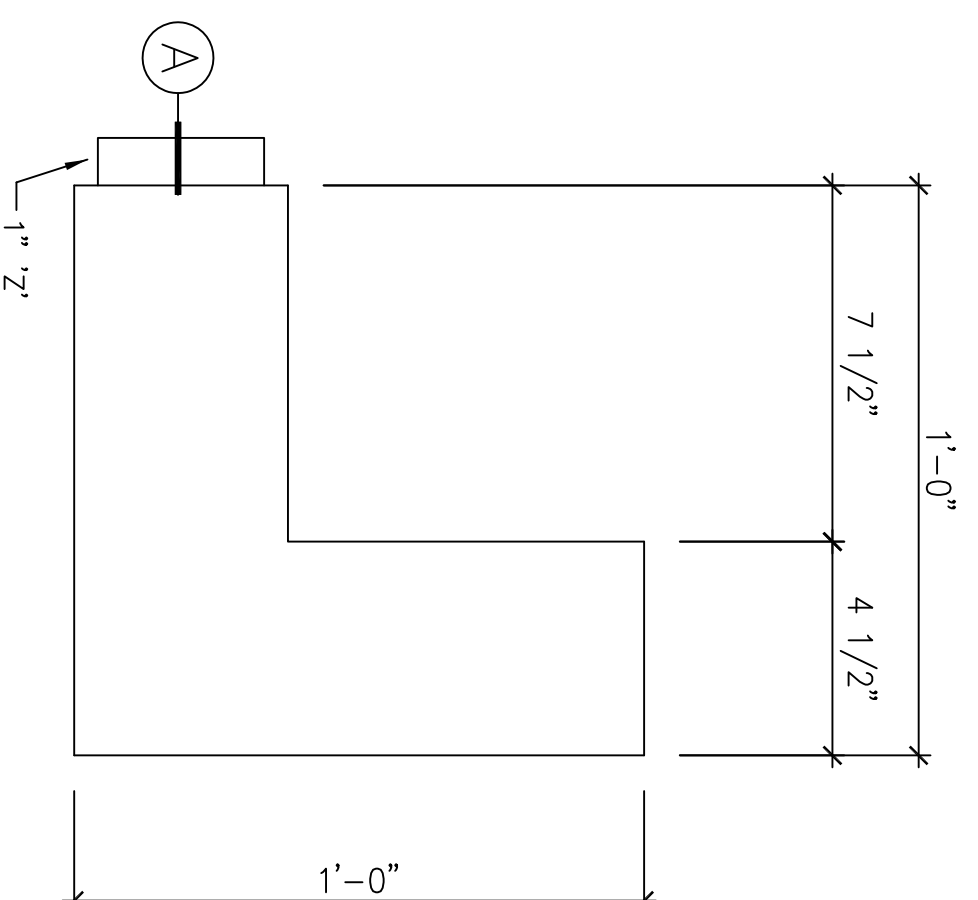
**WOODLAND GLEN  
BUILDINGS I AND II  
LEXINGTON, KENTUCKY**

REVISION NO.	BR:

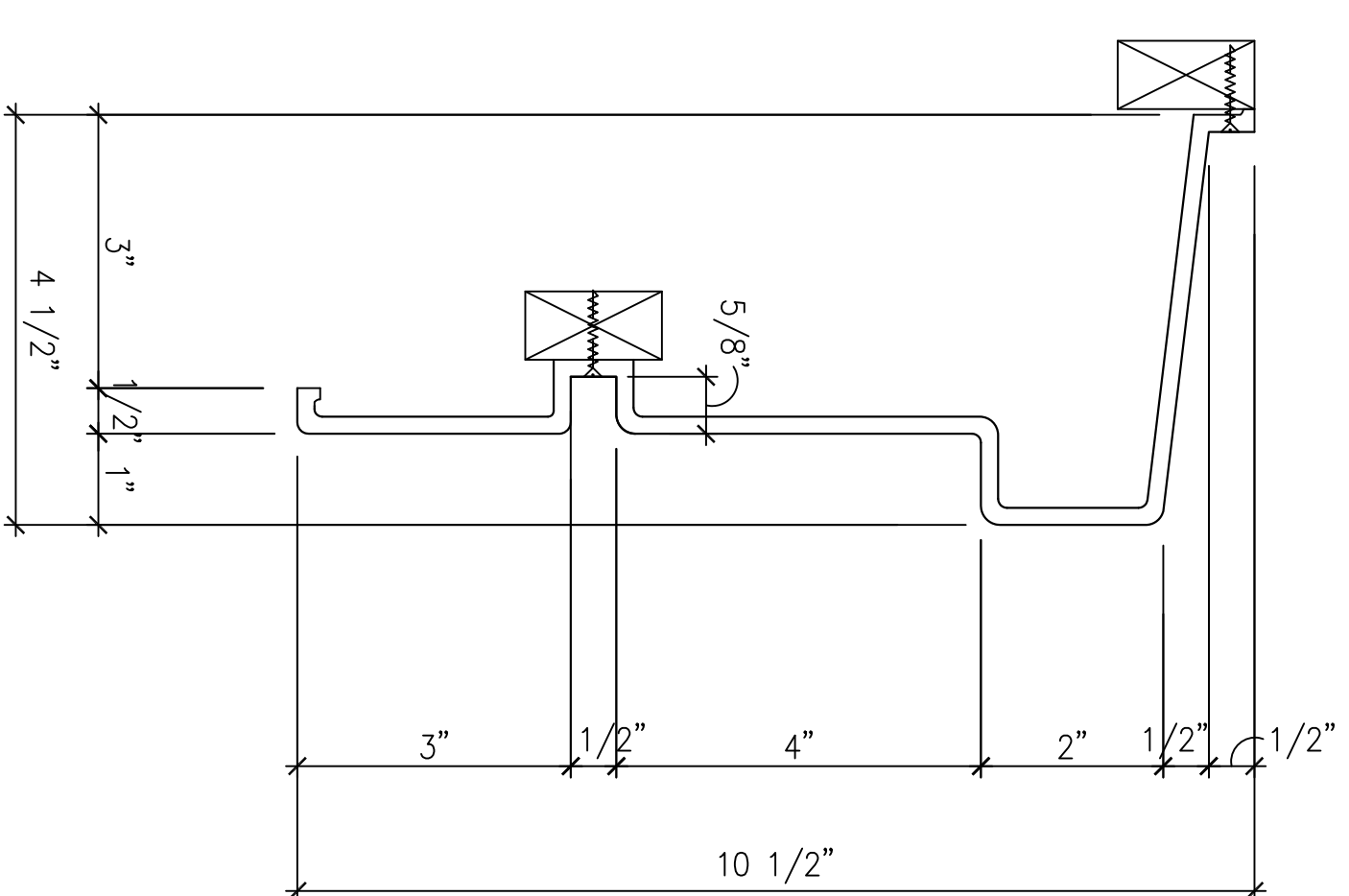
**P9**  
DRAWING 5/10/24



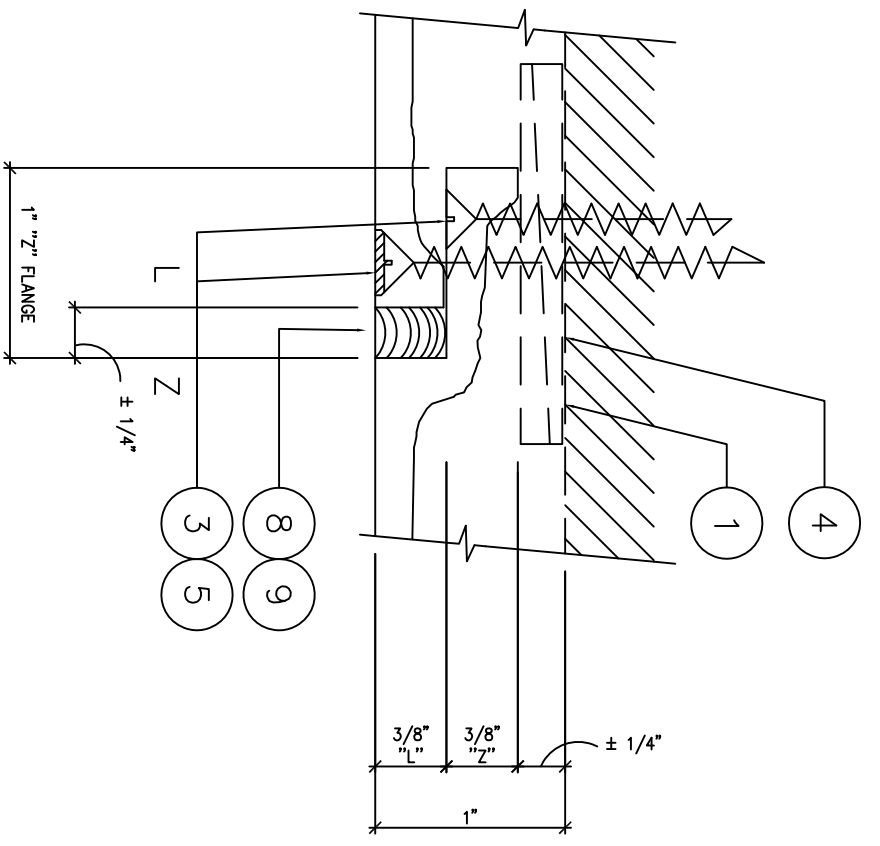
2 ELEVATION  
SCALE: 1 1/2"=1'-0"  
01 / P10



3 PLAN VIEW  
SCALE: 3"=1'-0"  
02 / P10



1 DETAIL SECTION  
SCALE: 6"=1'-0"



CONNECTION DETAIL

FULL A

FRP CORNICE - BUILDING II

AS SHOWN

1

REQ'D : ( 48 ) 01 / P10 FRP CORNICE  
10 1/2"H x 4 1/2"D  
5'-0" STRAIGHT LENGTH  
( 48 ) 02 / P10 FRP CORNICE - OSC  
10 1/2"H x 4 1/2"D  
1'-0" x 1'-0" SQ.

TOTAL : ( 96 )

REVISION NO. BR:


WOODLAND GLEN BUILDINGS I AND II LEXINGTON, KENTUCKY

FIRST CLASS BUILDING PRODUCTS

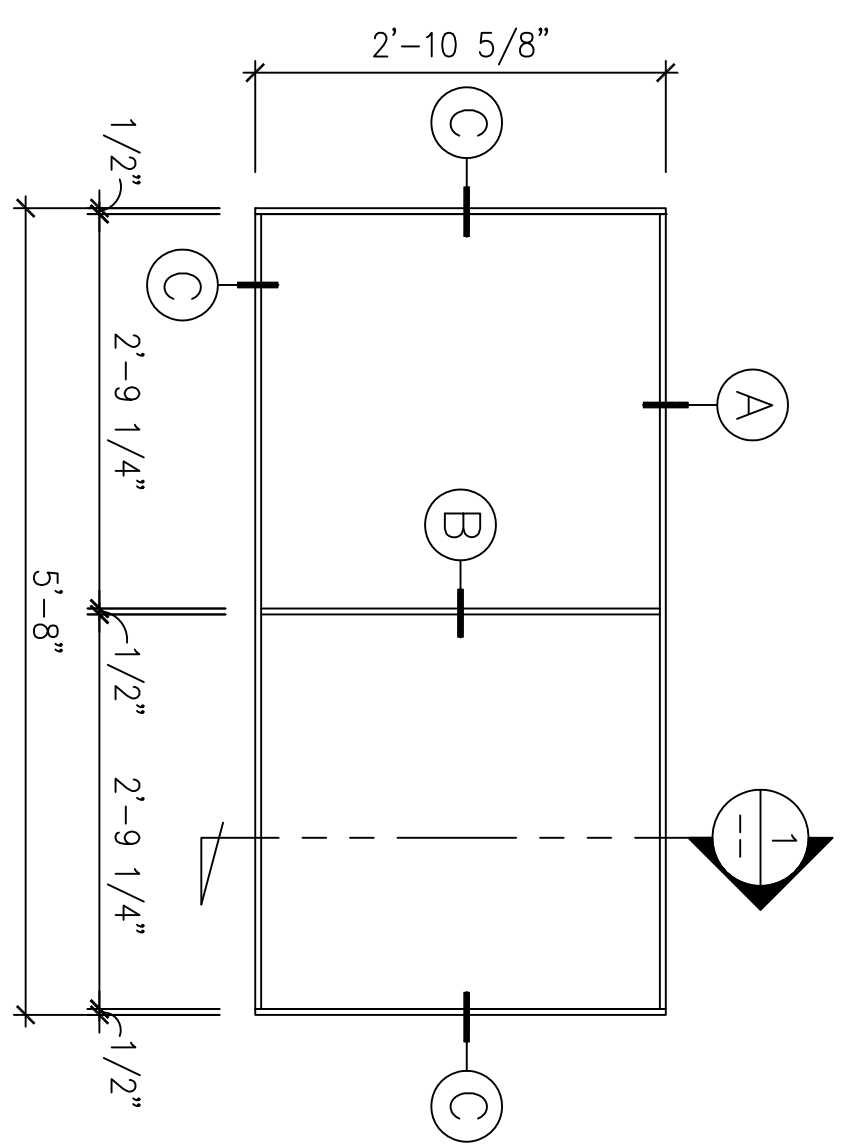
3600 DALLAS HIGHWAY • SUITE 230-387  
MARIETTA, GEORGIA 30064 • USA  
Phone 770.514.8141 • Fax 770.514.0731

DRAWN BY: TAN  
CHECKED BY: M.S.  
DATE: 07.15.2013  
SCALE: AS SHOWN  
WOODLAND1\_P10.DWG

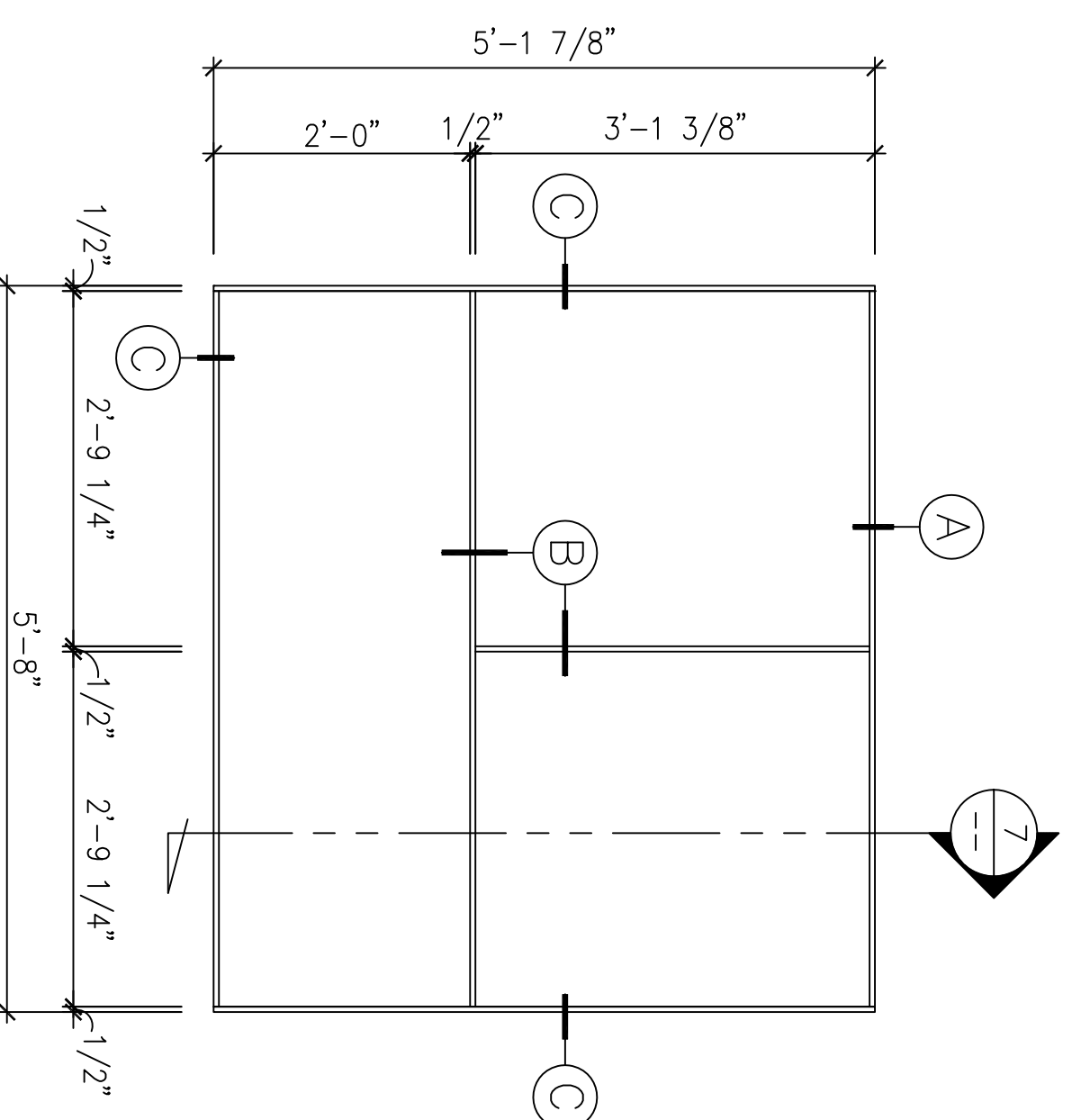
P10  
DRAWING NO. 01 OF 24



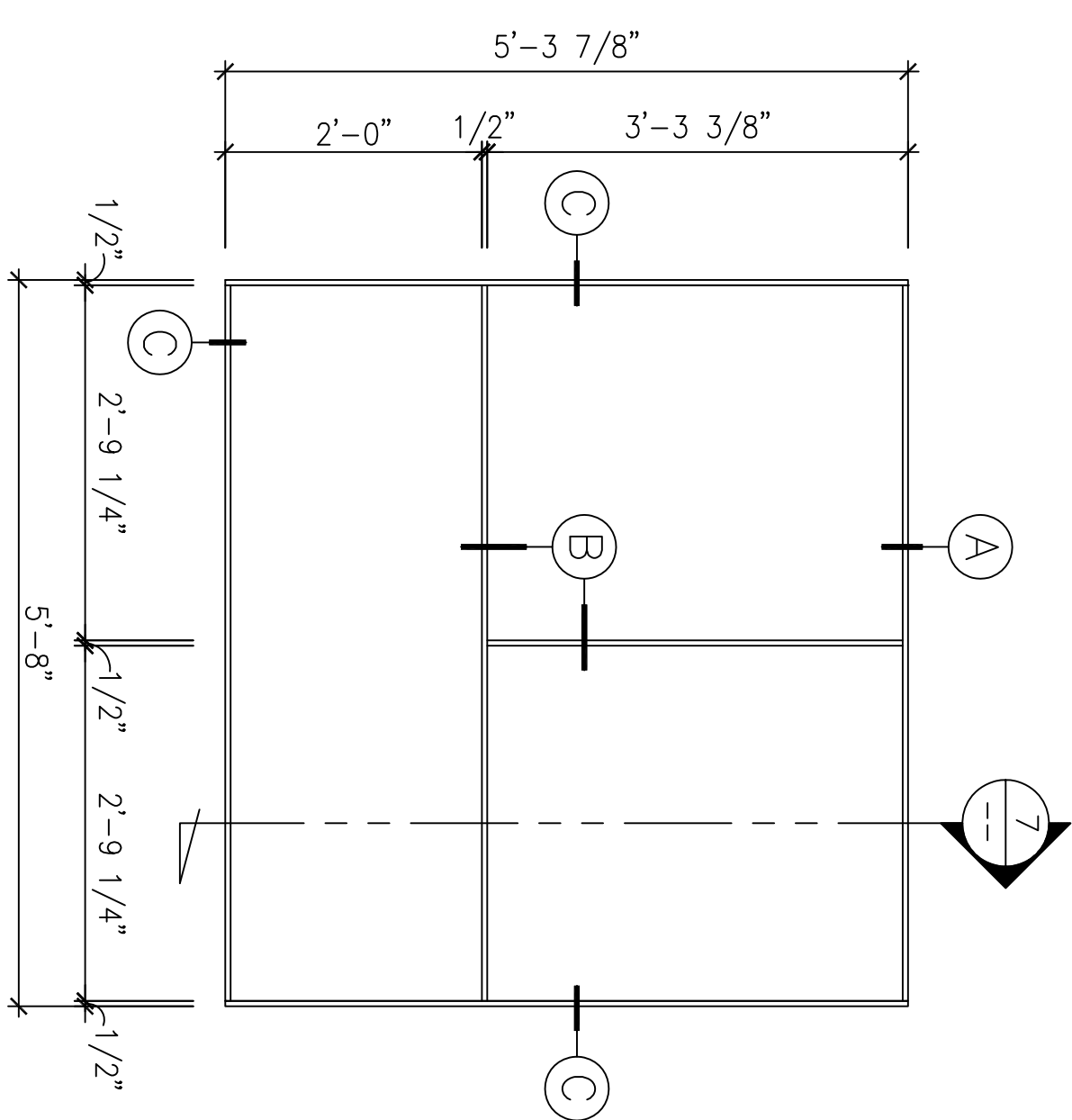




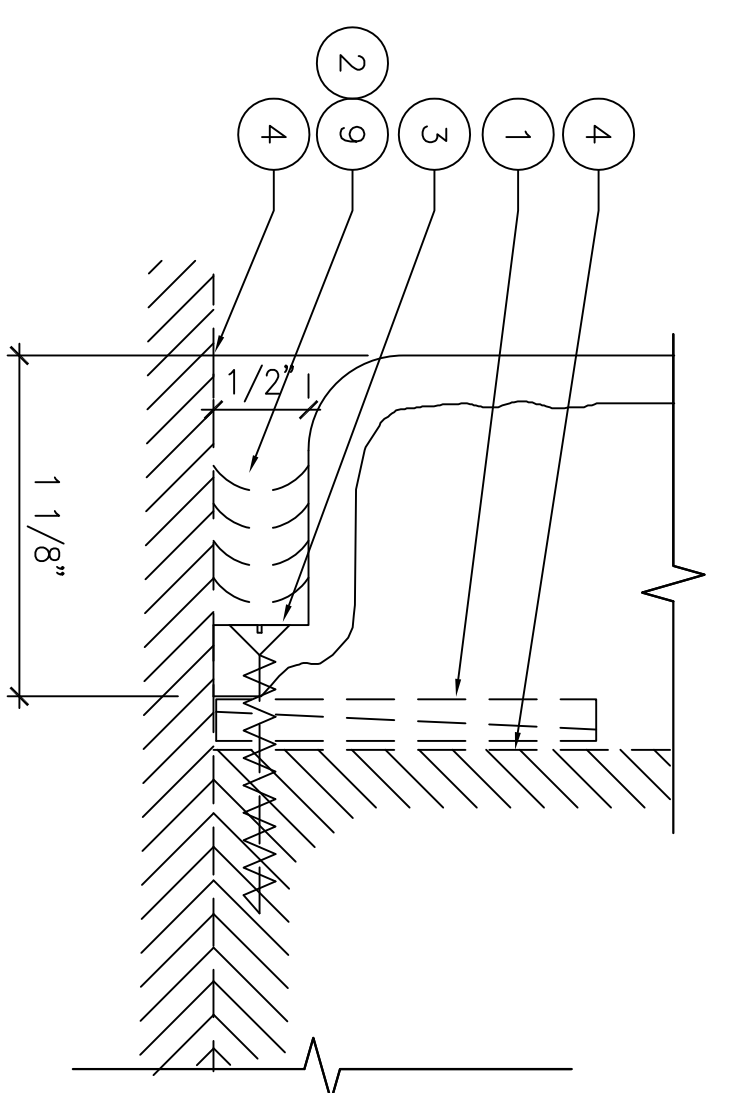
11 ELEVATION  
SCALE: 3/4"=1'-0"  
06 / P11



10 ELEVATION  
SCALE: 3/4"=1'-0"  
05 / P11

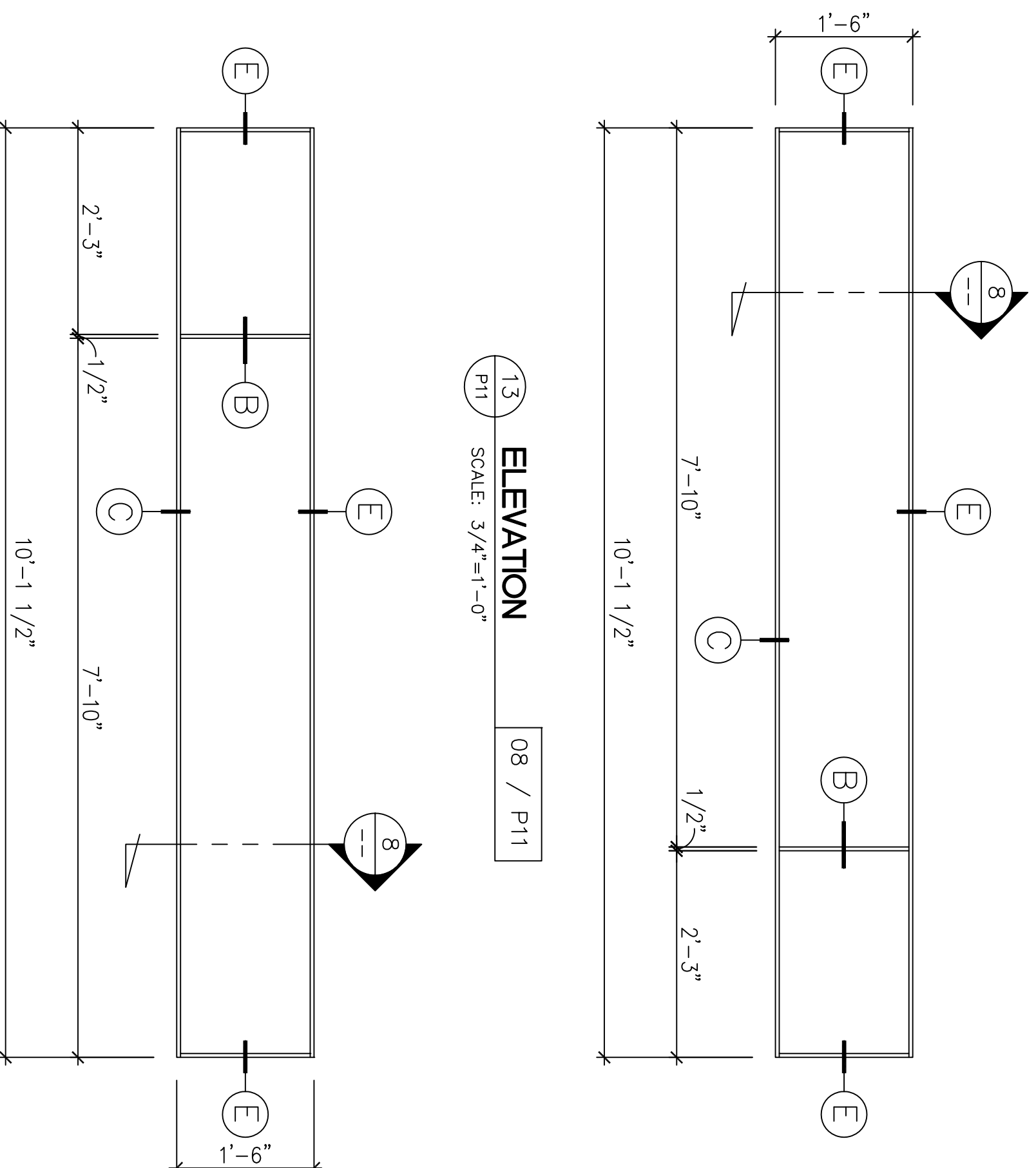


9 ELEVATION  
SCALE: 3/4"=1'-0"  
04 / P11



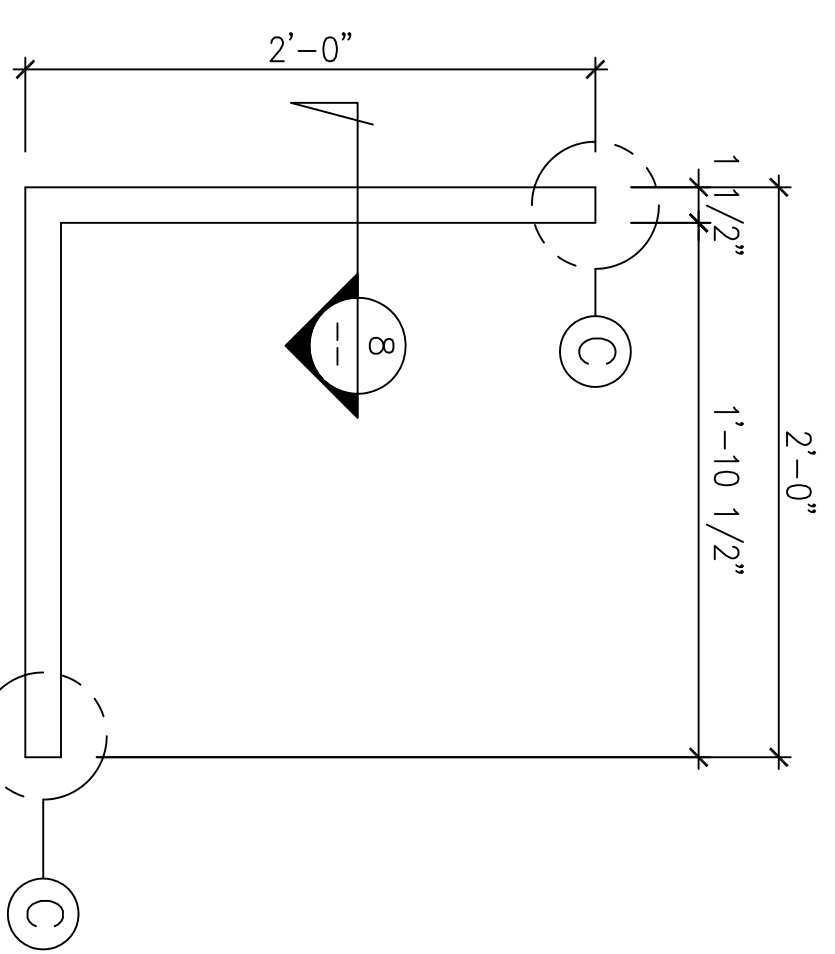
CONNECTION DETAIL

FULL E

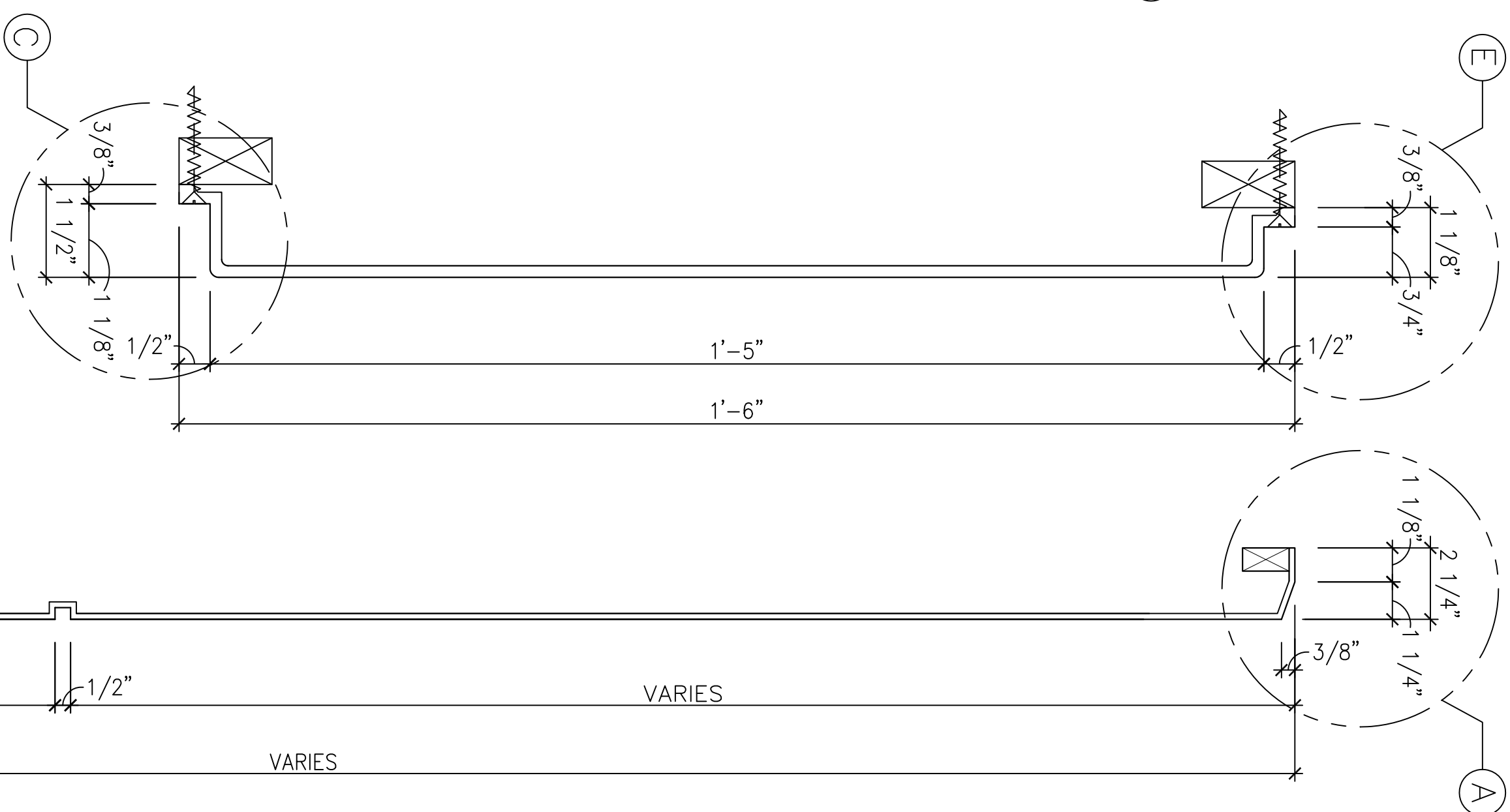


13 ELEVATION  
SCALE: 3/4"=1'-0"  
08 / P11

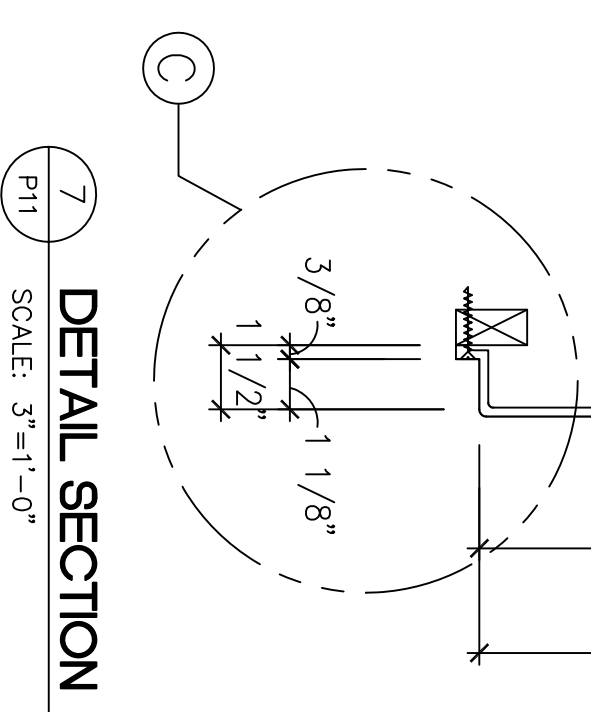
14 ELEVATION  
SCALE: 3/4"=1'-0"  
08 / P11



12 PLAN VIEW  
SCALE: 1 1/2"=1'-0"  
07 / P11



8 DETAIL SECTION  
SCALE: 6"=1'-0"  
07 / P11



7 DETAIL SECTION  
SCALE: 3"=1'-0"  
07 / P11

REQ'D :

( 12 )	04 / P11	FRP FLAT PANEL 5-3 7/8"H x 5'-8"W x 1 1/2"D
( 24 )	05 / P11	FRP FLAT PANEL 5-1 7/8"H x 5'-8"W x 1 1/2"D
( 12 )	06 / P11	FRP FLAT PANEL 2-10 5/8"H x 5'-8"W x 1 1/2"D
( 24 )	07 / P11	FRP FLAT PANEL - OSC 2'-0" x 2'-0" SQ.
( 12 )	08 / P11	FRP FLAT PANEL - RIGHT 1'-6"H x 10'-1 1/2"W x 1 1/2"D
( 12 )	08 / P11	FRP FLAT PANEL - LEFT 1'-6"H x 10'-1 1/2"W x 1 1/2"D

TOTAL : ( 96 )

CONNECTION DETAIL

FULL D

FRP FLAT PANELS - BUILDING II

AS SHOWN

1

REVISION NO.	BR.

WOODLAND GLEN  
BUILDINGS I AND II  
LEXINGTON, KENTUCKY

FIRST CLASS BUILDING PRODUCTS

3600 DALLAS HIGHWAY SUITE 230-387  
MARIETTA, GEORGIA 30064 USA  
Phone 770.514.8141 Fax 770.514.0731

DRAWN BY:	TAN
CHECKED BY:	M.S.
DATE:	07.15.2013
SCALE:	AS SHOWN
WOODLAND I P11.DWG	

P11  
CONT

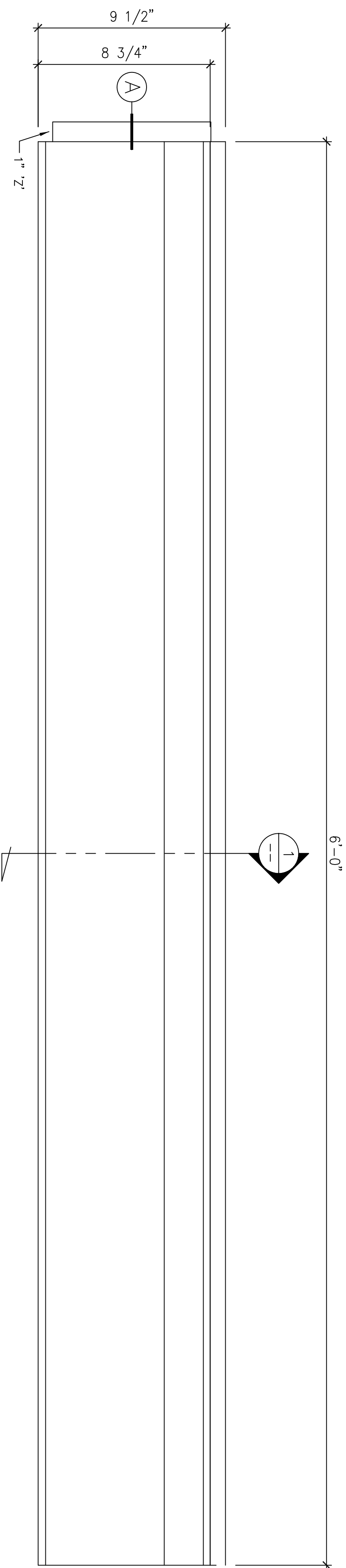




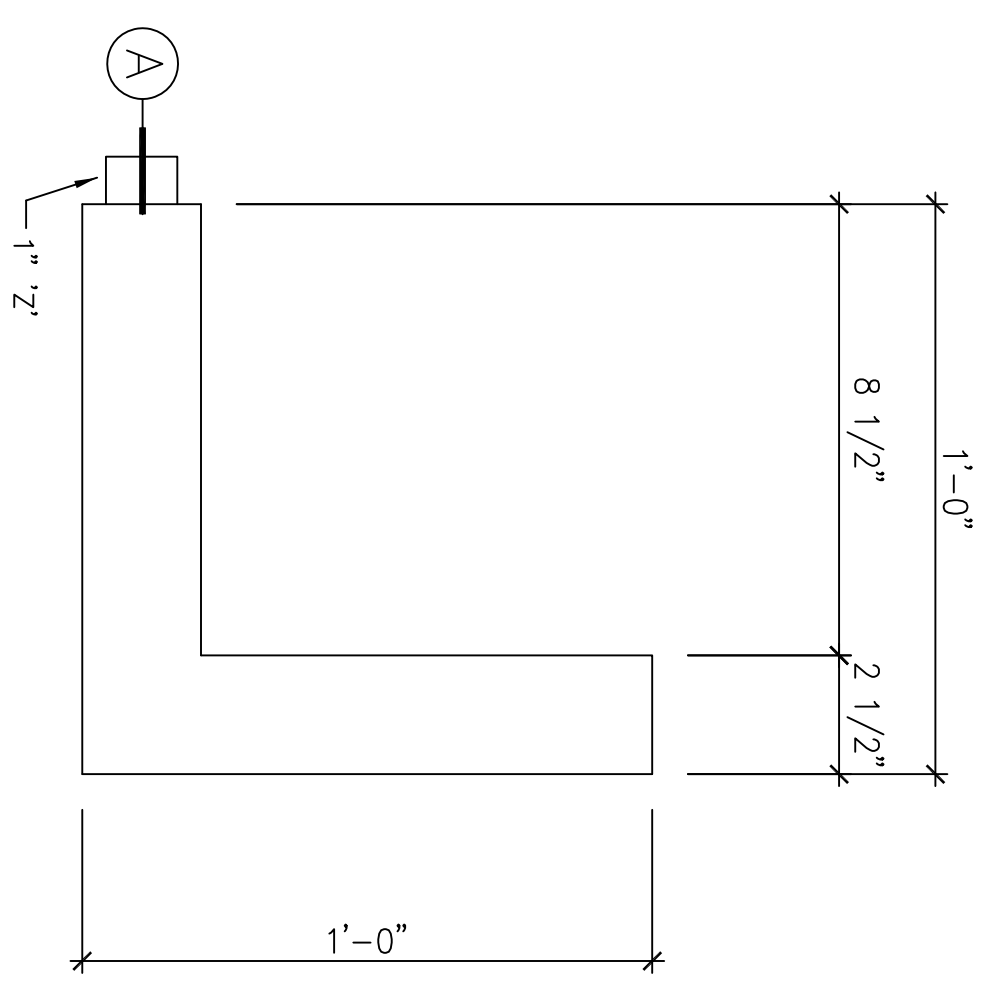




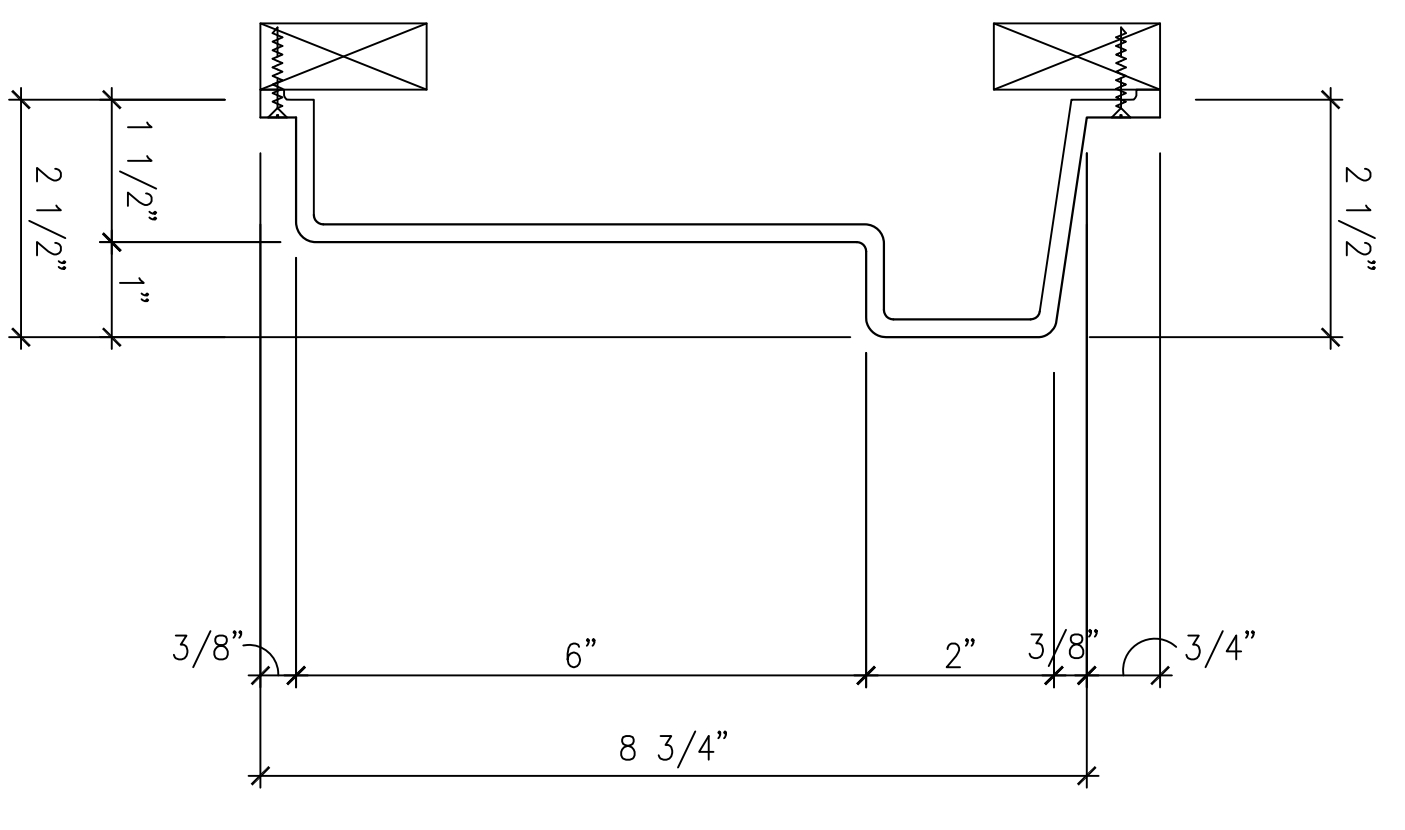




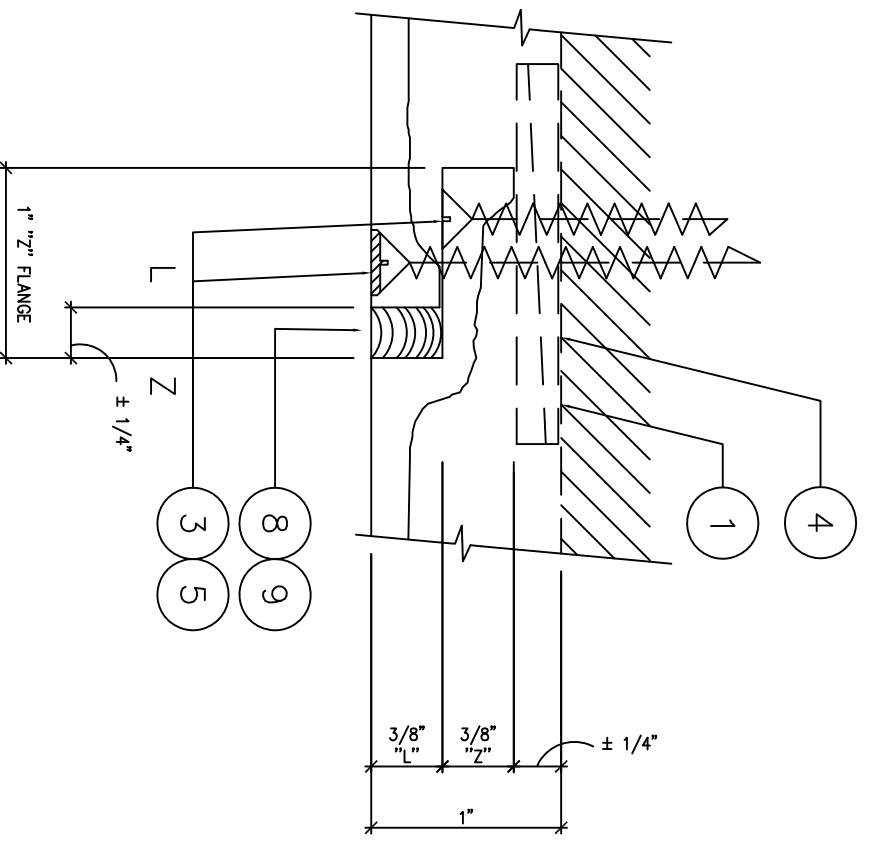
2 ELEVATION  
SCALE: 3"=1'-0"  
01 / P17



3 PLAN VIEW  
SCALE: 3"=1'-0"  
02 / P17



1 DETAIL SECTION  
SCALE: 6"=1'-0"  
P17



CONNECTION DETAIL  
FULL  
A

REQ'D :	( 8 )	01 / P17	FRP TRANSITION TRIM
	( 4 )	02 / P17	FRP TRANSITION TRIM - OSC
TOTAL :	( 12 )		

FRP TOWER TRANSITION TRIM - BUILDING II

AS SHOWN  
1

REVISION NO.	BR:

WOODLAND GLEN  
BUILDINGS I AND II  
LEXINGTON, KENTUCKY

FIRST CLASS BUILDING PRODUCTS

3600 DALLAS HIGHWAY • SUITE 230-387  
MARIETTA, GEORGIA 30064 • USA  
Phone 770.514.8141 • Fax 770.514.0731

DRAWN BY:	TAN
CHECKED BY:	M.S.
DATE:	07.15.2013
SCALE:	AS SHOWN
CAD FILE NO.:	WOODLAND1_P17.DWG

P17  
DRAWING: 01 OF 24