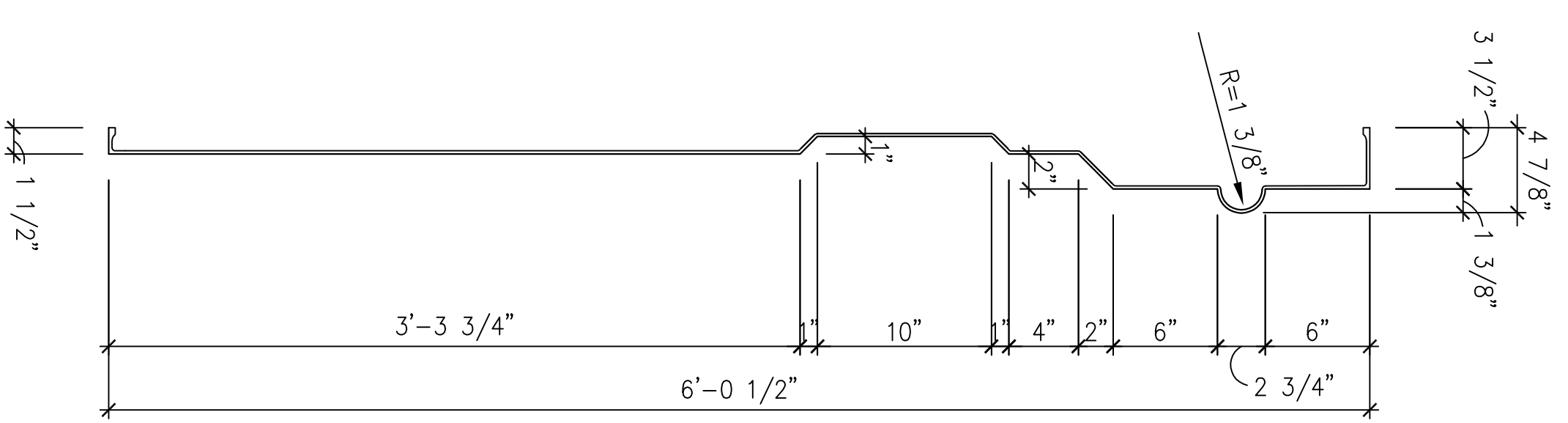
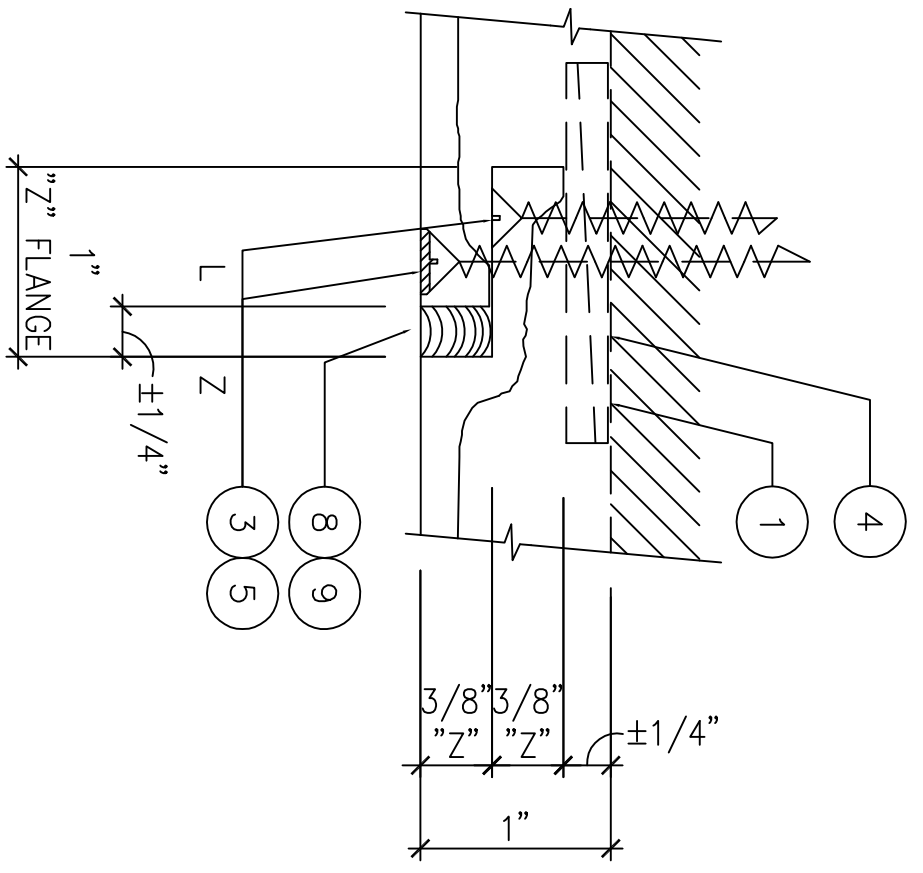


2 ELEVATION 01 / P2
SCALE: 6"=1'-0"



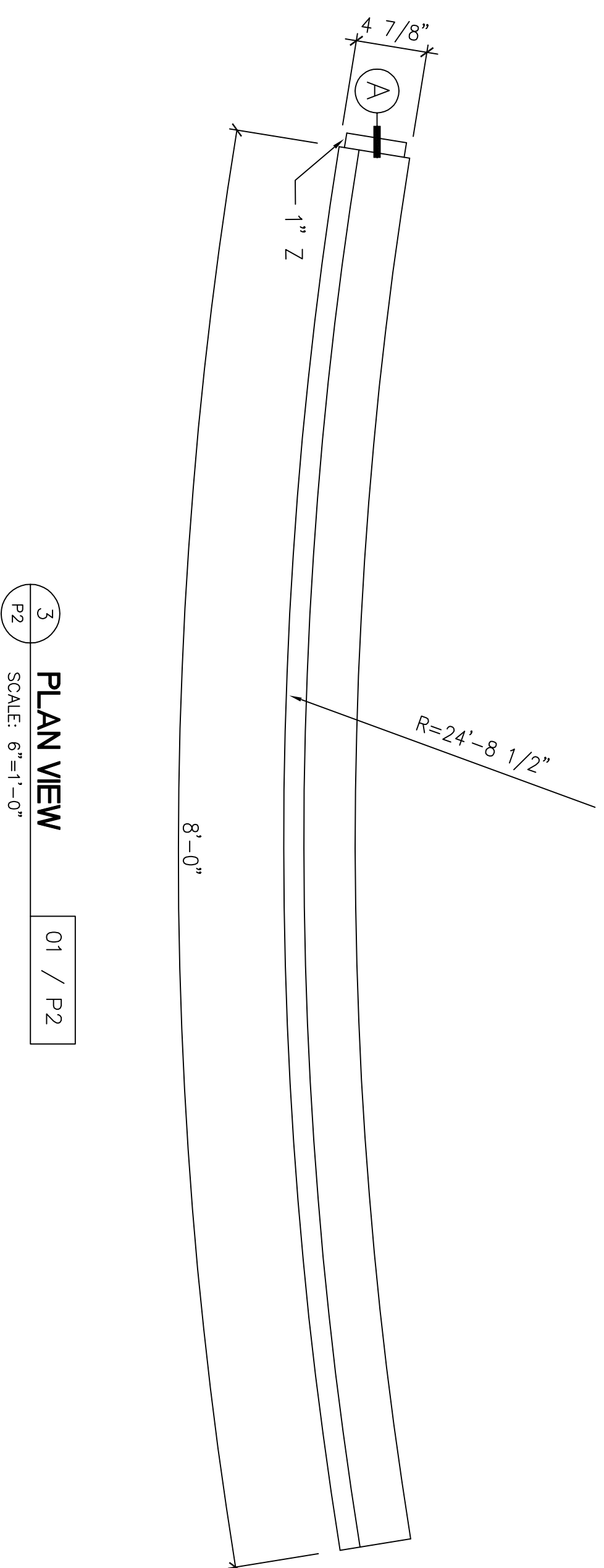
1 SECTION DETAIL 01 / P2
SCALE: 6"=1'-0"



CONNECTION DETAIL

FULL

A



3 PLAN VIEW 01 / P2
SCALE: 6"=1'-0"

VERIFY RADIUS

REQ'D : (9) 01 / P2
FRP CORNICE
6'-0 1/2" H x 4 7/8" D
8'-0" L ARCHED 7/1
TOTAL : (9)

GFRP CORNICE - FACTORY FINISHED SIMULATED STONE

AS SHOWN

1

REVISION NO. BR:

THE PEOPLE'S BANK
GLASGOW, KENTUCKY

FIRST CLASS BUILDING PRODUCTS

3600 DALLAS HIGHWAY • SUITE 230-387
MARIETTA, GEORGIA 30064 • USA
Phone 770.514.8141 • Fax 770.514.0731

DRAWN BY: TAN
CHECKED BY:
DATE: 03.05.2018
SCALE: AS SHOWN
JOB FILE NO. PB_P2/DWG

P2
DRAWING OF 12