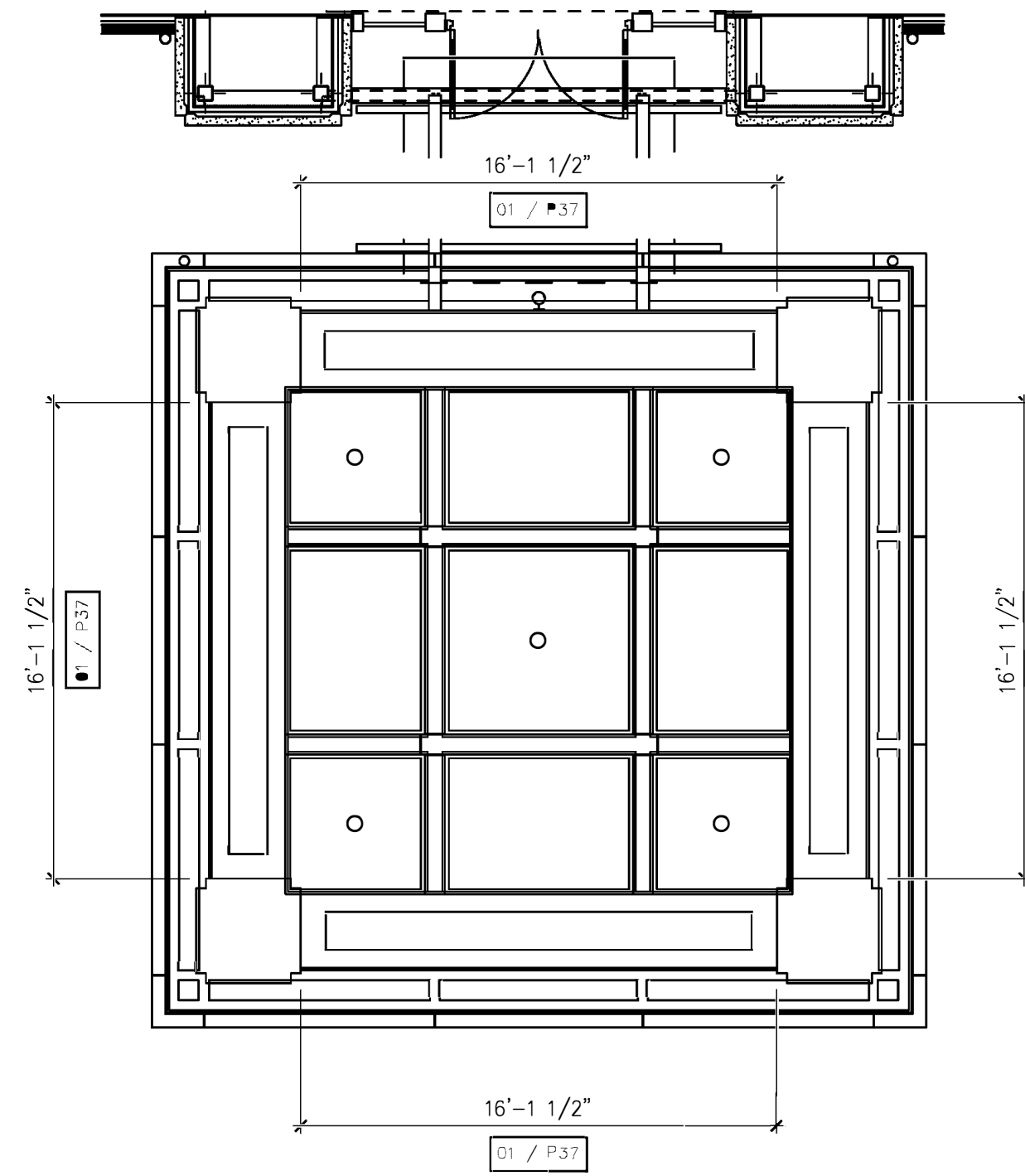
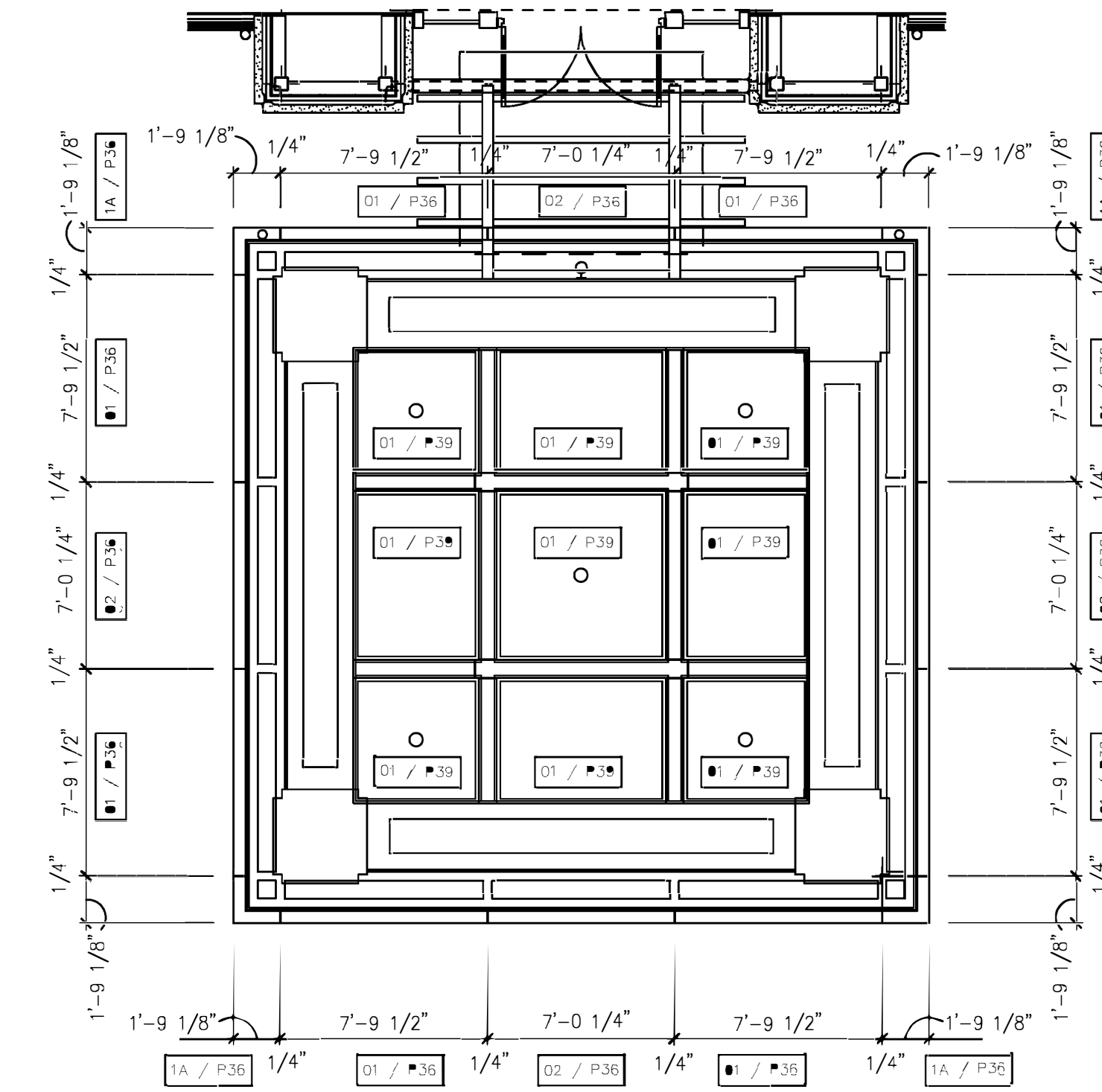


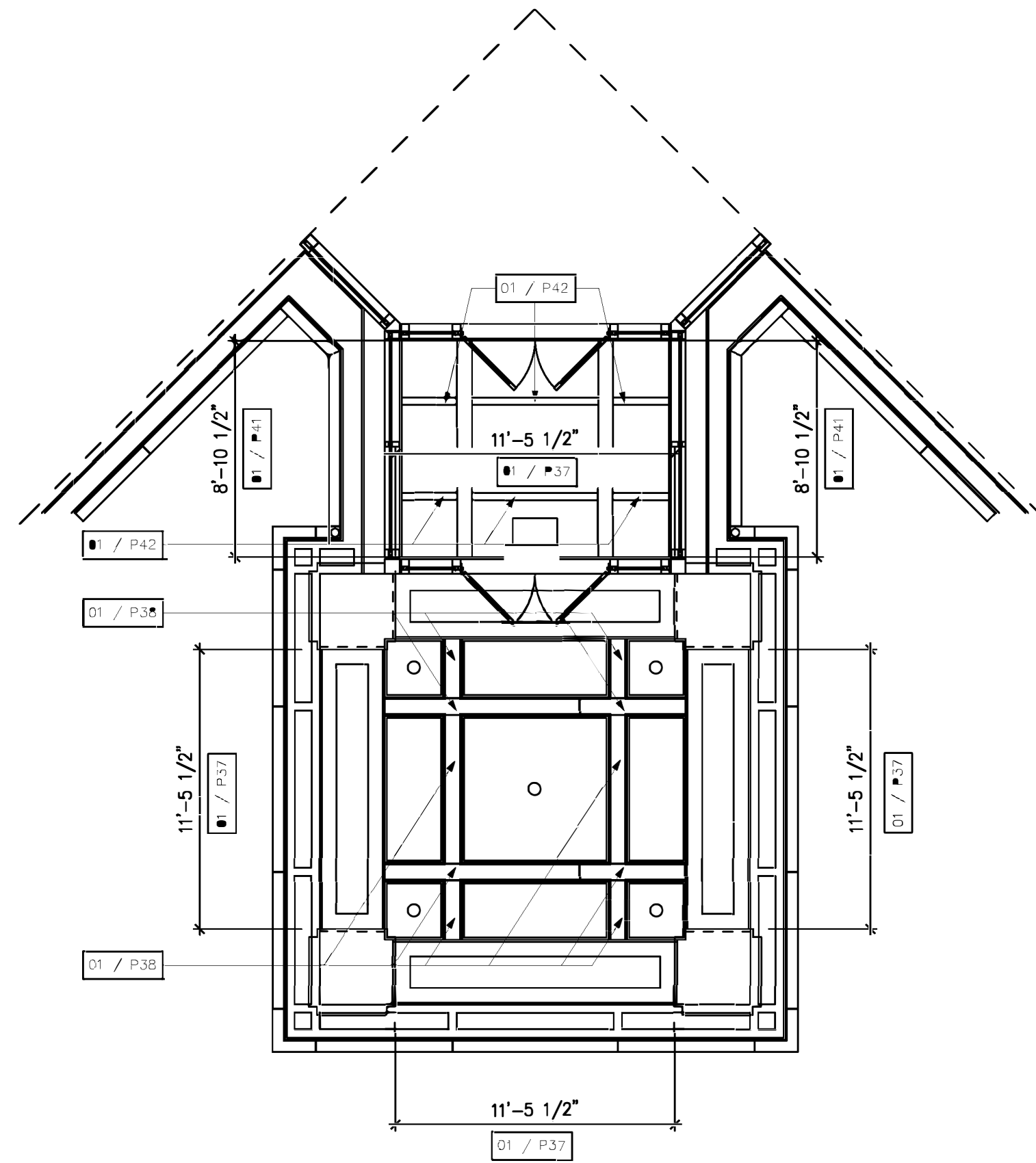
3 THREE SIDED BEAM PLAN • PAVILION CEILINGS
SCALE: 1/2" = 1'-0"



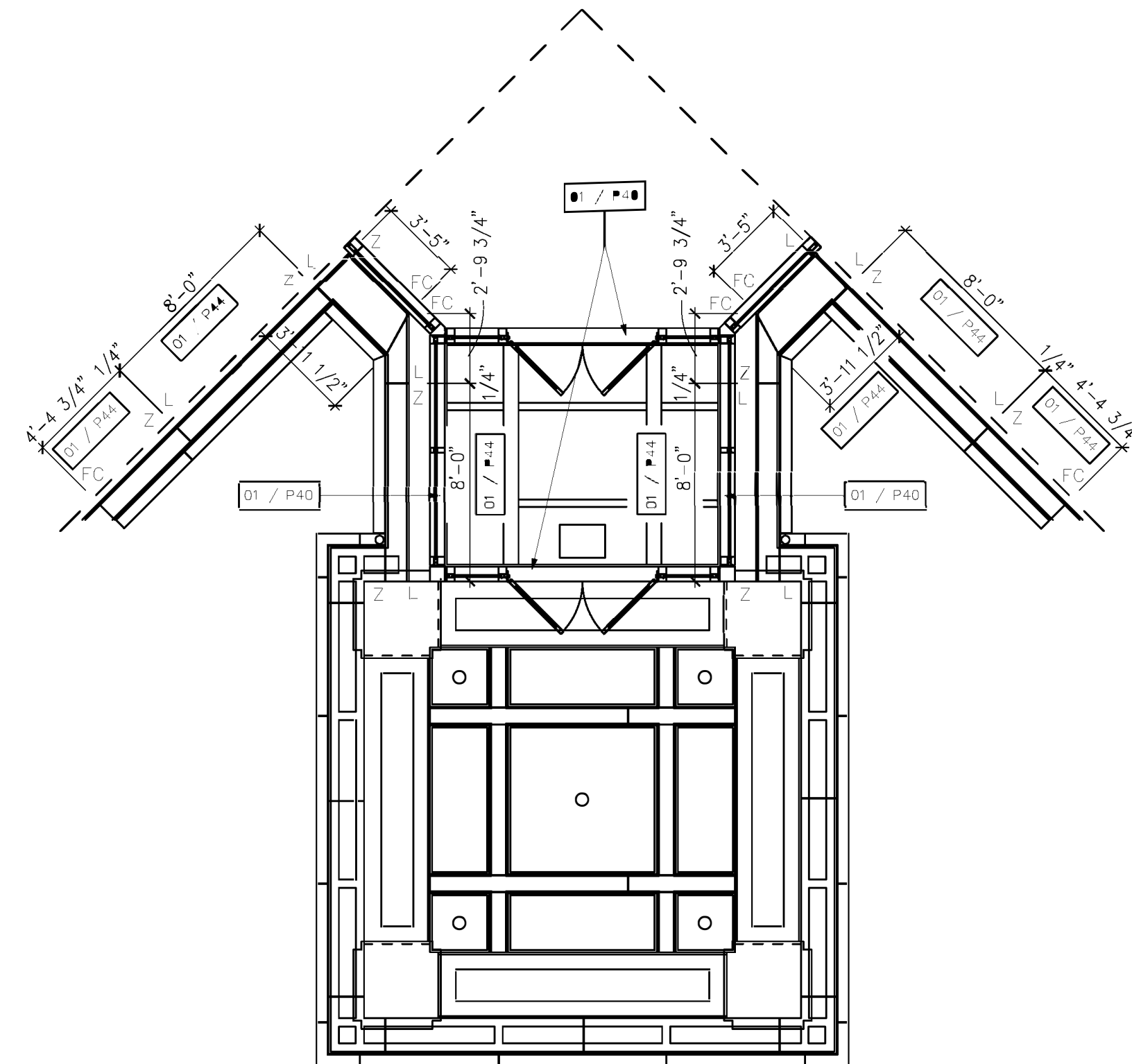
2 SOFFIT BEAM PLAN • PAVILION CEILINGS
SCALE: 1/2" = 1'-0"



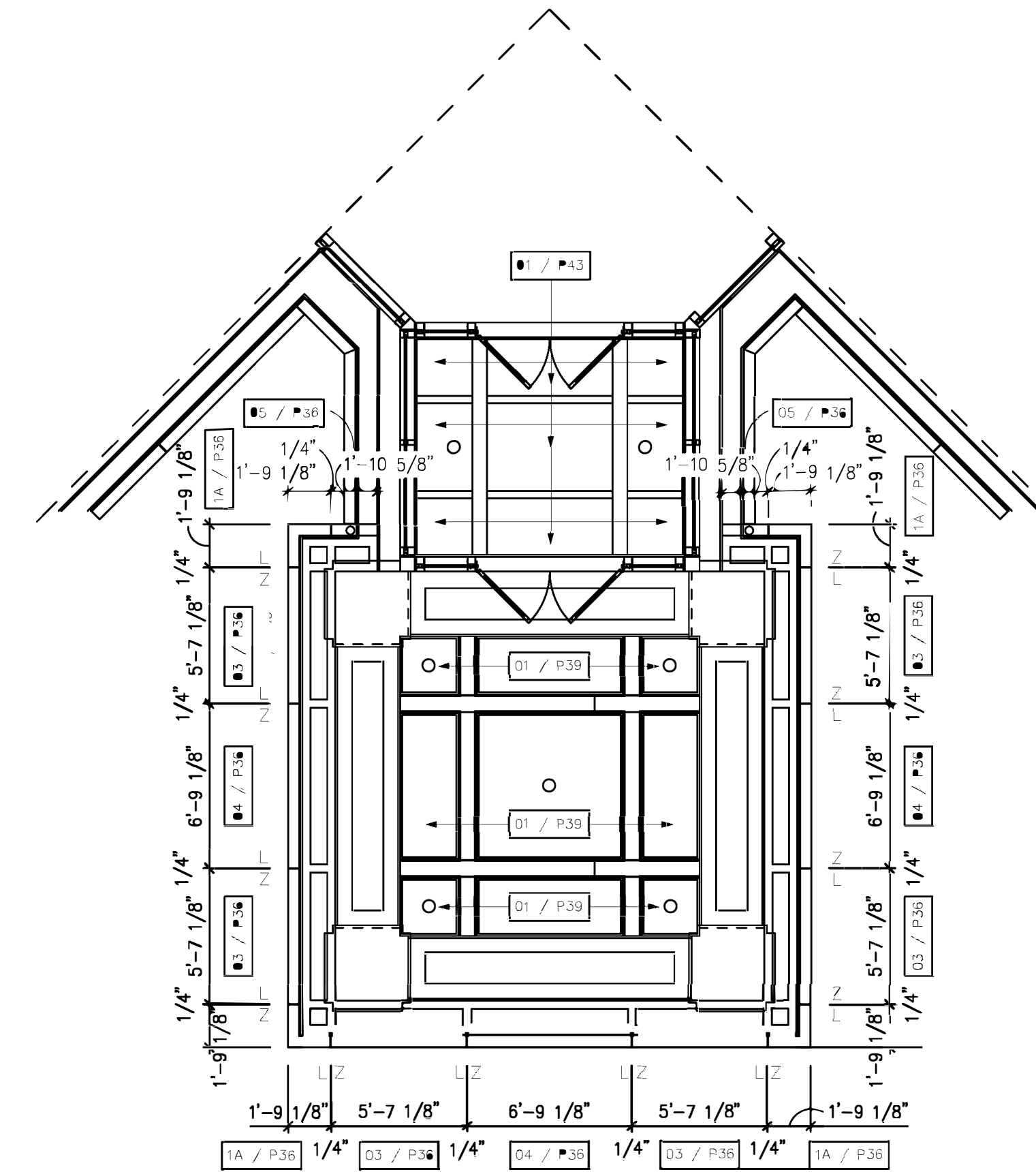
1 FASCIA SOFFIT and CEILING PANELS • PAVILION CEILINGS
SCALE: 1/2" = 1'-0"



6 BEAMS AND TRIMS
SCALE: 1/2" = 1'-0"



5 SOFFIT PANELS AND FASCIA
SCALE: 1/2" = 1'-0"



4 FASCIA SOFFIT AND CEILING PANELS
SCALE: 1/2" = 1'-0"

REVISION NO	BY

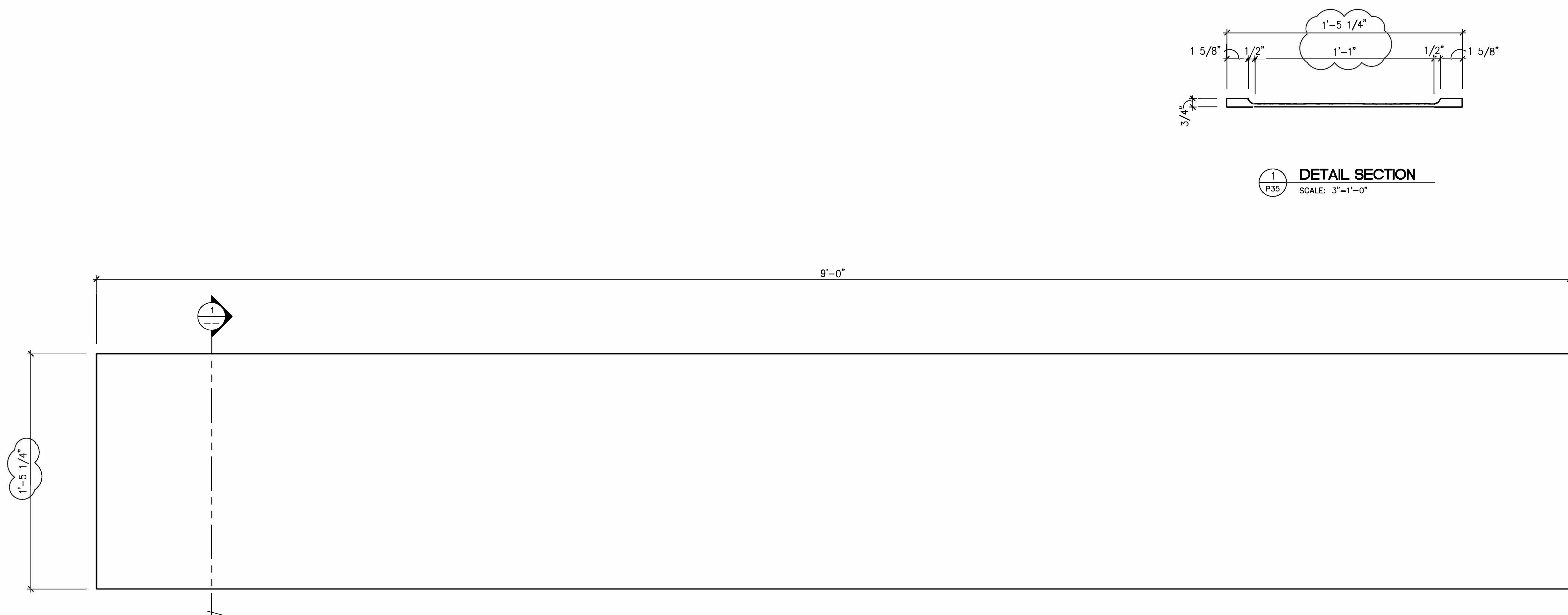
THE COMMONS HOUSING II
LIBERTY UNIVERSITY
LYNCHBURG, VIRGINIA

FIRST CLASS BUILDING PRODUCTS
3600 DALLAS HIGHWAY • SUITE 230-387
MARIETTA, GEORGIA 30064 • USA
Phone 770.514.8141 • Fax 770.514.0731

DRAWN BY:	TAN
CHECKED BY:	M.S.
DATE:	05.13.15
SCALE:	AS SHOWN
DWG FILE NO:	LIBERTY2_F12.DWG

F12

REVISION NO.	BY:



1
P35
DETAIL SECTION
SCALE: 3"=1'-0"

2
P35
REFLECTED PLAN VIEW 01 / P35
SCALE: 3"=1'-0"

REQ'D : (10) 01 / P35 **FRP PERGOLA SOFFIT PANEL**
1'-5 1/4"H x 3/4"D
9'-0" STRAIGHT LENGTH

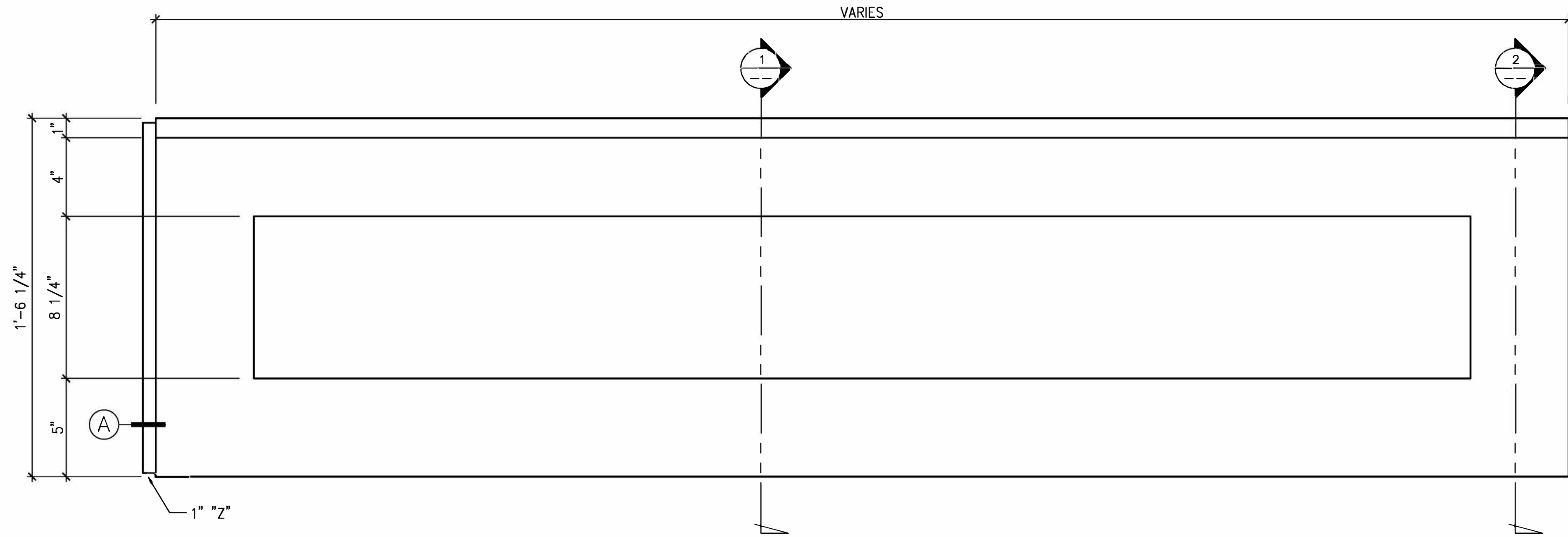
TOTAL : (10)

THE COMMONS HOUSING II
LIBERTY UNIVERSITY
LYNCHBURG, VIRGINIA

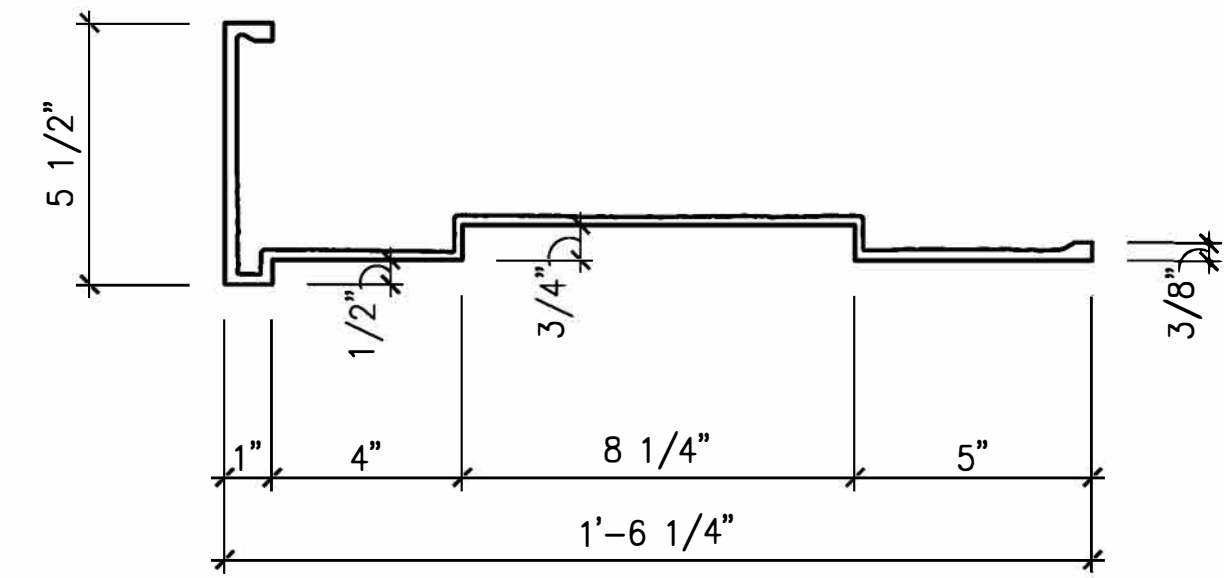
FIRST CLASS BUILDING PRODUCTS
3600 DALLAS HIGHWAY • SUITE 230-387
MARIETTA, GEORGIA 30064 • USA
Phone 770.514.8141 • Fax 770.514.0731

DRAWN BY:	TAN
CHECKED BY:	M.S.
DATE:	05.13.15
SCALE:	AS SHOWN
CAD FILE NO.:	LIBERTY2_P35.DWG

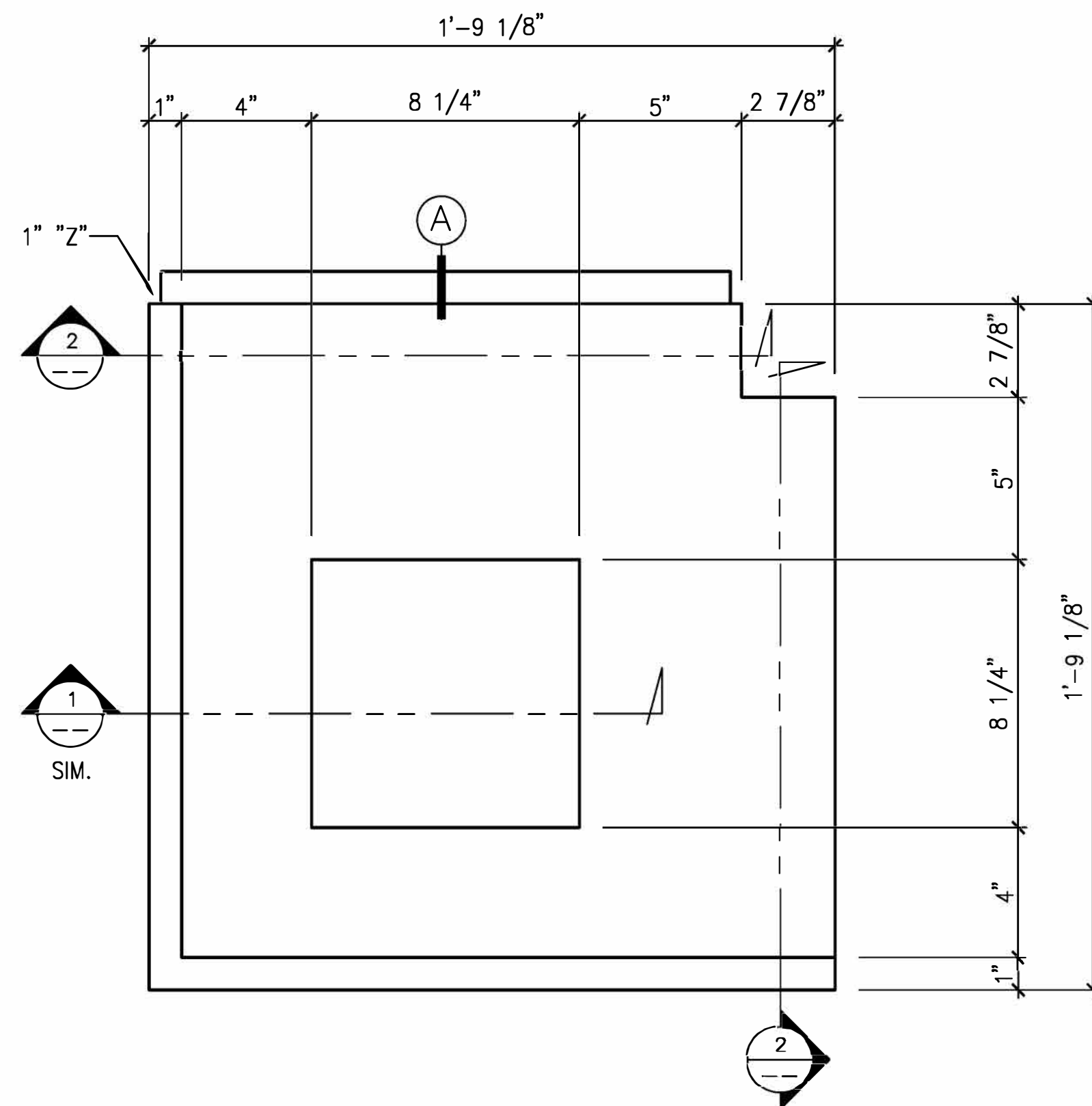
P35



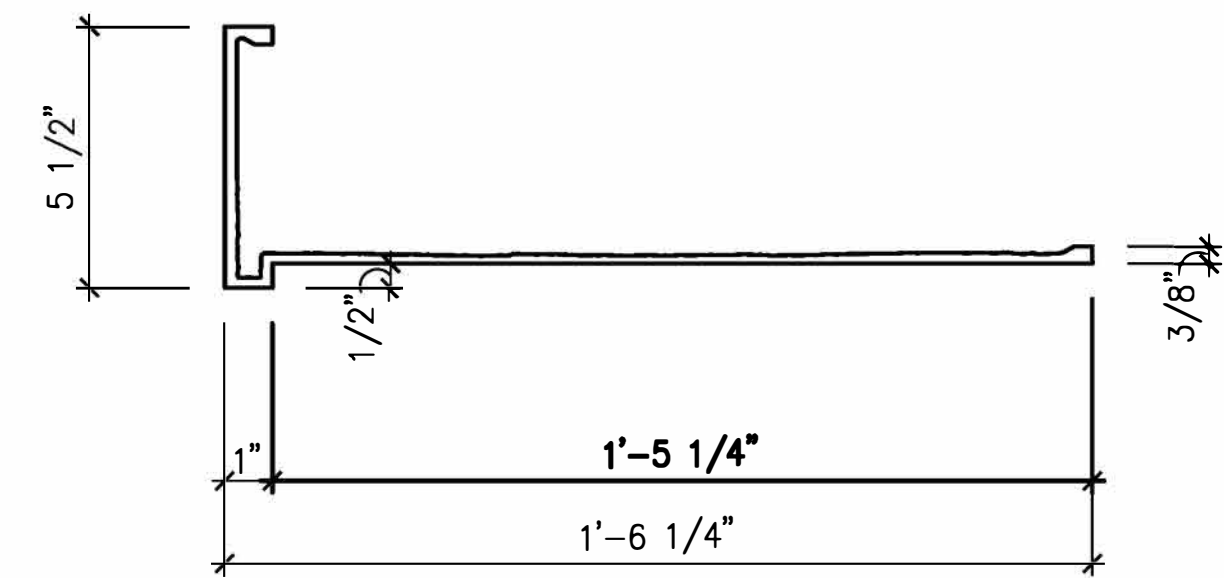
3 STRAIGHT REFLECTED PLAN VIEW 01 / P36
SCALE: 3"=1'-0"



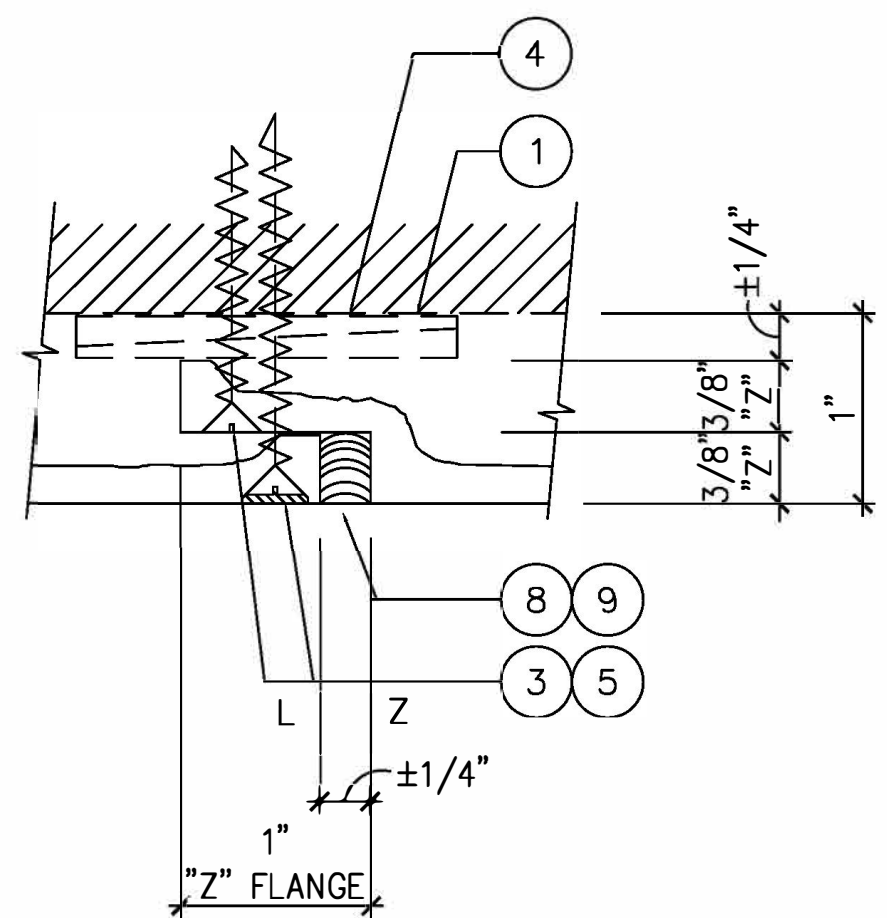
1 DETAIL SECTION P36
SCALE: 3"=1'-0"



4 CORNER REFLECTED PLAN VIEW 1A / P36
SCALE: 3"=1'-0"



2 DETAIL SECTION P36
SCALE: 3"=1'-0"



- REQ'D : (16) 01 / P36 FRP FASCIA SOFFIT
5 1/2"H x 1'-6 1/4"D
7'-9 1/2" STRAIGHT LENGTH
- (12) 1A / P36 FRP FASCIA SOFFIT - OSC
5 1/2"H x 1'-6 1/4"D
1'-9 1/8" x 1'-9 1/8" SQ.
- (8) 02 / P36 FRP FASCIA SOFFIT
5 1/2"H x 1'-6 1/4"D
7'-0 1/4" STRAIGHT LENGTH
- (6) 03 / P36 FRP FASCIA SOFFIT
5 1/2"H x 1'-6 1/4"D
5'-7 1/8" STRAIGHT LENGTH
- (3) 04 / P36 FRP FASCIA SOFFIT
5 1/2"H x 1'-6 1/4"D
6'-9 1/8" STRAIGHT LENGTH
- (2) 05 / P36 FRP FASCIA SOFFIT
5 1/2"H x 1'-6 1/4"D
1'-10 5/8" STRAIGHT LENGTH

TOTAL : (47)

CONNECTION DETAIL

FULL

A

FRP FASCIA SOFFIT @ PAVILION CEILINGS

AS SHOWN

1

REVISION NO.	BY

THE COMMONS HOUSING II
LIBERTY UNIVERSITY
LYNCHBURG, VIRGINIA

FIRST CLASS BUILDING PRODUCTS

3600 DALLAS HIGHWAY • SUITE 230-387
MARIETTA, GEORGIA 30064 • USA
Phone 770.514.8141 • Fax 770.514.0731

DRAWN BY:	TAN
CHECKED BY:	M.S.
DATE:	05.13.15
SCALE:	AS SHOWN
QAD FILE NO.:	LIBERTY2_P36.DWG

P36

REVISION NO.	BY

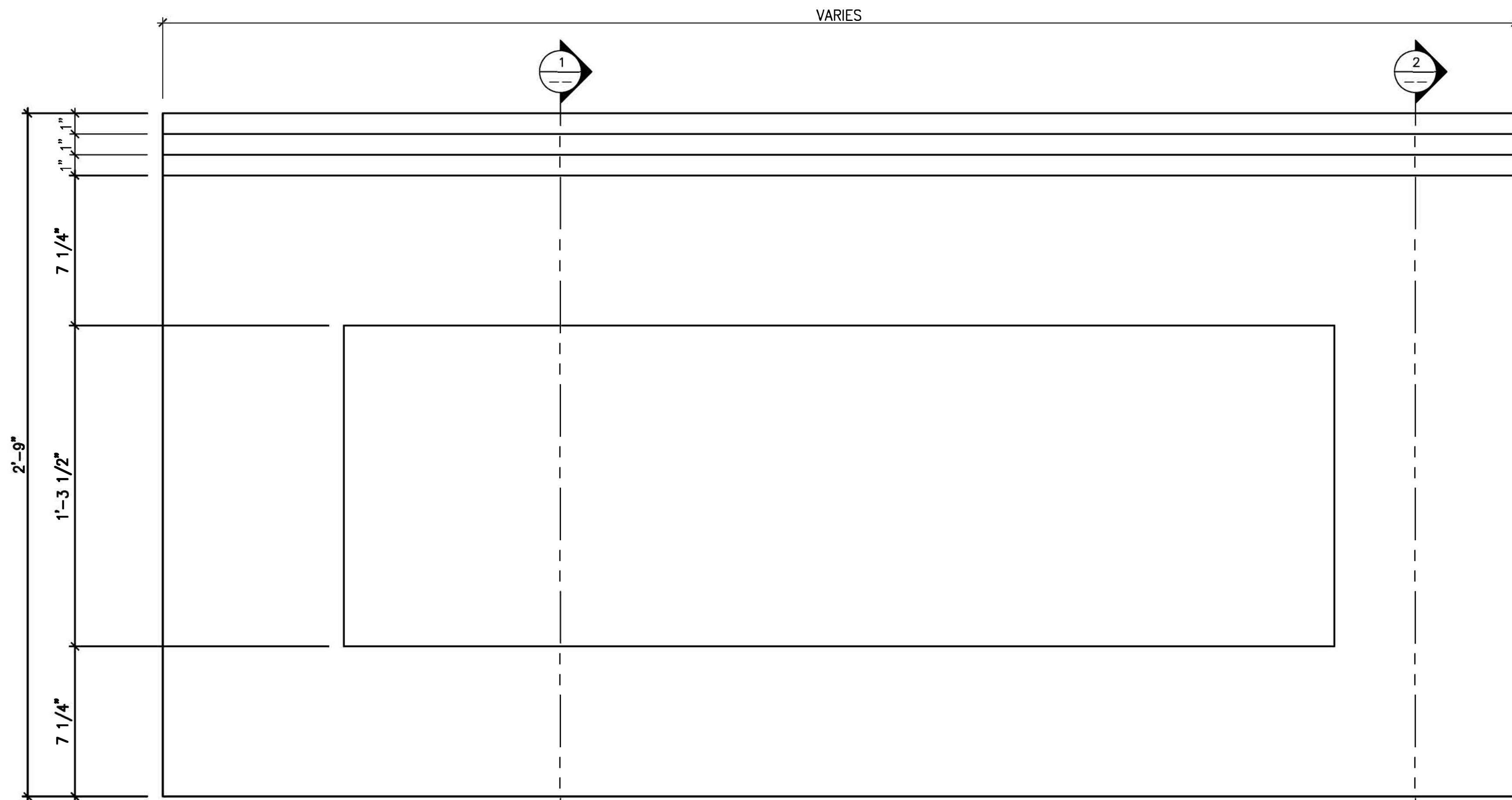
THE COMMONS HOUSING II
LIBERTY UNIVERSITY
LYNCHBURG, VIRGINIA

FIRST CLASS BUILDING PRODUCTS

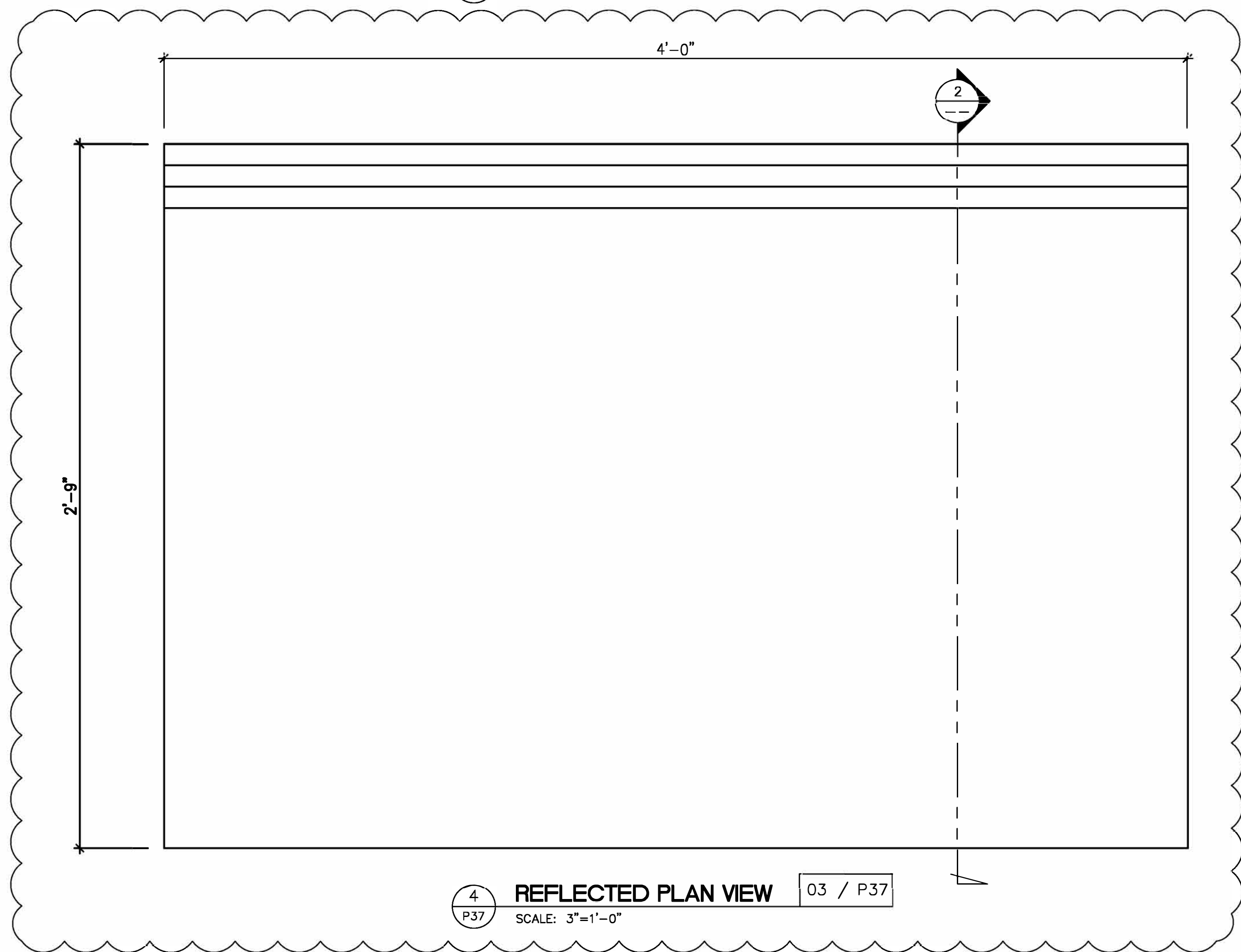
3600 DALLAS HIGHWAY • SUITE 230-387
 MARIETTA, GEORGIA 30064 • USA
 Phone 770.514.8141 • Fax 770.514.0731

DRAWN BY:	TAN
CHECKED BY:	M.S.
DATE:	05.13.15
SCALE:	AS SHOWN
CDW FILE NO.:	LIBERTY2_P37.DWG

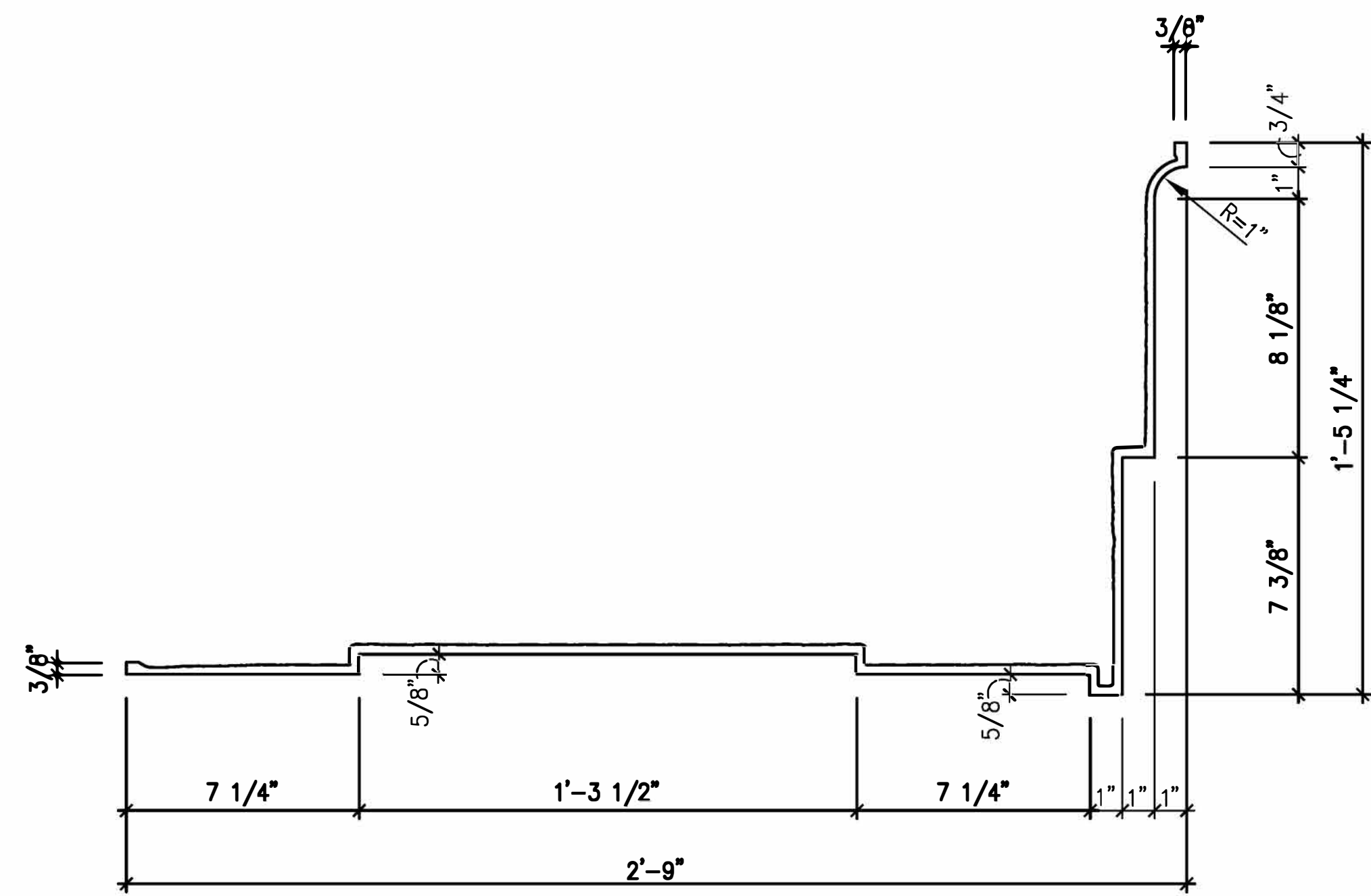
P37



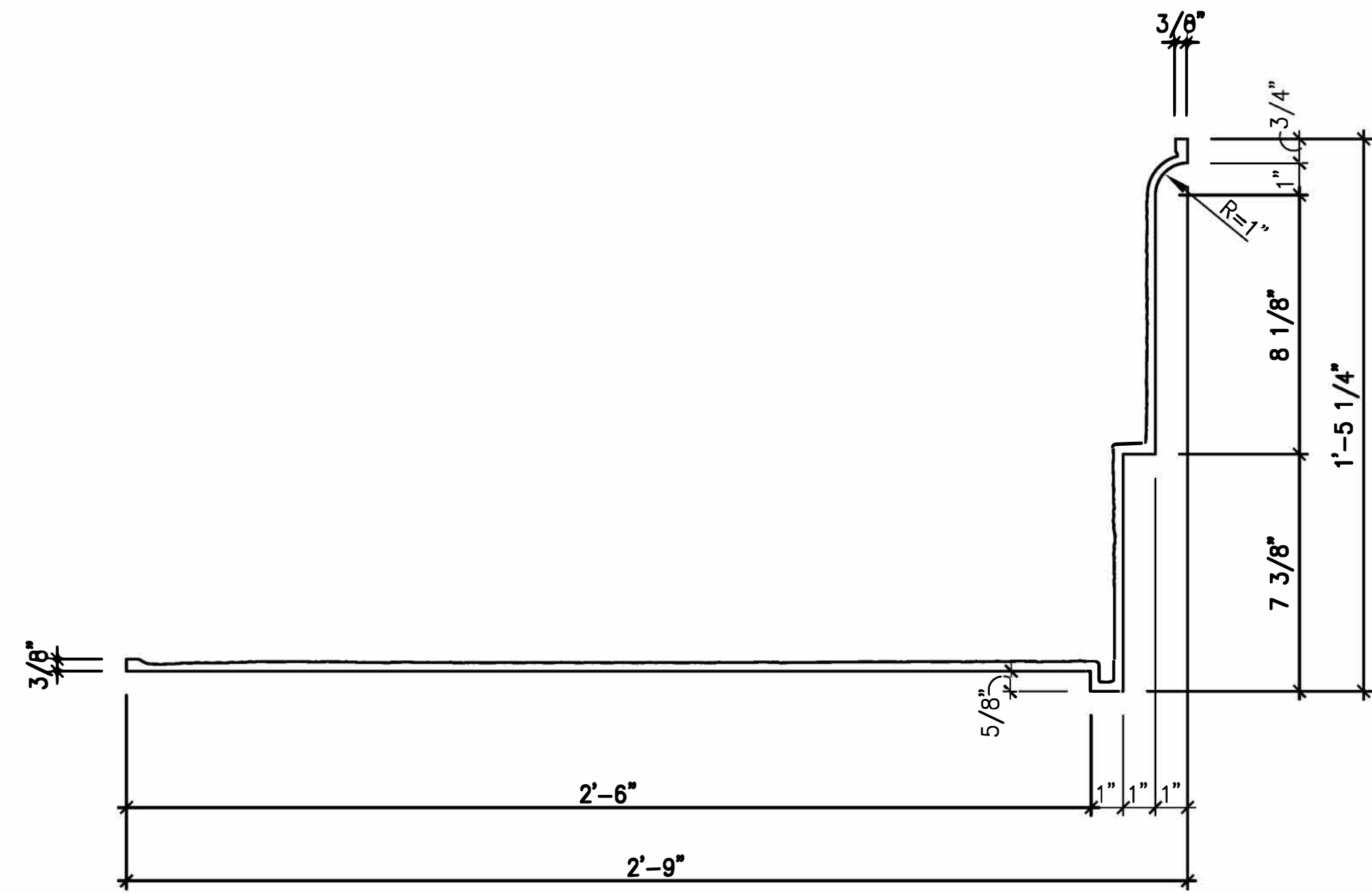
3 REFLECTED PLAN VIEW 01 / P37
 SCALE: 3"=1'-0"



4 REFLECTED PLAN VIEW 03 / P37
 SCALE: 3"=1'-0"



1 DETAIL SECTION
 SCALE: 3"=1'-0"

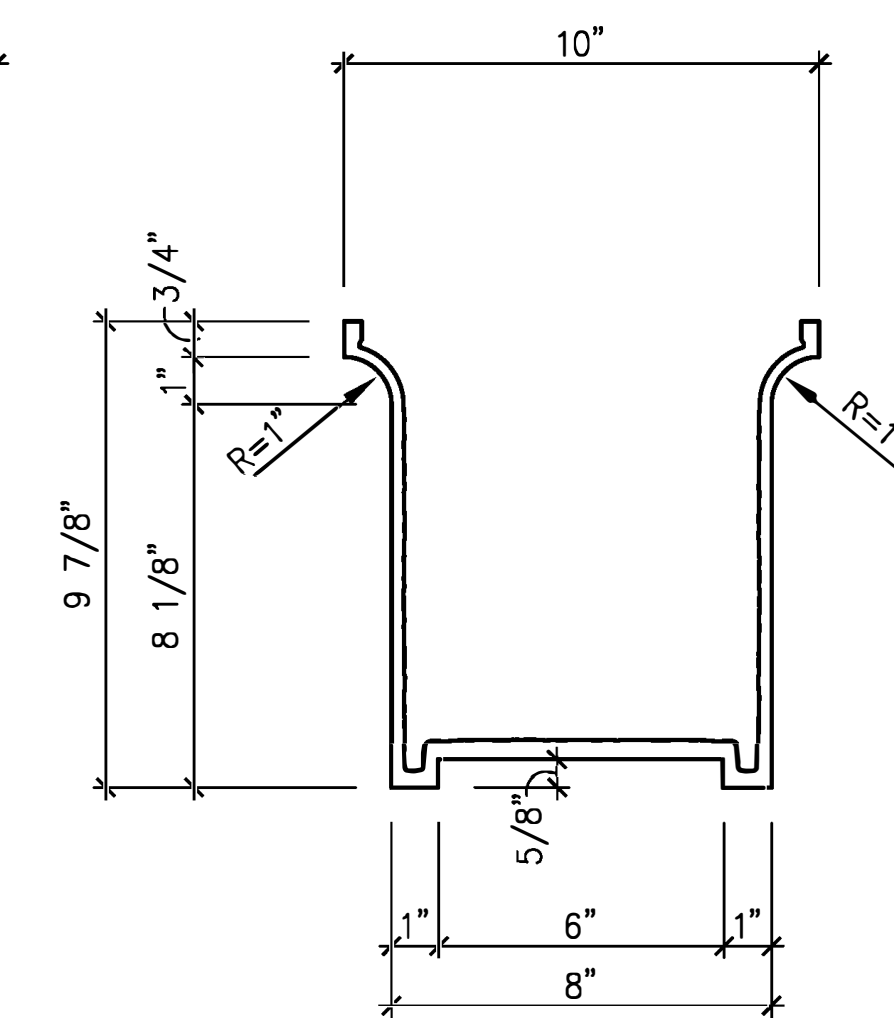
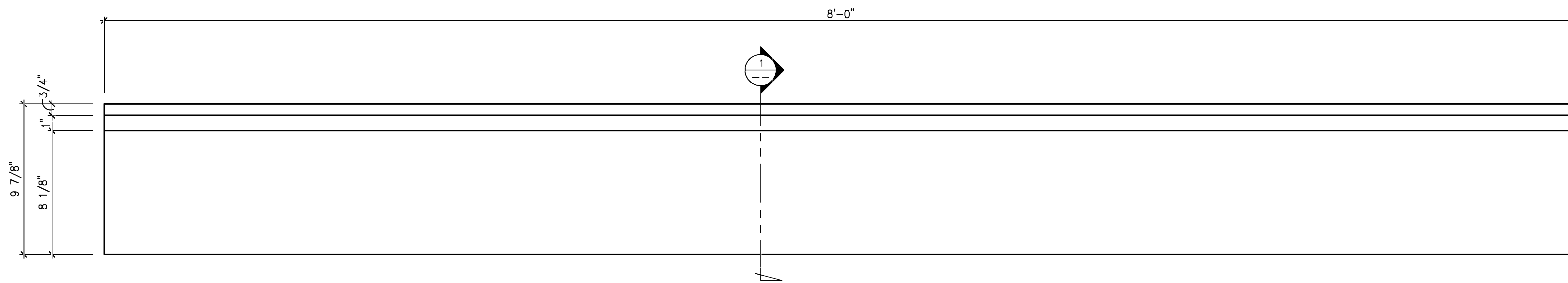


2 DETAIL SECTION
 SCALE: 3"=1'-0"

- REQ'D : (8) 01 / P37 FRP SOFFIT BEAM
 1'-5 1/4"H x 2'-9"D
 16'-1 1/2" STRAIGHT LENGTH
- (4) 02 / P37 FRP SOFFIT BEAM
 1'-5 1/4"H x 2'-9"D
 11'-5 1/2" STRAIGHT LENGTH
- (4) 03 / P37 FRP SOFFIT BEAM
 1'-5 1/4"H x 2'-9"D
 4'-0" STRAIGHT LENGTH

TOTAL : (16)

NOTE:
 FIELD CUT 03/P37 PANELS
 AS NEEDED TO FILL VOID
 IN CORNERS



2
P38 STRAIGHT ELEVATION 01 / P38
SCALE: 3"=1'-0"

1
P38 DETAIL SECTION
SCALE: 3"=1'-0"

REQ'D : (36) 01 / P38 FRP THREE SIDED BEAM
9 7/8"H x 10"D
8'-0" STRAIGHT LENGTH

TOTAL : (36)

REVISION NO.	BY

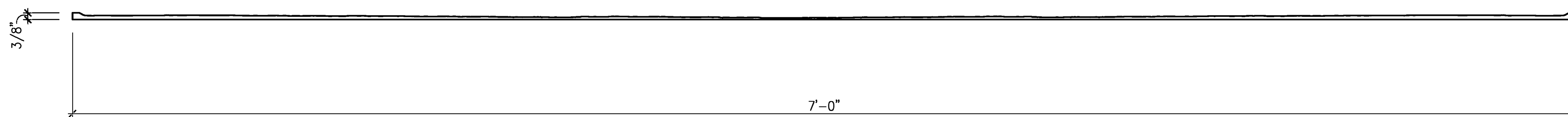
THE COMMONS HOUSING II
LIBERTY UNIVERSITY
LYNCHBURG, VIRGINIA

FIRST CLASS BUILDING PRODUCTS

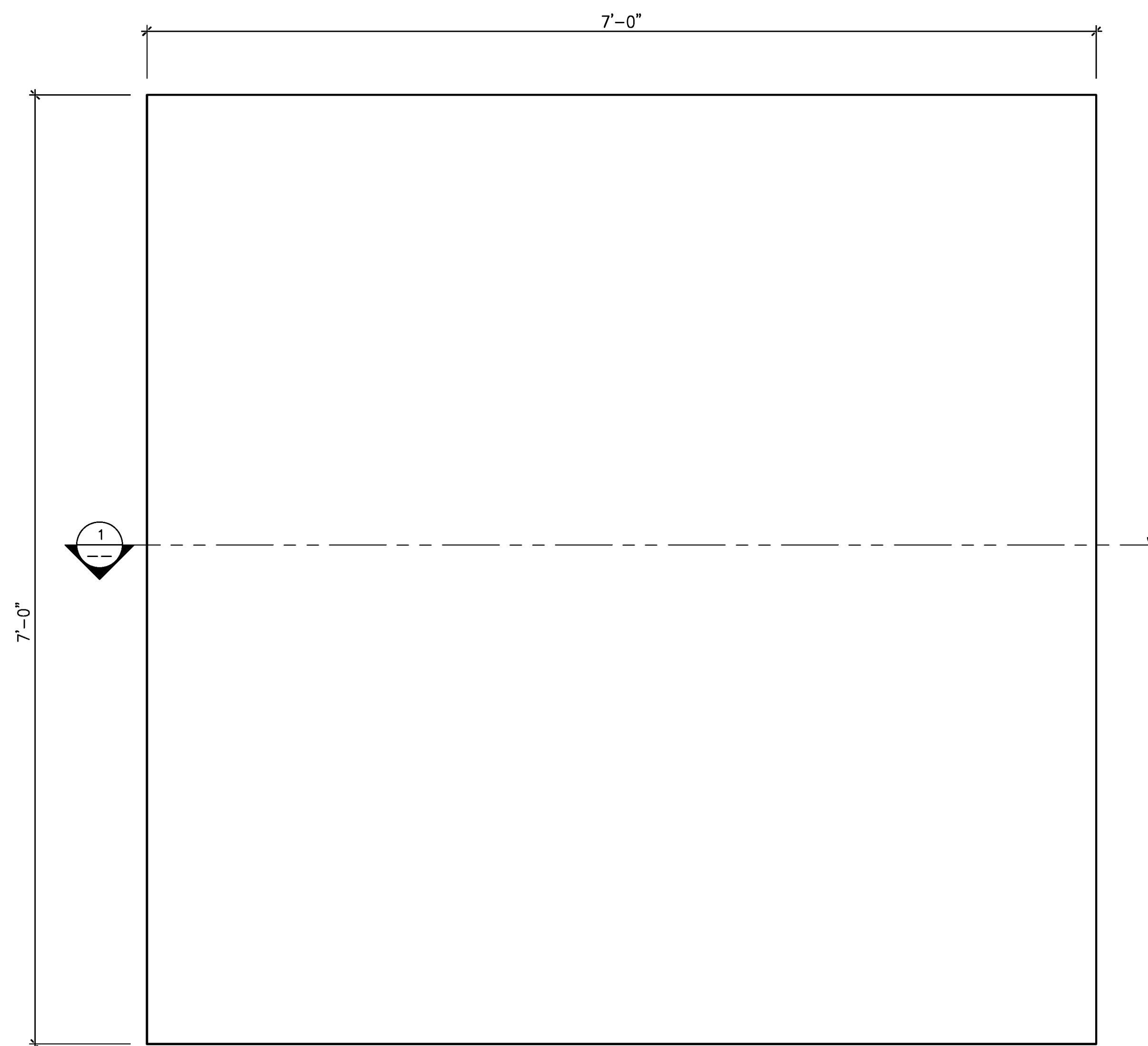
3600 DALLAS HIGHWAY • SUITE 230-387
MARIETTA, GEORGIA 30064 • USA
Phone 770.514.8141 • Fax 770.514.0731

DRAWN BY:	TAN
CHECKED BY:	M.S.
DATE:	05.13.15
SCALE:	AS SHOWN
CAD FILE NO.:	LIBERTY2_P38.DWG

P38



1
P39 **DETAIL SECTION**
SCALE: 3"=1'-0"



2
P39 **REFLECTED PLAN VIEW** 01 / P39
SCALE: 1 1/2"=1'-0"

REQ'D : (27) 01 / P39 FRP CEILING PANELS
7'-0"W x 7'-0"L x 3/8"D

TOTAL : (27)

REVISION NO.	BY:

THE COMMONS HOUSING II
LIBERTY UNIVERSITY
LYNCHBURG, VIRGINIA

FIRST CLASS BUILDING PRODUCTS

3600 DALLAS HIGHWAY • SUITE 230-387
MARIETTA, GEORGIA 30064 • USA
Phone 770.514.8141 • Fax 770.514.0731

DRAWN BY:	TAN
CHECKED BY:	M.S.
DATE:	05.13.15
SCALE:	AS SHOWN
CAD FILE NO.:	LIBERTY2_P39.DWG

P39

REVISION NO.	BY

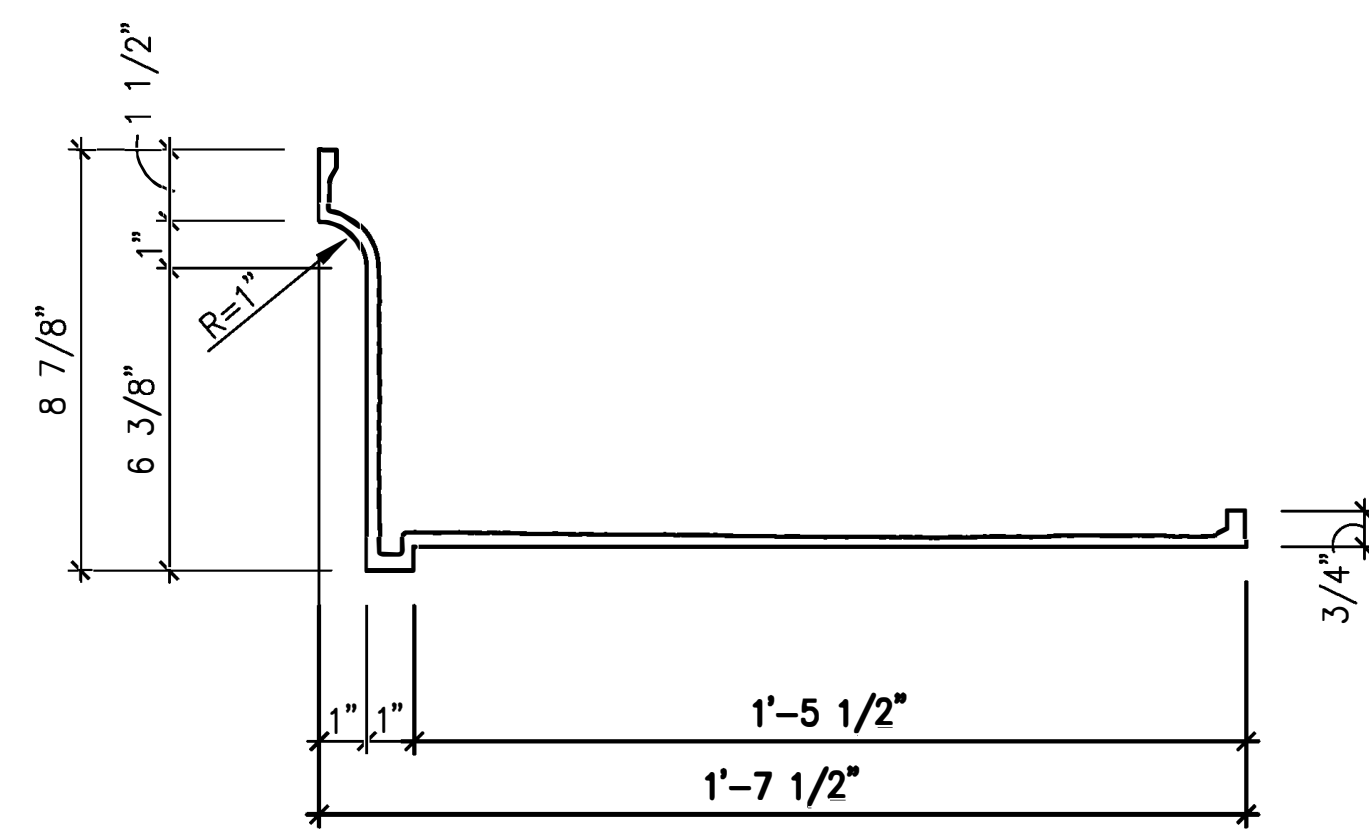
THE COMMONS HOUSING II
LIBERTY UNIVERSITY
LYNCHBURG, VIRGINIA

FIRST CLASS BUILDING PRODUCTS

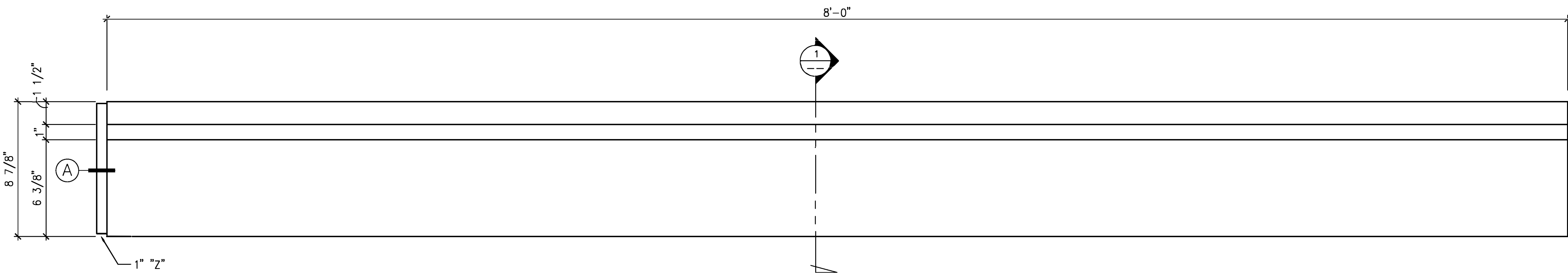
3600 DALLAS HIGHWAY • SUITE 230-387
MARIETTA, GEORGIA 30064 • USA
Phone 770.514.8141 • Fax 770.514.0731

DRAWN BY:	TAN
CHECKED BY:	M.S.
DATE:	05.13.15
SCALE:	AS SHOWN
CAD FILE NO.:	LIBERTY2_P40.DWG

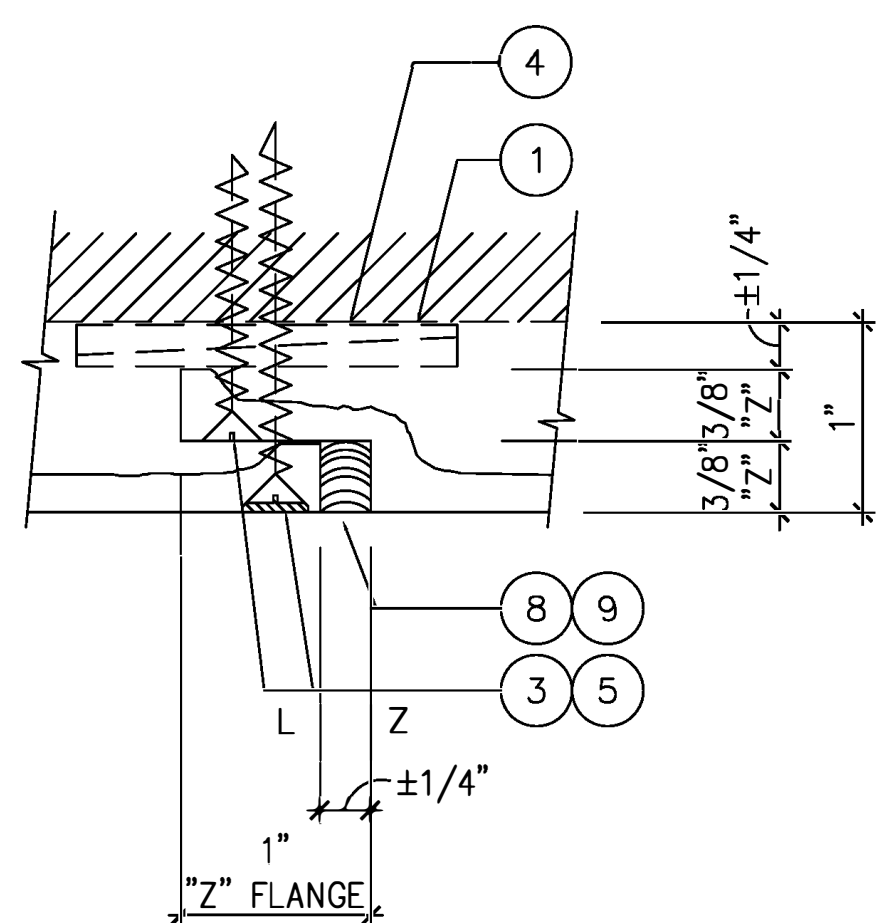
P40



1 DETAIL SECTION
SCALE: 3"=1'-0"



2 STRAIGHT ELEVATION 01 / P40
SCALE: 3"=1'-0"



REQ'D : (8) 01 / P40 FRP INSIDE FASCIA WITH SOFFIT PANEL
8 7/8"H x 1'-7 1/2"D
8'-0" STRAIGHT LENGTH

TOTAL : (8)

CONNECTION DETAIL

FULL

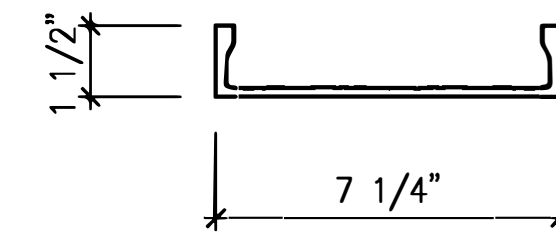
A

FRP INSIDE FASCIA WITH SOFFIT PANEL © REAR PAVILION CONNECTOR ROOF CEILING & SOFFIT

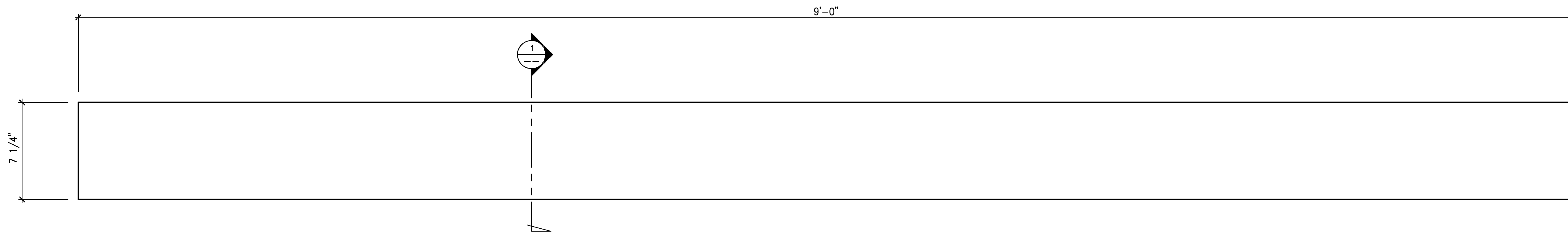
AS SHOWN

1

REVISION NO.	BY:



1
P41 **DETAIL SECTION**
SCALE: 3"=1'-0"



2
P41 **REFLECTED PLAN VIEW** 01 / P41
SCALE: 3"=1'-0"

REQ'D : (2) 01 / P41 FRP_TRIM
7 1/4"H x 1 1/2"D
9'-0" STRAIGHT LENGTH

TOTAL : (2)

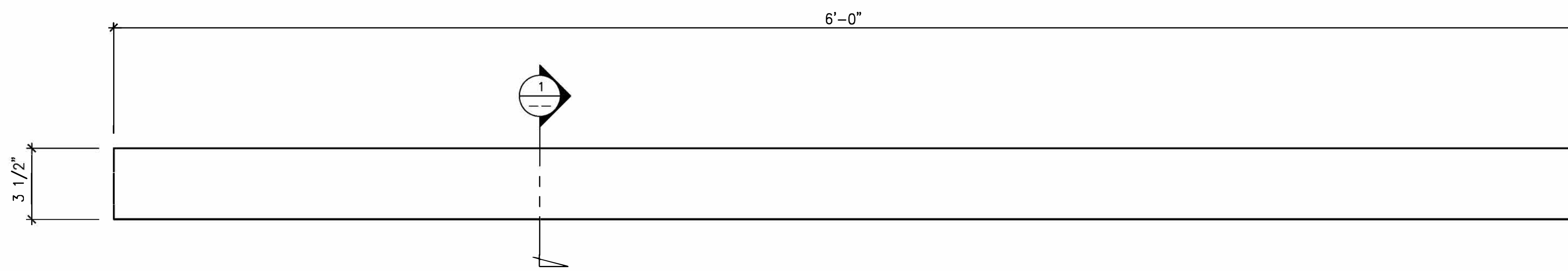
FIRST CLASS BUILDING PRODUCTS

3600 DALLAS HIGHWAY • SUITE 230-387
MARIETTA, GEORGIA 30064 • USA
Phone 770.514.8141 • Fax 770.514.0731

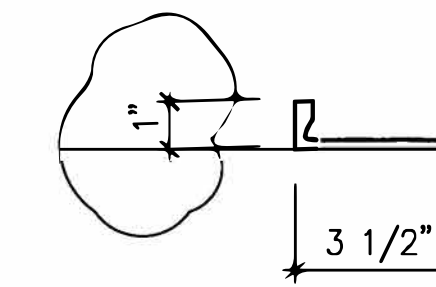
THE COMMONS HOUSING II
LIBERTY UNIVERSITY
LYNCHBURG, VIRGINIA

DRAWN BY:	TAN
CHECKED BY:	M.S.
DATE:	05.13.15
SCALE:	AS SHOWN
CAD FILE NO.:	LIBERTY2_P41.DWG

P41



2 REFLECTED PLAN VIEW 01 / P42
SCALE: 3"=1'-0"



1 DETAIL SECTION
SCALE: 3"=1'-0"

REQ'D : (6) 01 / P42

FRP TRIM
3 1/2"H x 1"D
6'-0" STRAIGHT LENGTH

TOTAL : (6)

REVISION NO.	BY:

THE COMMONS HOUSING II
LIBERTY UNIVERSITY
LYNCHBURG, VIRGINIA

FIRST CLASS BUILDING PRODUCTS
3600 DALLAS HIGHWAY • SUITE 230-387
MARIETTA, GEORGIA 30064 • USA
Phone 770.514.8141 • Fax 770.514.0731

DRAWN BY:	TAN
CHECKED BY:	M.S.
DATE:	05.13.15
SCALE:	AS SHOWN
CAD FILE NO.:	LIBERTY2_P42.DWG

P42



1 DETAIL SECTION
SCALE: 3"=1'-0"

2 REFLECTED PLAN VIEW 01 / P43
SCALE: 3"=1'-0"

REQ'D : (6) 01 / P43 FRP CEILING PANELS
4'-0"W x 6'-0"L x 3/8"D

TOTAL : (6)

REVISION NO.	BY

FIRST CLASS BUILDING PRODUCTS
 3600 DALLAS HIGHWAY • SUITE 230-387
 MARIETTA, GEORGIA 30064 • USA
 Phone 770.514.8141 • Fax 770.514.0731

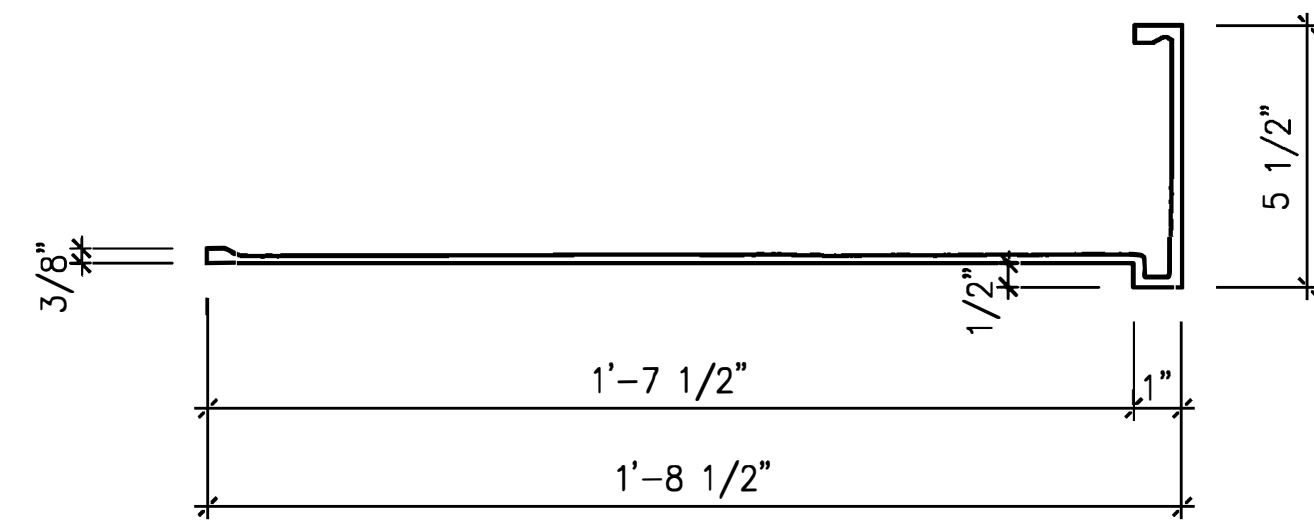
THE COMMONS HOUSING II
 LIBERTY UNIVERSITY
 LYNCHBURG, VIRGINIA

DRAWN BY:	TAN
CHECKED BY:	M.S.
DATE:	05.13.15
SCALE:	AS SHOWN
CAD FILE NO.:	LIBERTY2_P43.DWG

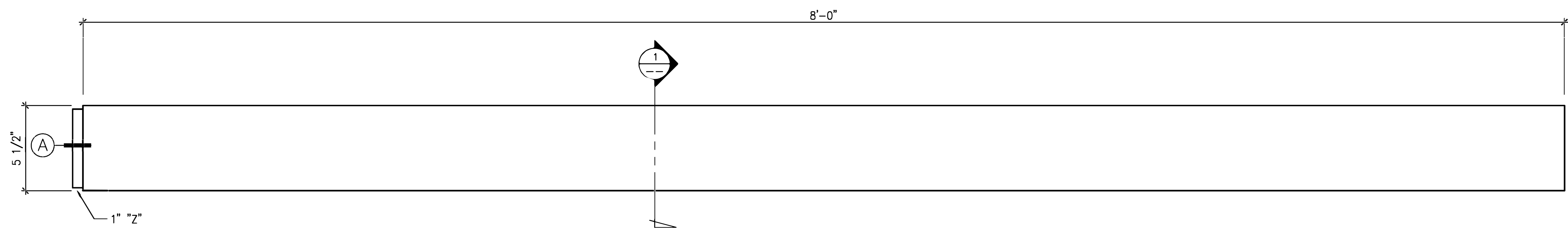
P43

REVISION NO.	BY:

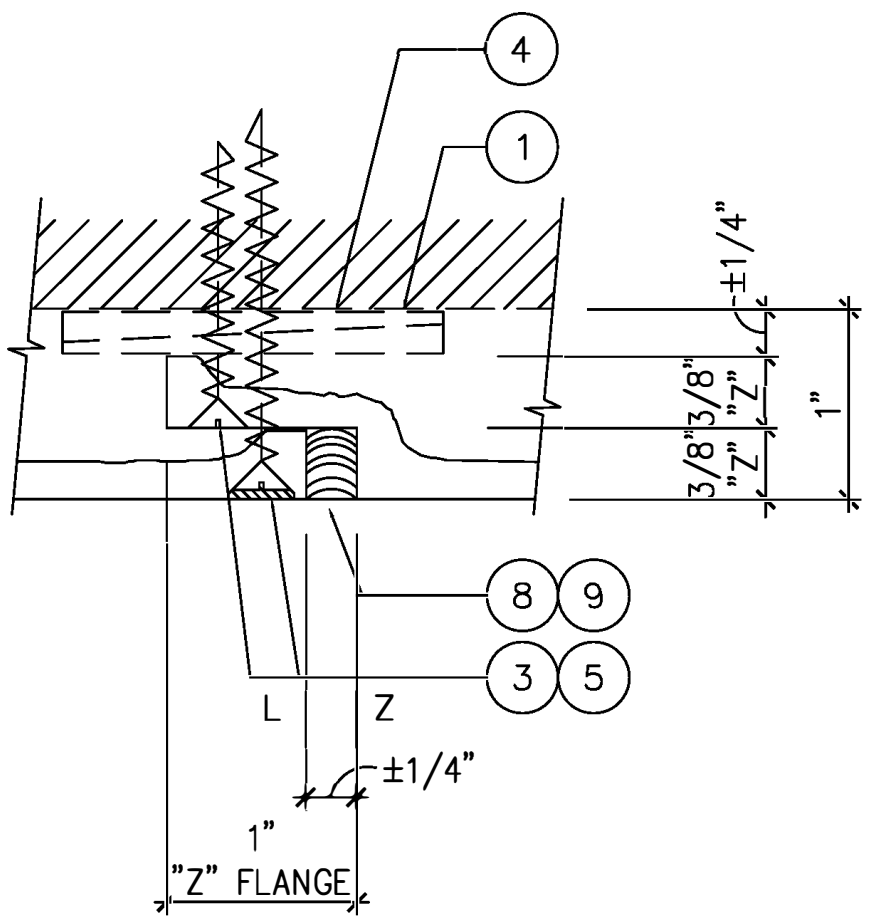
NOTE:
FIELD CUT PANEL DEPTH TO FIT
AS NEEDED.



1 DETAIL SECTION
SCALE: 3"=1'-0"



2 STRAIGHT ELEVATION 01 / P44
SCALE: 3"=1'-0"



REQ'D : (14) 01 / P44 FRP SOFFIT PANELS & FASCIA
5 1/2"H x 1'-8 1/2"D
8'-0" STRAIGHT LENGTH

TOTAL : (14)

THE COMMONS HOUSING II
LIBERTY UNIVERSITY
LYNCHBURG, VIRGINIA

FIRST CLASS BUILDING PRODUCTS

3600 DALLAS HIGHWAY • SUITE 230-387
MARIETTA, GEORGIA 30064 • USA
Phone 770.514.8141 • Fax 770.514.0731

DRAWN BY:	TAN
CHECKED BY:	M.S.
DATE:	05.13.15
SCALE:	AS SHOWN
CAD FILE NO.:	LIBERTY2_P44.DWG

P44

CONNECTION DETAIL

FULL

A

FRP SOFFIT PANELS & FASCIA @ REAR PAVILION CONNECTOR ROOF CEILING & SOFFIT

AS SHOWN

1