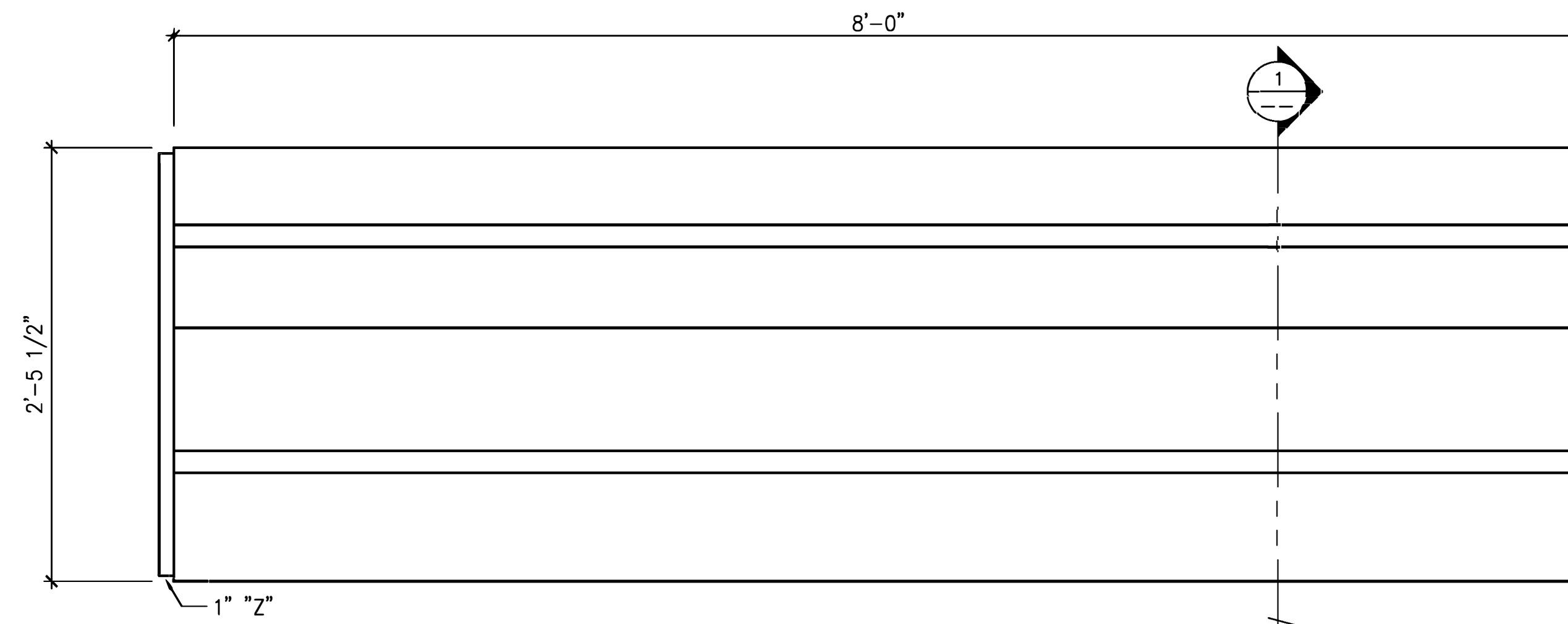
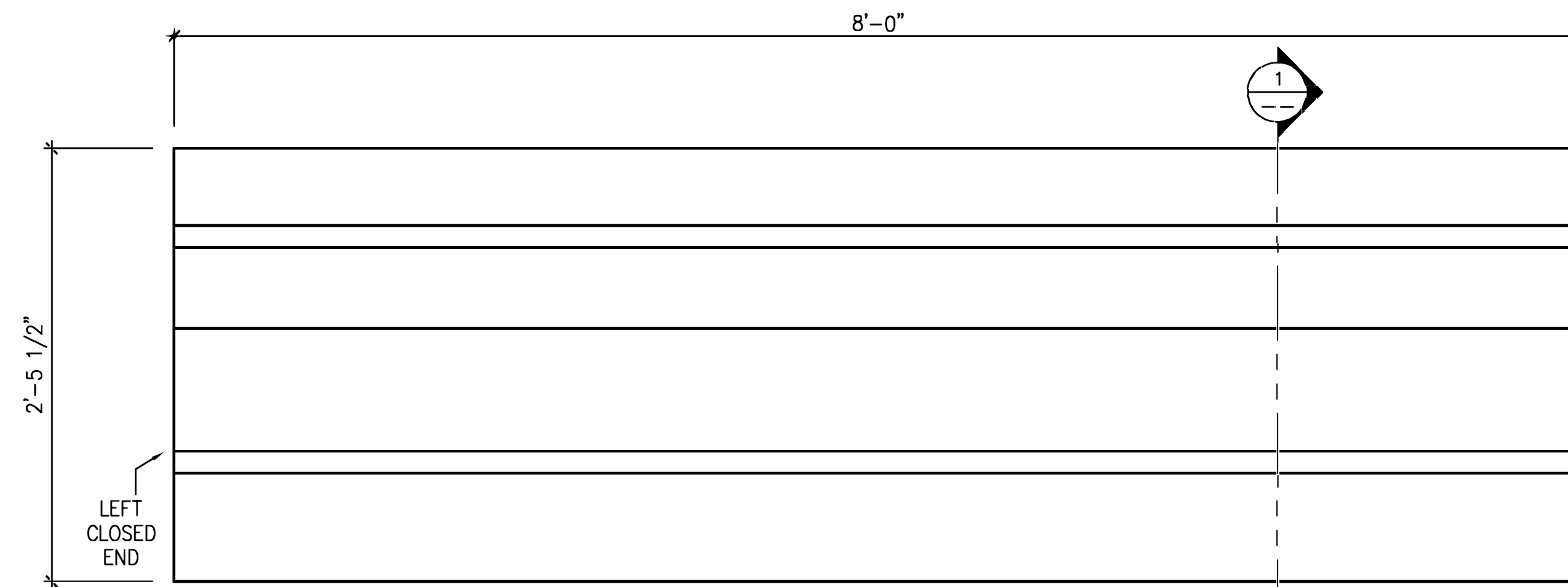


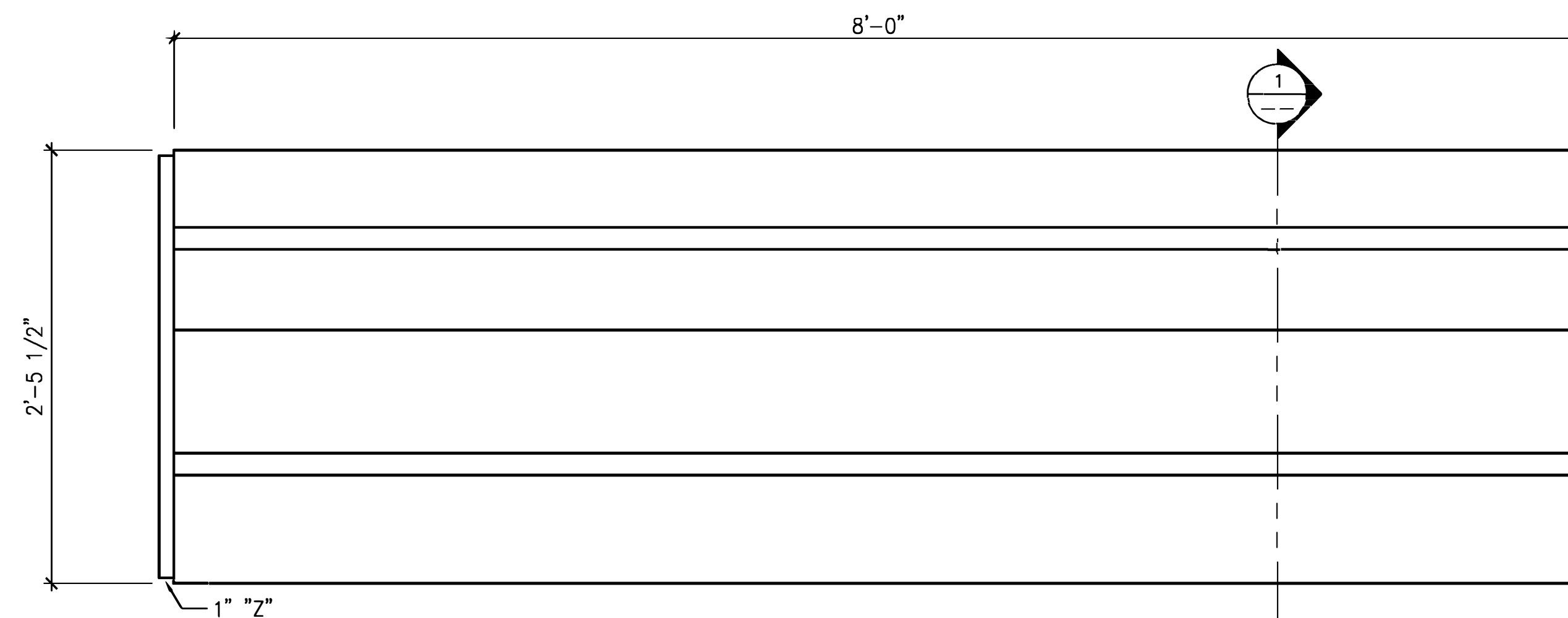
6 ELEVATION 04 / P34  
SCALE: 3"=1'-0"



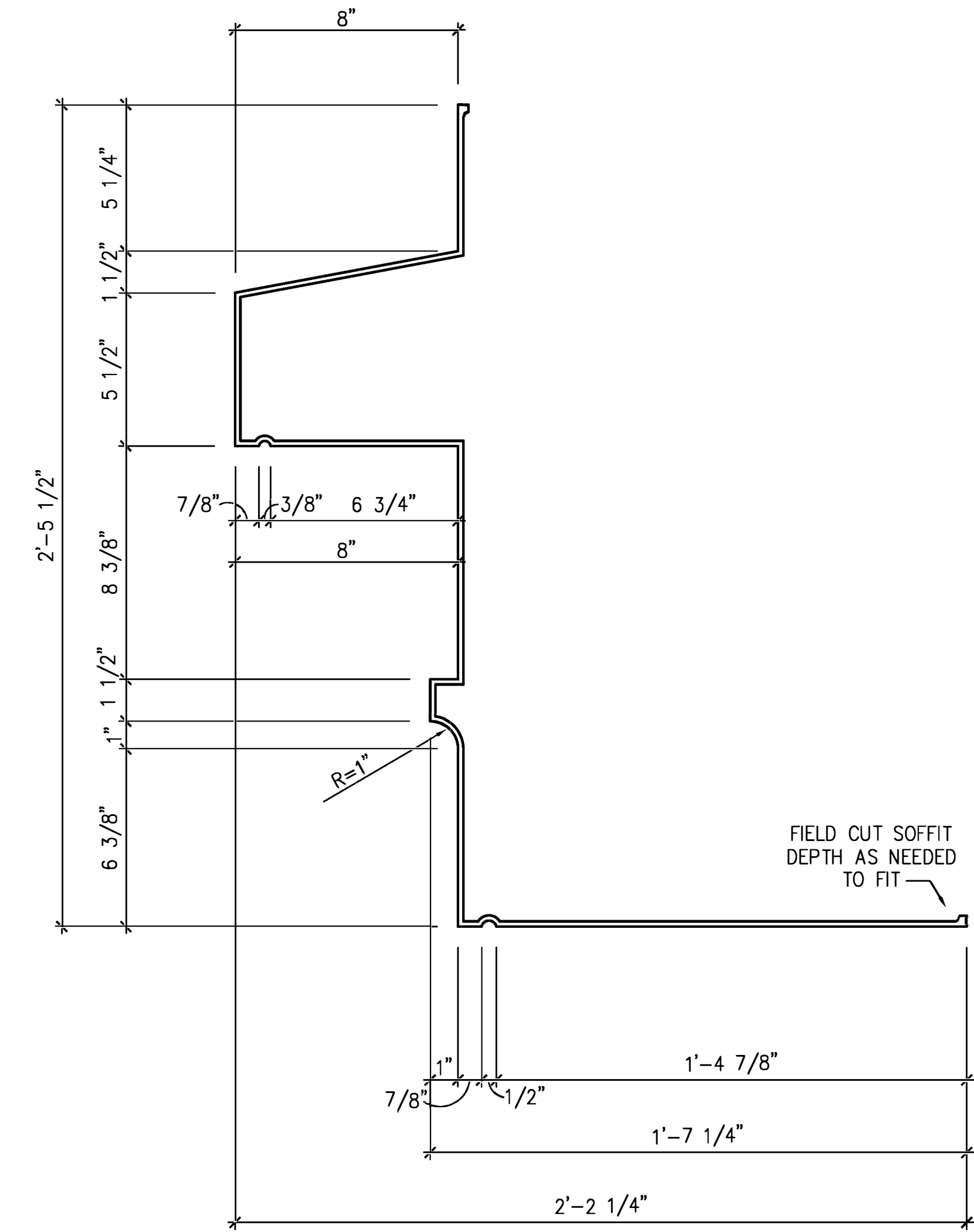
3 ELEVATION 01 / P34  
SCALE: 1 1/2"=1'-0"



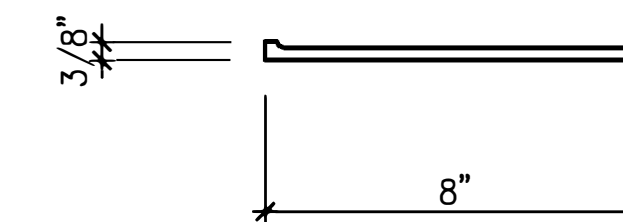
4 ELEVATION 02 / P34  
SCALE: 1 1/2"=1'-0"



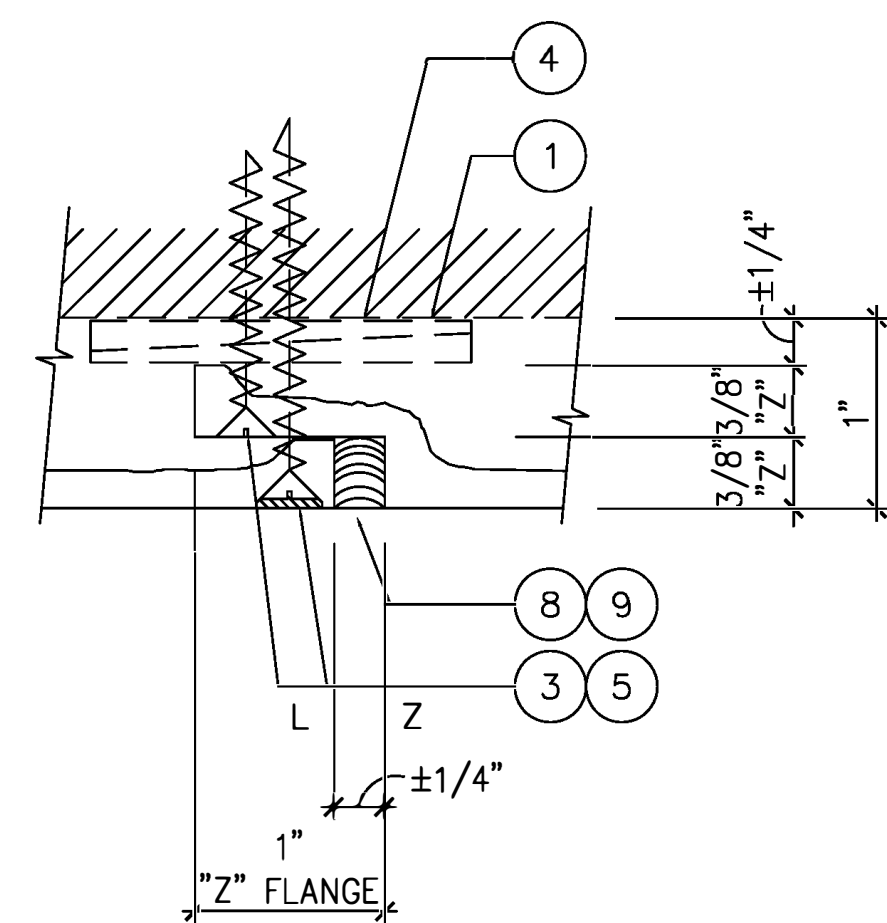
5 ELEVATION 03 / P34  
SCALE: 1 1/2"=1'-0"



1 DETAIL SECTION P34  
SCALE: 3"=1'-0"



2 DETAIL SECTION P34  
SCALE: 3"=1'-0"



REQ'D :	( 11 )	01 / P34	FRP BROW/ENTABLATURE 2'-5 1/2"H x 2'-2 1/4"D 8'-0" STRAIGHT LENGTH
	( 6 )	02 / P34	FRP BROW/ENTABLATURE 2'-5 1/2"H x 2'-2 1/4"D 8'-0" STRAIGHT LENGTH - LEFT CLOSED END
	( 6 )	03 / P34	FRP BROW/ENTABLATURE 2'-5 1/2"H x 2'-2 1/4"D 8'-0" STRAIGHT LENGTH - RIGHT CLOSED END
	( 6 )	04 / P34	FRP FLAT PANEL 2'-5 1/2"H x 8"W

TOTAL : ( 29 )

REVISION NO.	BY

THE COMMONS HOUSING II  
LIBERTY UNIVERSITY  
LYNCHBURG, VIRGINIA

FIRST CLASS BUILDING PRODUCTS

3600 DALLAS HIGHWAY • SUITE 230-387  
MARIETTA, GEORGIA 30064 • USA  
Phone 770.514.8141 • Fax 770.514.0731

DRAWN BY:	TAN
CHECKED BY:	M.S.
DATE:	05.23.15
SCALE:	AS SHOWN
CAD FILE NO.:	LIBERTY2_P34.DWG

P34