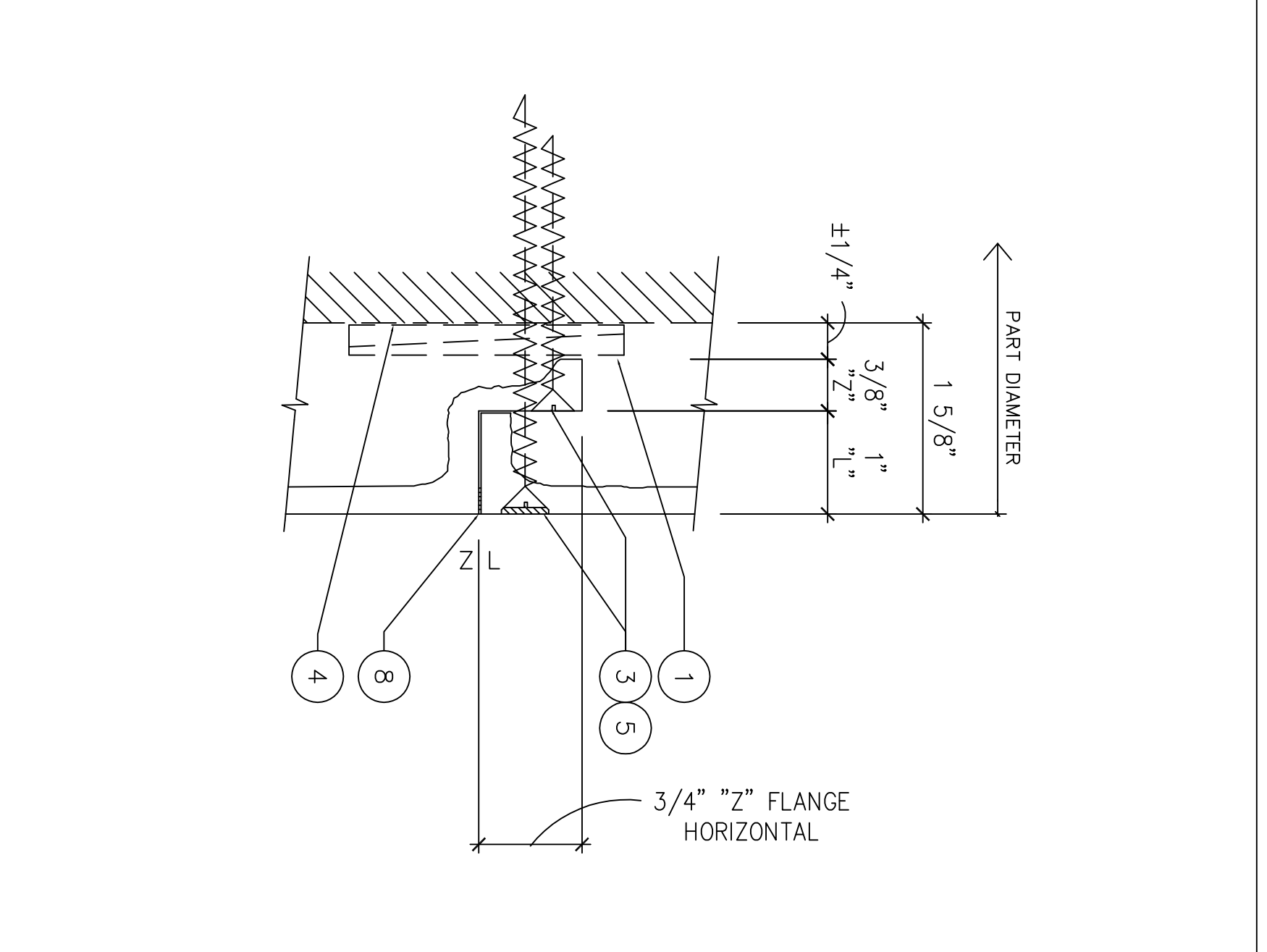


CAPITAL DETAIL

6" = 1'-0"

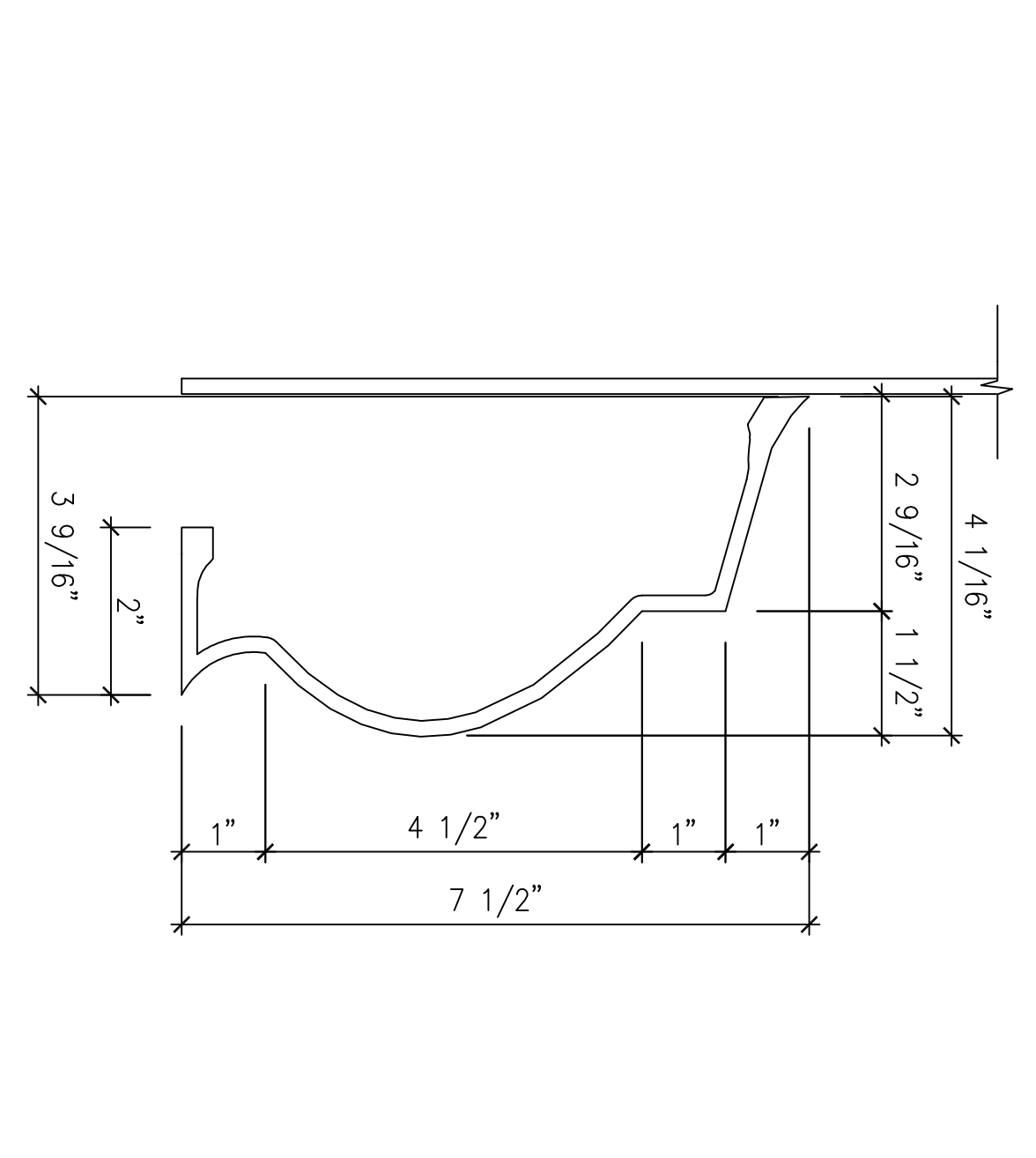
C



"STACK" JOINT

FULL

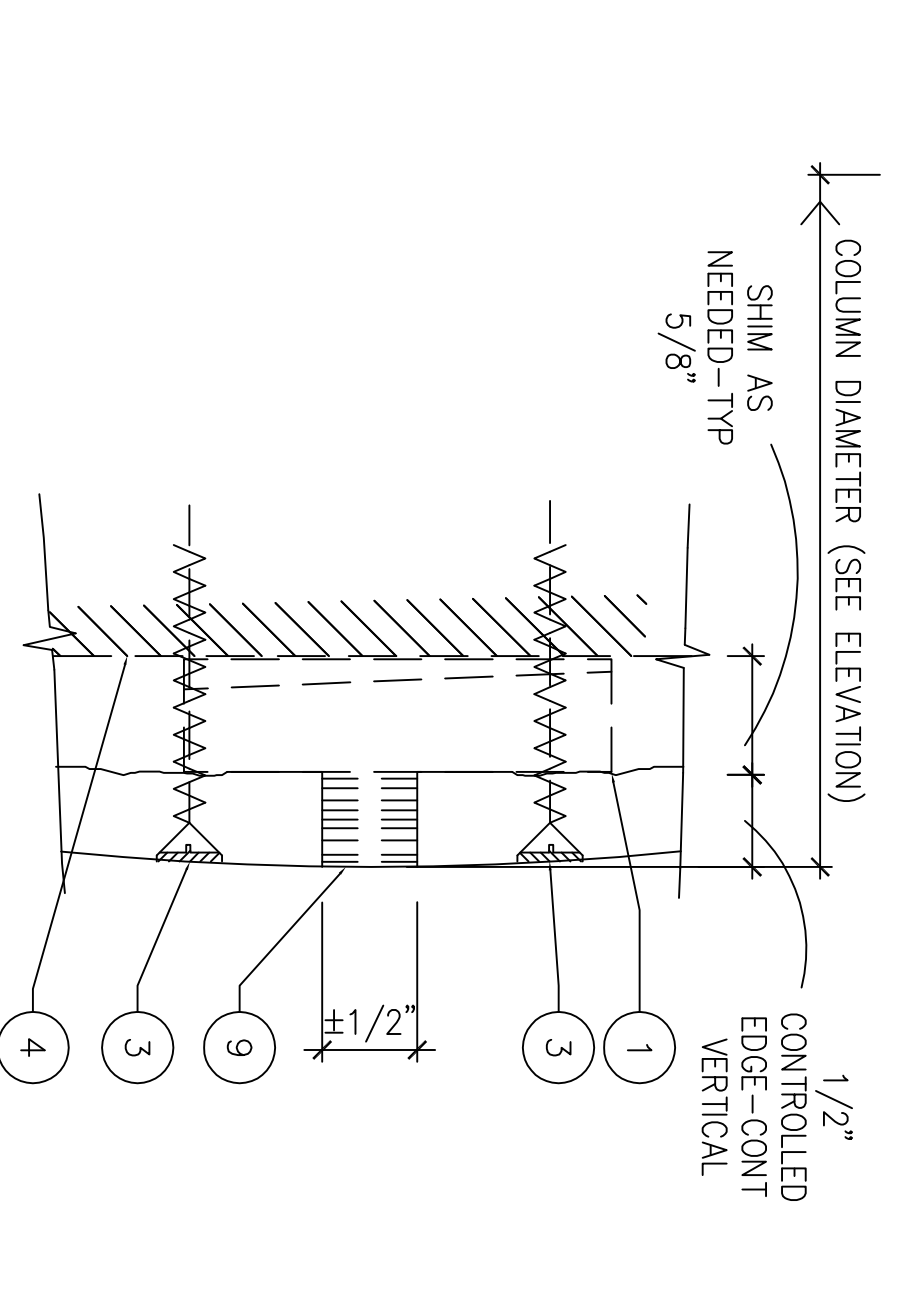
D



BASE DETAIL

6" = 1'-0"

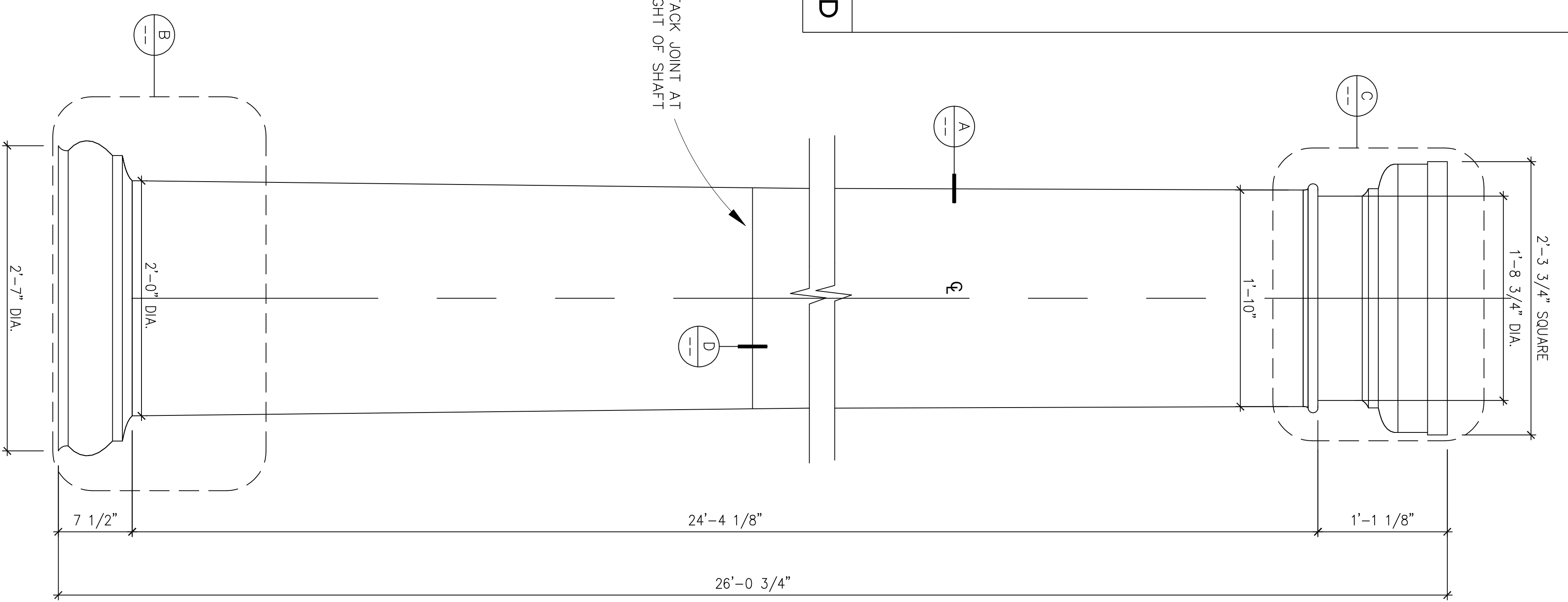
B



VERTICAL BUTT JOINT

FULL

A



1 ELEVATION
SCALE: 1 1/2"=1'-0"

01 / P2

REQ'D :	(6)	01 / P2	TAPERED COLUMN SHAFT FULL ROUND - SPLIT, STACKED 25'-0 5/8"H x 24" DIA. @ base of shaft	Z/L
	(6)	1A / P2	TAPERED COLUMN CAPITAL FULL ROUND - SPLIT 1'-1 1/8"H x 2'-3 3/4" SQUARE	Z/L
	(6)	1B / P2	TAPERED COLUMN BASE FULL ROUND - SPLIT 7 1/2"H x 2'-7" DIA.	Z/L

TOTAL : (18) TO COMPLETE 6ea FULL ROUND COLUMNS

AS SHOWN

1

REVISION NO.	BR

MORGAN MEMORIAL HOSPITAL
1740 LIONS CLUB ROAD
MADISON, GEORGIA

FIRST CLASS BUILDING PRODUCTS
3600 DALLAS HIGHWAY • SUITE 230-387
MARIETTA, GEORGIA 30064 • USA
Phone 770.514.8141 • Fax 770.514.0731

DRAWN BY: TAN
 CHECKED BY: AS SHOWN
 DATE: 12.19.2017
 SCALE: AS SHOWN
 JOB FILE NO: MMH_P2.DWG
P2
 DRAWING: 01 OF 6