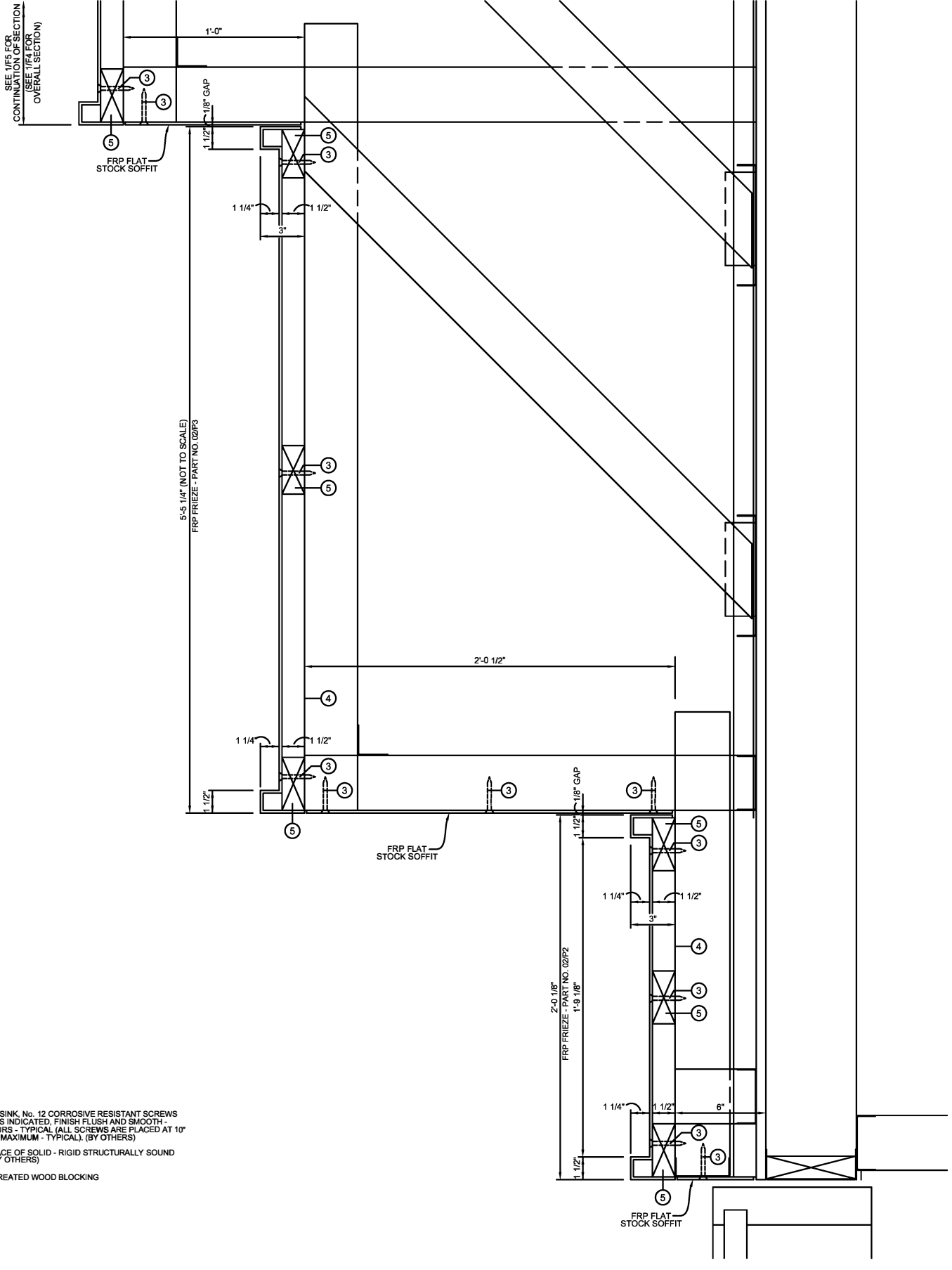


FRP CORNICE PART NO. 01/P2
FRP FRIEZE PART NO. 01/P3
SECTION - SOUTH ENTRANCE FRP CORNICE AND FRIEZE
SCALE: 3"=1'-0"
NOTE: ALL FRP CORNICE AND FRIEZE TO BE SUPPLIED UNFINISHED WITH SINGLE COLOR GEL COAT. (PRIMER AND FINAL PAINT TO BE APPLIED IN FIELD BY OTHERS)



FRP FRIEZE PART NO. 02/P2
FRP FRIEZE PART NO. 02/P3
SECTION - SOUTH ENTRANCE FRP CORNICE AND FRIEZE
SCALE: 3"=1'-0"
NOTE: ALL FRP CORNICE AND FRIEZE TO BE SUPPLIED UNFINISHED WITH SINGLE COLOR GEL COAT. (PRIMER AND FINAL PAINT TO BE APPLIED IN FIELD BY OTHERS)

- ③ PRE-DRILL C/SINK No. 12 CORROSIVE RESISTANT SCREWS AT LOCATIONS INDICATED. FINISH FLUSH AND SMOOTH - WHERE OCCURS - TYPICAL (ALL SCREWS ARE PLACED AT 10" ON CENTER - MAXIMUM - TYPICAL). (BY OTHERS)
- ④ INDICATES FACE OF SOLID - RIGID STRUCTURALLY SOUND SURFACE. (BY OTHERS)
- ⑤ PRESSURE TREATED WOOD BLOCKING (BY OTHERS)

REVISION NO.	DATE

**PADUCAH REGIONAL CAMPUS
EDUCATION CENTER
MURRAY STATE UNIVERSITY**

FIRST CLASS BUILDING PRODUCTS
3600 DALLAS HIGHWAY - SUITE 230-387
MABLETTA, GEORGIA 30064 - USA
Phone 770.514.6141 • Fax 770.514.0731

DESIGNED BY
R. ELLSWORTH
DATE
02.18.2013
SCALE
3"=1'-0"
DWG FILE NO.
PADUCAH5.DWG

F5
DRAWING 6 OF 8