

the only composite balustrade
certified at 16 feet in length



100
over
spindle
options



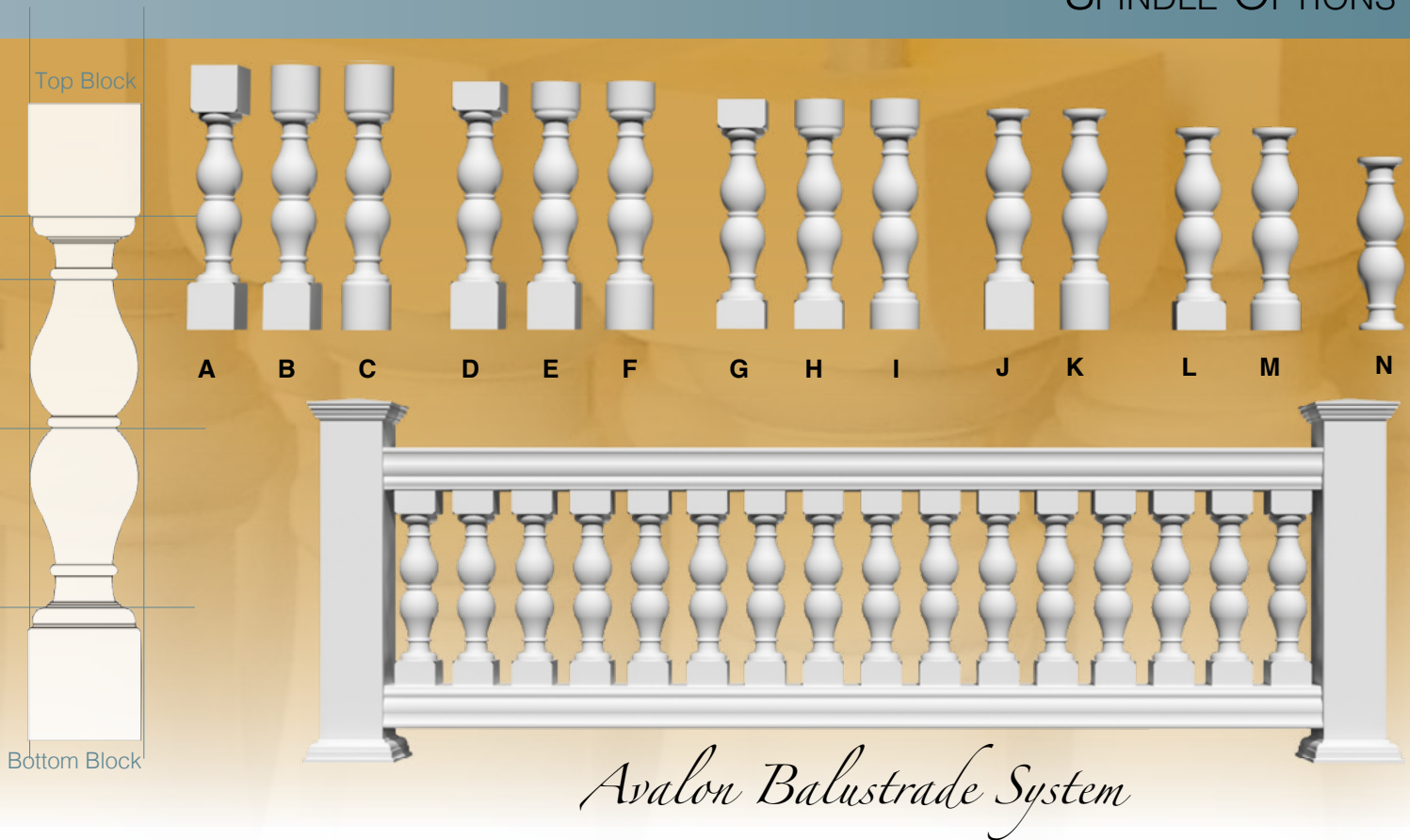
the Best *reasons to choose*
FiberThane®
Balustrade

The entire FiberThane system was designed from the ground up, utilizing state-of-the-art materials for each component. Constructed from pultruded fiberglass, the rails and newel posts are made with some of the strongest and most durable construction materials available. Our balusters are made out of a structural aluminum alloy surrounded by molded polyurethane, giving you the strength of structural metal, and the architectural design and crisp detail of urethane.

WHY CHOOSE THE FIBERTHANE® BALUSTRADE SYSTEM:

- Fiberglass top and bottom rails are more durable than any other material in the market.
- Is light-weight (between 15lbs - 22lbs per foot), making it perfect for every application.
- Can span 16' lengths while still passing construction codes.
- Rails are sold in one-foot increments. This means no wasted rail.
- Patent Pending 'Quick-Install' brackets are concealed and provide a completely finished look.
- The 'Quick-Install' brackets allow for quicker installation than traditional methods.
- Over 100 different baluster designs – balusters available with either round or square blocks.
- Easiest stair installation you have ever seen. Ask us, we will explain.
- Maintenance free. Impervious to weather, moisture, and insects. Will not crack, chip, or deteriorate.
- Lifetime warranty.
- All spindles, rails, and newels are 100% unique designs.
- Pre-drilled holes or even full length pre-assembled sections are available.
- Available to ship within 72 hours. Need it faster? Tell us, and we will ship tomorrow!
- More cost-effective than Urethane or FRP systems.

SPINDLE OPTIONS

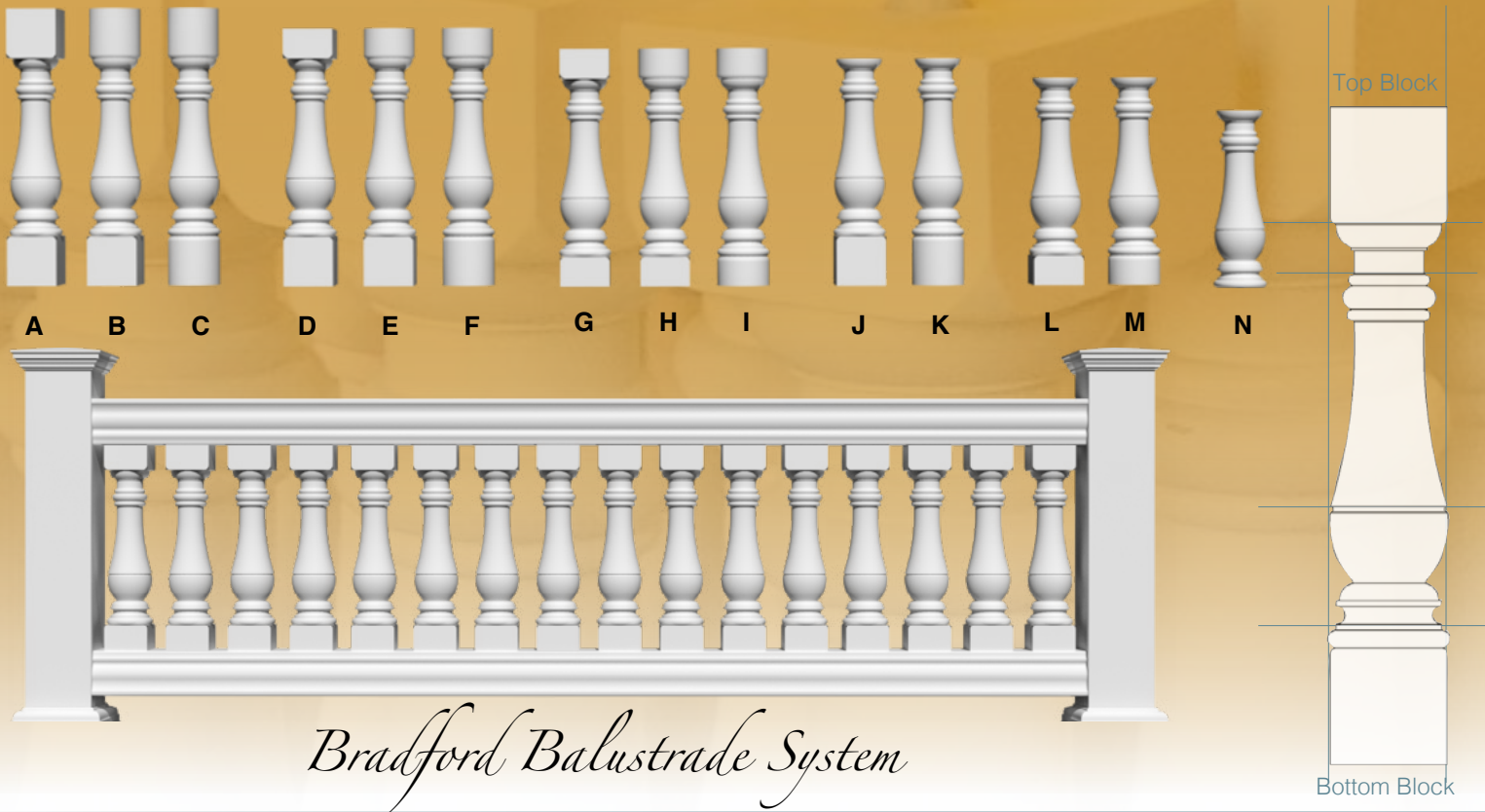


Avalon Balustrade System

Part Number	Spindle Width	Top Block Height	Bottom Block Height	Spindle Height	On Center Spacing	Spindles per Foot	*Overall System Height	Spindle Price	**Price per Foot	
A	BAL05X28AV-A	5"	5" Sq	5" Sq	28"	6-7/8"	1.75	42-1/2"	\$96.00	\$216.56
B	BAL05X28AV-B	5"	5" Rd	5" Sq	28"	6-7/8"	1.75	42-1/2"	\$96.00	\$216.56
C	BAL05X28AV-C	5"	5" Rd	5" Rd	28"	6-7/8"	1.75	42-1/2"	\$96.00	\$216.56
D	BAL05X26AV-D	5"	3" Sq	5" Sq	26"	6-7/8"	1.75	40-1/2"	\$92.00	\$209.58
E	BAL05X26AV-E	5"	3" Rd	5" Sq	26"	6-7/8"	1.75	40-1/2"	\$92.00	\$209.58
F	BAL05X26AV-F	5"	3" Rd	5" Rd	26"	6-7/8"	1.75	40-1/2"	\$92.00	\$209.58
G	BAL05X24AV-G	5"	3" Sq	3" Sq	24"	6-7/8"	1.75	38-1/2"	\$86.00	\$199.11
H	BAL05X24AV-H	5"	3" Rd	3" Sq	24"	6-7/8"	1.75	38-1/2"	\$86.00	\$199.11
I	BAL05X24AV-I	5"	3" Rd	3" Rd	24"	6-7/8"	1.75	38-1/2"	\$86.00	\$199.11
J	BAL05X23AV-J	5"	None	5" Sq	23"	6-7/8"	1.75	37-1/2"	\$83.00	\$193.87
K	BAL05X23AV-K	5"	None	5" Rd	23"	6-7/8"	1.75	37-1/2"	\$83.00	\$193.87
L	BAL05X21AV-L	5"	None	3" Sq	21"	6-7/8"	1.75	35-1/2"	\$80.00	\$188.64
M	BAL05X21AV-M	5"	None	3" Rd	21"	6-7/8"	1.75	35-1/2"	\$80.00	\$188.64
N	BAL05X18AV-N	5"	None	None	18"	6-7/8"	1.75	32-1/2"	\$68.00	\$167.69

*Overall System Height includes 3 7/8" space below rail, bottom rail, top rail, and baluster height
 **Estimated Price Per Foot includes top and bottom rails and balusters space to pass 4" sphere rule
We will pre-assemble each section of your balustrade system for only \$38.00 per lineal foot

SPINDLE OPTIONS

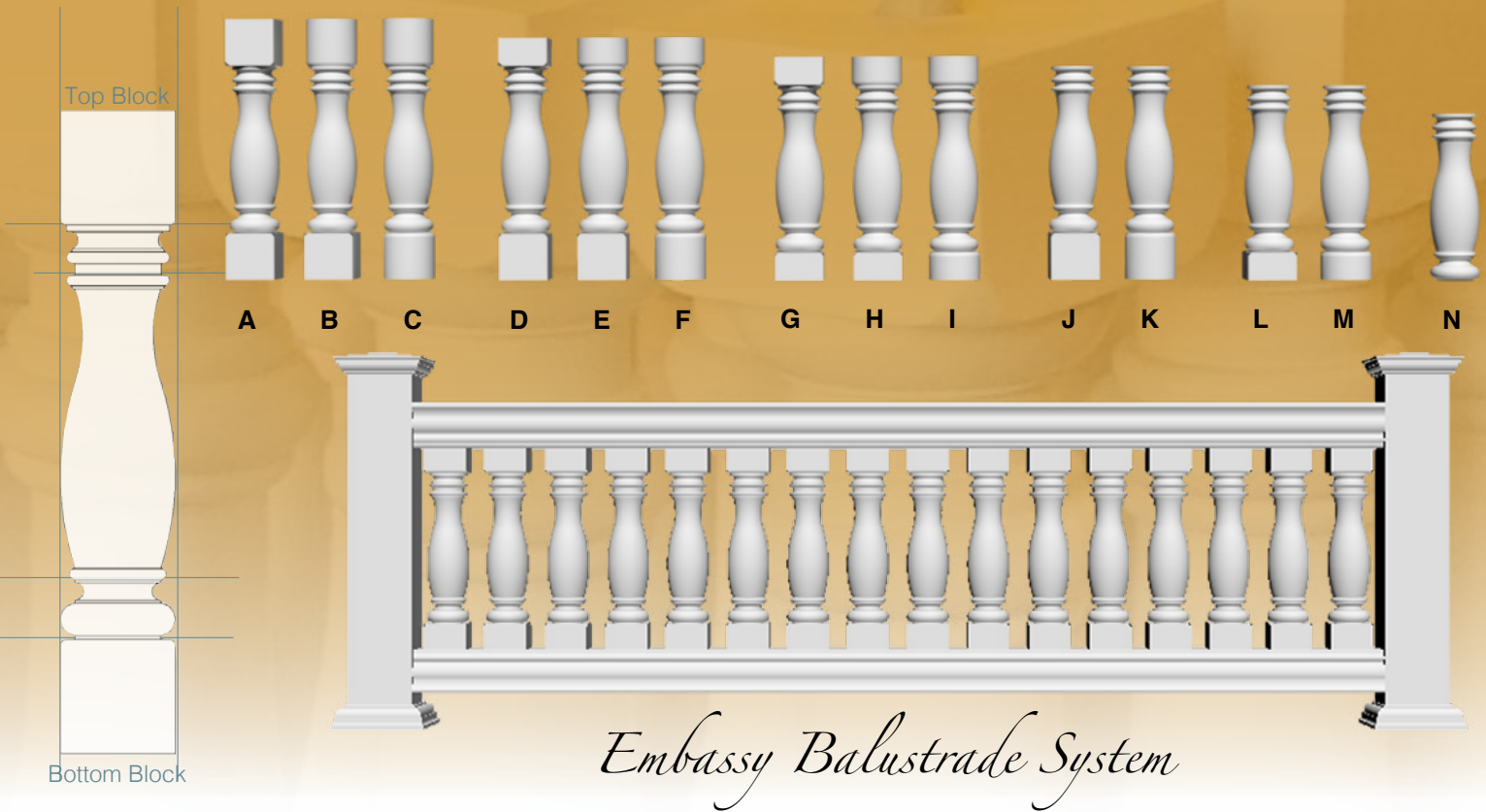


Bradford Balustrade System

Part Number	Spindle Width	Top Block Height	Bottom Block Height	Spindle Height	On Center Spacing	Spindles per Foot	*Overall System Height	Spindle Price	**Price per Foot	
A	BAL05X28BR-A	5"	5" Sq	5" Sq	28"	6-7/8"	1.75	42-1/2"	\$96.00	\$216.56
B	BAL05X28BR-B	5"	5" Rd	5" Sq	28"	6-7/8"	1.75	42-1/2"	\$96.00	\$216.56
C	BAL05X28BR-C	5"	5" Rd	5" Rd	28"	6-7/8"	1.75	42-1/2"	\$96.00	\$216.56
D	BAL05X26BR-D	5"	3" Sq	5" Sq	26"	6-7/8"	1.75	40-1/2"	\$92.00	\$209.58
E	BAL05X26BR-E	5"	3" Rd	5" Sq	26"	6-7/8"	1.75	40-1/2"	\$92.00	\$209.58
F	BAL05X26BR-F	5"	3" Rd	5" Rd	26"	6-7/8"	1.75	40-1/2"	\$92.00	\$209.58
G	BAL05X24BR-G	5"	3" Sq	3" Sq	24"	6-7/8"	1.75	38-1/2"	\$86.00	\$199.11
H	BAL05X24BR-H	5"	3" Rd	3" Sq	24"	6-7/8"	1.75	38-1/2"	\$86.00	\$199.11
I	BAL05X24BR-I	5"	3" Rd	3" Rd	24"	6-7/8"	1.75	38-1/2"	\$86.00	\$199.11
J	BAL05X23BR-J	5"	None	5" Sq	23"	6-7/8"	1.75	37-1/2"	\$83.00	\$193.87
K	BAL05X23BR-K	5"	None	5" Rd	23"	6-7/8"	1.75	37-1/2"	\$83.00	\$193.87
L	BAL05X21BR-L	5"	None	3" Sq	21"	6-7/8"	1.75	35-1/2"	\$80.00	\$188.64
M	BAL05X21BR-M	5"	None	3" Rd	21"	6-7/8"	1.75	35-1/2"	\$80.00	\$188.64
N	BAL05X18BR-N	5"	None	None	18"	6-7/8"	1.75	32-1/2"	\$68.00	\$167.69

*Overall System Height includes 3 7/8" space below rail, bottom rail, top rail, and baluster height
 **Estimated Price Per Foot includes top and bottom rails and balusters space to pass 4" sphere rule
We will pre-assemble each section of your balustrade system for only \$38.00 per lineal foot

SPINDLE OPTIONS



Embassy Balustrade System

	Part Number	Spindle Width	Top Block Height	Bottom Block Height	Spindle Height	On Center Spacing	Spindles per Foot	*Overall System Height	Spindle Price	**Price per Foot
A	BAL05X28EM-A	5"	5" Sq	5" Sq	28"	7"	1.71	42-1/2"	\$96.00	\$213.57
B	BAL05X28EM-B	5"	5" Rd	5" Sq	28"	7"	1.71	42-1/2"	\$96.00	\$213.57
C	BAL05X28EM-C	5"	5" Rd	5" Rd	28"	7"	1.71	42-1/2"	\$96.00	\$213.57
D	BAL05X26EM-D	5"	3" Sq	5" Sq	26"	7"	1.71	40-1/2"	\$92.00	\$206.71
E	BAL05X26EM-E	5"	3" Rd	5" Sq	26"	7"	1.71	40-1/2"	\$92.00	\$206.71
F	BAL05X26EM-F	5"	3" Rd	5" Rd	26"	7"	1.71	40-1/2"	\$92.00	\$206.71
G	BAL05X24EM-G	5"	3" Sq	3" Sq	24"	7"	1.71	38-1/2"	\$86.00	\$196.43
H	BAL05X24EM-H	5"	3" Rd	3" Sq	24"	7"	1.71	38-1/2"	\$86.00	\$196.43
I	BAL05X24EM-I	5"	3" Rd	3" Rd	24"	7"	1.71	38-1/2"	\$86.00	\$196.43
J	BAL05X23EM-J	5"	None	5" Sq	23"	7"	1.71	37-1/2"	\$83.00	\$191.29
K	BAL05X23EM-K	5"	None	5" Rd	23"	7"	1.71	37-1/2"	\$83.00	\$191.29
L	BAL05X21EM-L	5"	None	3" Sq	21"	7"	1.71	35-1/2"	\$80.00	\$186.14
M	BAL05X21EM-M	5"	None	3" Rd	21"	7"	1.71	35-1/2"	\$80.00	\$186.14
N	BAL05X18EM-N	5"	None	None	18"	7"	1.71	32-1/2"	\$68.00	\$165.57

*Overall System Height includes 3 7/8" space below rail, bottom rail, top rail, and baluster height
 **Estimated Price Per Foot includes top and bottom rails and balusters space to pass 4" sphere rule
 We will pre-assemble each section of your balustrade system for only \$38.00 per lineal foot

SPINDLE OPTIONS

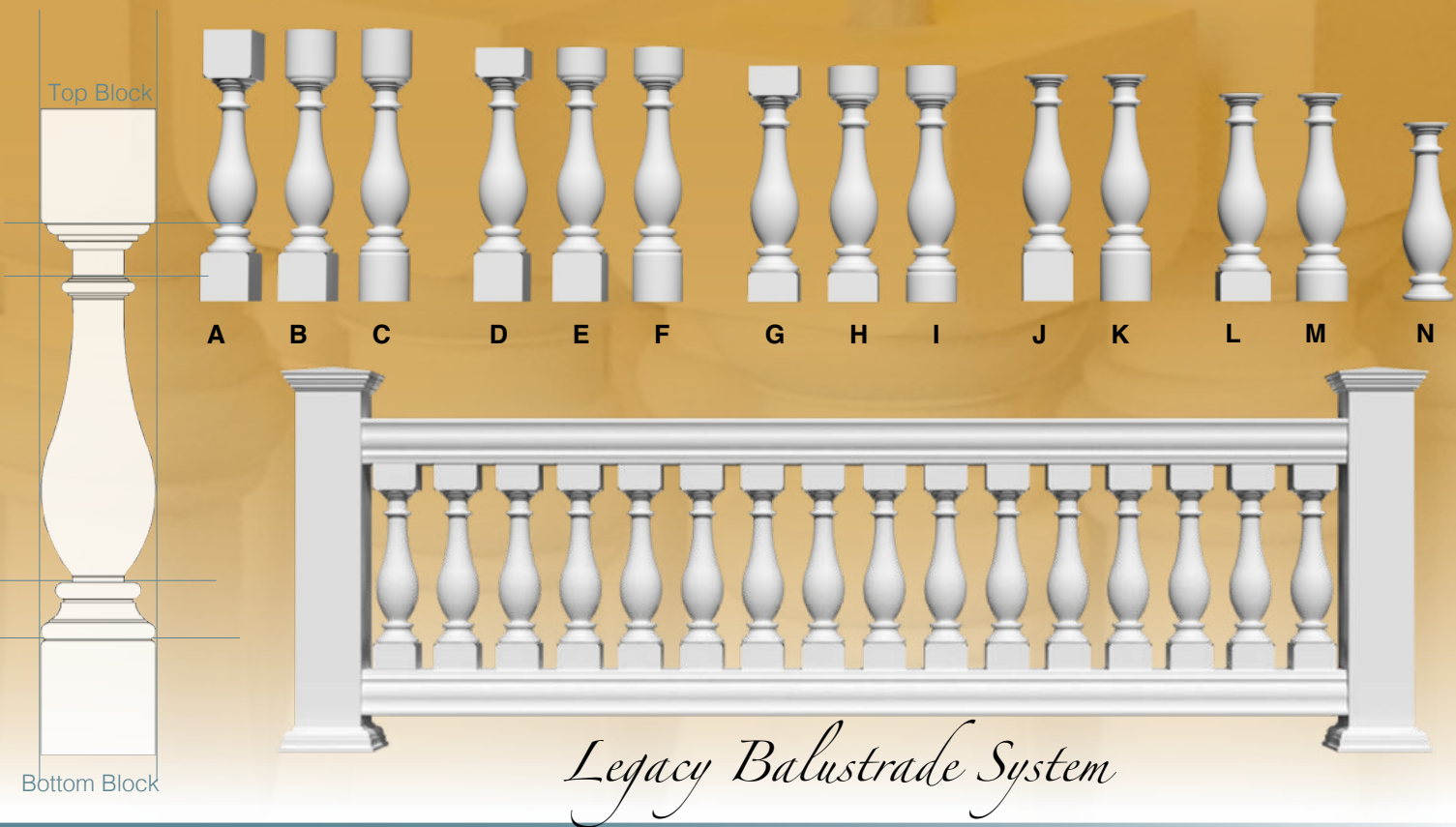


Hamilton Balustrade System

Part Number	Spindle Width	Top Block Height	Bottom Block Height	Spindle Height	On Center Spacing	Spindles per Foot	*Overall System Height	Spindle Price	**Price per Foot	
A	BAL05X28HM-A	5"	5" Sq	5" Sq	28"	6-7/8"	1.75	42-1/2"	\$96.00	\$216.56
B	BAL05X28HM-B	5"	5" Rd	5" Sq	28"	6-7/8"	1.75	42-1/2"	\$96.00	\$216.56
C	BAL05X28HM-C	5"	5" Rd	5" Rd	28"	6-7/8"	1.75	42-1/2"	\$96.00	\$216.56
D	BAL05X26HM-D	5"	3" Sq	5" Sq	26"	6-7/8"	1.75	40-1/2"	\$92.00	\$209.58
E	BAL05X26HM-E	5"	3" Rd	5" Sq	26"	6-7/8"	1.75	40-1/2"	\$92.00	\$209.58
F	BAL05X26HM-F	5"	3" Rd	5" Rd	26"	6-7/8"	1.75	40-1/2"	\$92.00	\$209.58
G	BAL05X24HM-G	5"	3" Sq	3" Sq	24"	6-7/8"	1.75	38-1/2"	\$86.00	\$199.11
H	BAL05X24HM-H	5"	3" Rd	3" Sq	24"	6-7/8"	1.75	38-1/2"	\$86.00	\$199.11
I	BAL05X24HM-I	5"	3" Rd	3" Rd	24"	6-7/8"	1.75	38-1/2"	\$86.00	\$199.11
J	BAL05X23HM-J	5"	None	5" Sq	23"	6-7/8"	1.75	37-1/2"	\$83.00	\$193.87
K	BAL05X23HM-K	5"	None	5" Rd	23"	6-7/8"	1.75	37-1/2"	\$83.00	\$193.87
L	BAL05X21HM-L	5"	None	3" Sq	21"	6-7/8"	1.75	35-1/2"	\$80.00	\$188.64
M	BAL05X21HM-M	5"	None	3" Rd	21"	6-7/8"	1.75	35-1/2"	\$80.00	\$188.64
N	BAL05X18HM-N	5"	None	None	18"	6-7/8"	1.75	32-1/2"	\$68.00	\$167.69

Overall System Height includes 3 7/8" space below rail, bottom rail, top rail, and baluster height
 Estimated Price Per Foot includes top and bottom rails and balusters space to pass 4" sphere rule
 *We will pre-assemble each section of your balustrade system for only \$38.00 per lineal foot

SPINDLE OPTIONS



Part Number	Spindle Width	Top Block Height	Bottom Block Height	Spindle Height	On Center Spacing	Spindles per Foot	*Overall System Height	Spindle Price	**Price per Foot
A BAL05X28LG-A	5"	5" Sq	5" Sq	28"	6-1/8"	1.96	42-1/2"	\$96.00	\$237.08
B BAL05X28LG-B	5"	5" Rd	5" Sq	28"	6-1/8"	1.96	42-1/2"	\$96.00	\$237.08
C BAL05X28LG-C	5"	5" Rd	5" Rd	28"	6-1/8"	1.96	42-1/2"	\$96.00	\$237.08
D BAL05X26LG-D	5"	3" Sq	5" Sq	26"	6-1/8"	1.96	40-1/2"	\$92.00	\$229.24
E BAL05X26LG-E	5"	3" Rd	5" Sq	26"	6-1/8"	1.96	40-1/2"	\$92.00	\$229.24
F BAL05X26LG-F	5"	3" Rd	5" Rd	26"	6-1/8"	1.96	40-1/2"	\$92.00	\$229.24
G BAL05X24LG-G	5"	3" Sq	3" Sq	24"	6-1/8"	1.96	38-1/2"	\$86.00	\$217.49
H BAL05X24LG-H	5"	3" Rd	3" Sq	24"	6-1/8"	1.96	38-1/2"	\$86.00	\$217.49
I BAL05X24LG-I	5"	3" Rd	3" Rd	24"	6-1/8"	1.96	38-1/2"	\$86.00	\$217.49
J BAL05X23LG-J	5"	None	5" Sq	23"	6-1/8"	1.96	37-1/2"	\$83.00	\$211.61
K BAL05X23LG-K	5"	None	5" Rd	23"	6-1/8"	1.96	37-1/2"	\$83.00	\$211.61
L BAL05X21LG-L	5"	None	3" Sq	21"	6-1/8"	1.96	35-1/2"	\$80.00	\$205.73
M BAL05X21LG-M	5"	None	3" Rd	21"	6-1/8"	1.96	35-1/2"	\$80.00	\$205.73
N BAL05X18LG-N	5"	None	None	18"	6-1/8"	1.96	32-1/2"	\$68.00	\$182.22

Overall System Height includes 3 7/8" space below rail, bottom rail, top rail, and baluster height
 Estimated Price Per Foot includes top and bottom rails and balusters space to pass 4" sphere rule
 *We will pre-assemble each section of your balustrade system for only \$38.00 per lineal foot

SPINDLE OPTIONS

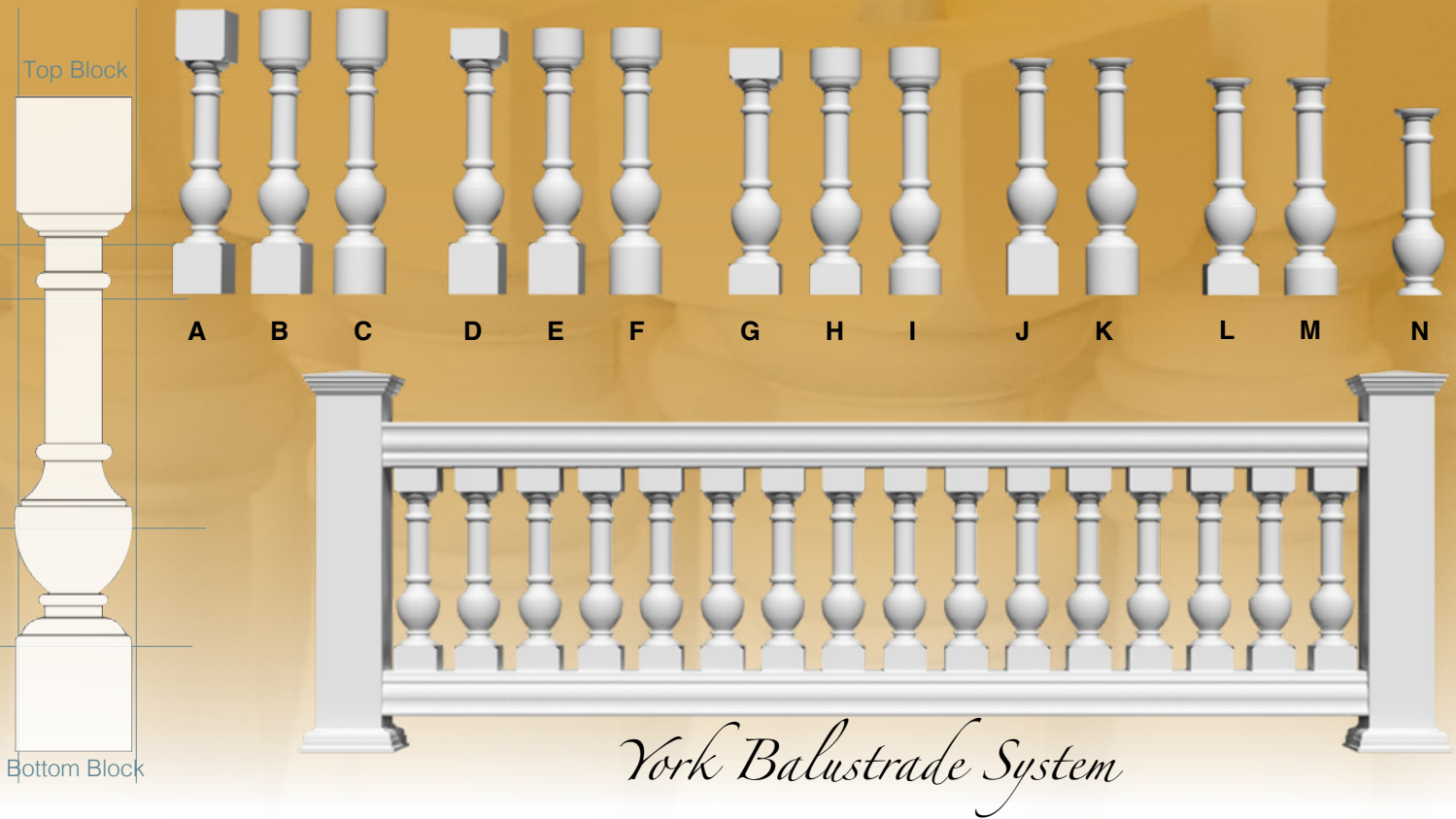


Wellington Balustrade System

Part Number	Spindle Width	Top Block Height	Bottom Block Height	Spindle Height	On Center Spacing	Spindles per Foot	*Overall System Height	Spindle Price	**Price per Foot	
A	BAL05X28WE-A	5"	5" Sq	5" Sq	28"	7-5/8"	1.57	42-1/2"	\$96.00	\$200.08
B	BAL05X28WE-B	5"	5" Rd	5" Sq	28"	7-5/8"	1.57	42-1/2"	\$96.00	\$200.08
C	BAL05X28WE-C	5"	5" Rd	5" Rd	28"	7-5/8"	1.57	42-1/2"	\$96.00	\$200.08
D	BAL05X26WE-D	5"	3" Sq	5" Sq	26"	7-5/8"	1.57	40-1/2"	\$92.00	\$193.79
E	BAL05X26WE-E	5"	3" Rd	5" Sq	26"	7-5/8"	1.57	40-1/2"	\$92.00	\$193.79
F	BAL05X26WE-F	5"	3" Rd	5" Rd	26"	7-5/8"	1.57	40-1/2"	\$92.00	\$193.79
G	BAL05X24WE-G	5"	3" Sq	3" Sq	24"	7-5/8"	1.57	38-1/2"	\$86.00	\$184.34
H	BAL05X24WE-H	5"	3" Rd	3" Sq	24"	7-5/8"	1.57	38-1/2"	\$86.00	\$184.34
I	BAL05X24WE-I	5"	3" Rd	3" Rd	24"	7-5/8"	1.57	38-1/2"	\$86.00	\$184.34
J	BAL05X23WE-J	5"	None	5" Sq	23"	7-5/8"	1.57	37-1/2"	\$83.00	\$179.62
K	BAL05X23WE-K	5"	None	5" Rd	23"	7-5/8"	1.57	37-1/2"	\$83.00	\$179.62
L	BAL05X21WE-L	5"	None	3" Sq	21"	7-5/8"	1.57	35-1/2"	\$80.00	\$174.90
M	BAL05X21WE-M	5"	None	3" Rd	21"	7-5/8"	1.57	35-1/2"	\$80.00	\$174.90
N	BAL05X18WE-N	5"	None	None	18"	7-5/8"	1.57	32-1/2"	\$68.00	\$156.02

*Overall System Height includes 3 7/8" space below rail, bottom rail, top rail, and baluster height
 **Estimated Price Per Foot includes top and bottom rails and balusters space to pass 4" sphere rule
 We will pre-assemble each section of your balustrade system for only \$38.00 per lineal foot

SPINDLE OPTIONS



York Balustrade System

	Part Number	Spindle Width	Top Block Height	Bottom Block Height	Spindle Height	On Center Spacing	Spindles per Foot	*Overall System Height	Spindle Price	**Price per Foot
A	BAL05X28YO-A	5"	5" Sq	5" Sq	28"	6-3/8"	1.88	42-1/2"	\$96.00	\$229.71
B	BAL05X28YO-B	5"	5" Rd	5" Sq	28"	6-3/8"	1.88	42-1/2"	\$96.00	\$229.71
C	BAL05X28YO-C	5"	5" Rd	5" Rd	28"	6-3/8"	1.88	42-1/2"	\$96.00	\$229.71
D	BAL05X26YO-D	5"	3" Sq	5" Sq	26"	6-3/8"	1.88	40-1/2"	\$92.00	\$222.18
E	BAL05X26YO-E	5"	3" Rd	5" Sq	26"	6-3/8"	1.88	40-1/2"	\$92.00	\$222.18
F	BAL05X26YO-F	5"	3" Rd	5" Rd	26"	6-3/8"	1.88	40-1/2"	\$92.00	\$222.18
G	BAL05X24YO-G	5"	3" Sq	3" Sq	24"	6-3/8"	1.88	38-1/2"	\$86.00	\$210.88
H	BAL05X24YO-H	5"	3" Rd	3" Sq	24"	6-3/8"	1.88	38-1/2"	\$86.00	\$210.88
I	BAL05X24YO-I	5"	3" Rd	3" Rd	24"	6-3/8"	1.88	38-1/2"	\$86.00	\$210.88
J	BAL05X23YO-J	5"	None	5" Sq	23"	6-3/8"	1.88	37-1/2"	\$83.00	\$205.24
K	BAL05X23YO-K	5"	None	5" Rd	23"	6-3/8"	1.88	37-1/2"	\$83.00	\$205.24
L	BAL05X21YO-L	5"	None	3" Sq	21"	6-3/8"	1.88	35-1/2"	\$80.00	\$199.59
M	BAL05X21YO-M	5"	None	3" Rd	21"	6-3/8"	1.88	35-1/2"	\$80.00	\$199.59
N	BAL05X18YO-N	5"	None	None	18"	6-3/8"	1.88	32-1/2"	\$68.00	\$177.00

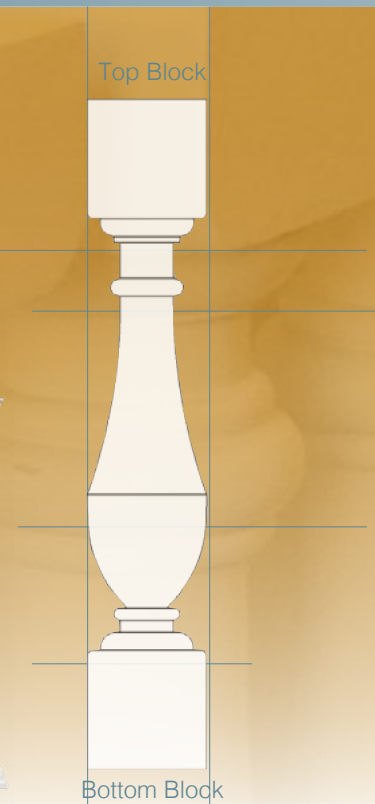
*Overall System Height includes 3 7/8" space below rail, bottom rail, top rail, and baluster height
 **Estimated Price Per Foot includes top and bottom rails and balusters space to pass 4" sphere rule
 We will pre-assemble each section of your balustrade system for only \$38.00 per lineal foot

SPINDLE OPTIONS

The industry's
only full line of
square spindles -
The
Arcadian Line



Arcadian Balustrade System

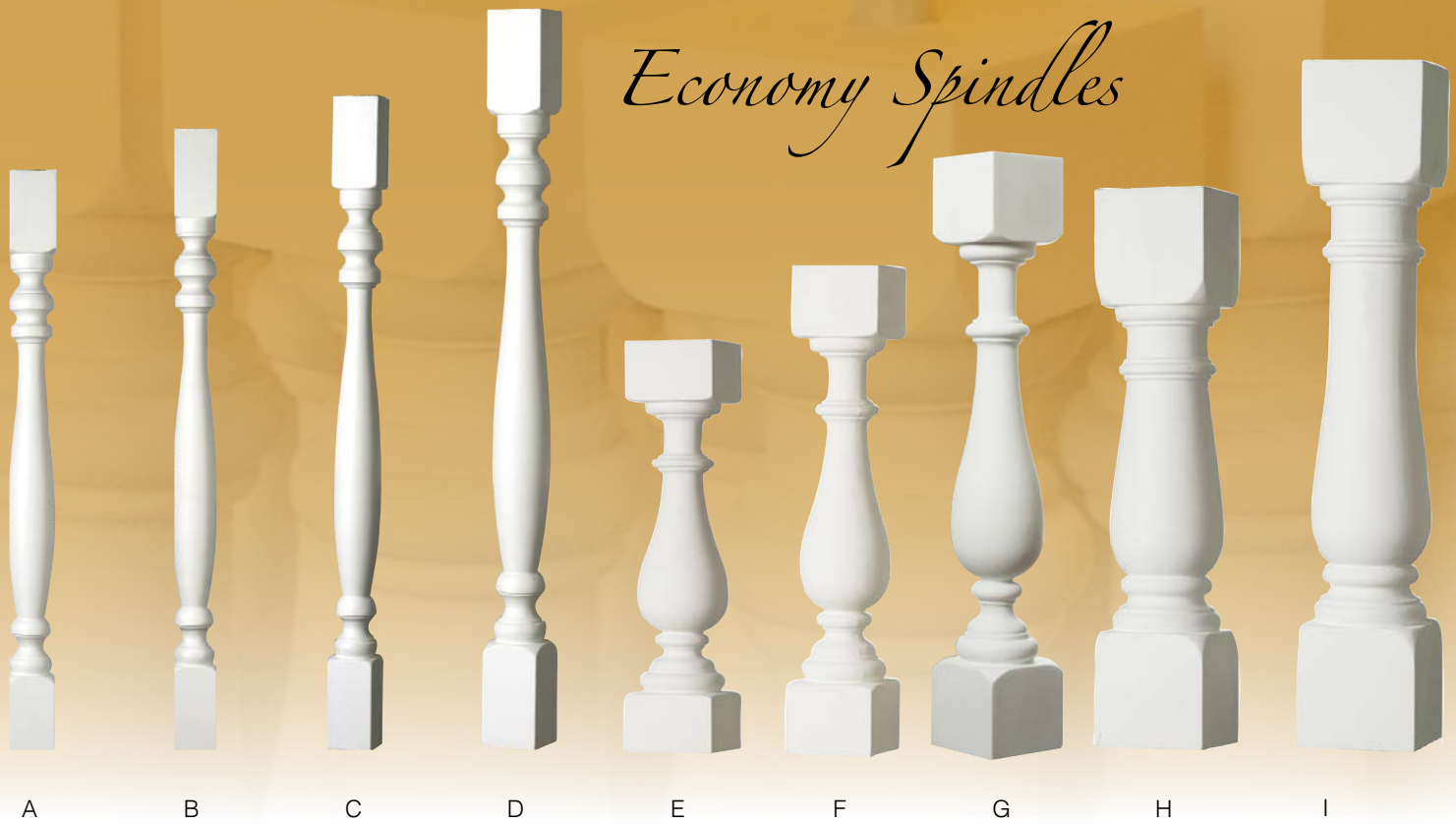


Part Number	Spindle Width	Top Block Height	Bottom Block Height	Spindle Height	On Center Spacing	Spindles per Foot	*Overall System Height	Spindle Price	**Price per Foot
A BAL05X28AC-A	5"	5" Sq	5" Sq	28"	7-3/8"	1.63	42-1/2"	\$96.00	\$205.20
D BAL05X26AC-D	5"	3" Sq	5" Sq	26"	7-3/8"	1.63	40-1/2"	\$92.00	\$198.69
G BAL05X24AC-G	5"	3" Sq	3" Sq	24"	7-3/8"	1.63	38-1/2"	\$86.00	\$188.93
J BAL05X23AC-J	5"	None	5" Sq	23"	7-3/8"	1.63	37-1/2"	\$83.00	\$184.05
L BAL05X21AC-L	5"	None	3" Sq	21"	7-3/8"	1.63	35-1/2"	\$80.00	\$179.17
N BAL05X18AC-N	5"	None	None	18"	7-3/8"	1.63	32-1/2"	\$68.00	\$159.64

all of our balustrades are
Available to Ship
 within
72 hours

*Overall System Height includes 3 7/8" space below rail, bottom rail, top rail, and baluster height
 **Estimated Price Per Foot includes top and bottom rails and balusters space to pass 4" sphere rule
 We will pre-assemble each section of your balustrade system for only \$38.00 per lineal foot

Economy Spindles



Key	Name	Width	Height	On Center Spacing	Price
A	BAL02X24ST	2 1/2"	24"	5 1/4"	\$36.00
B	BAL02X28ST	2 1/2"	28"	5 1/4"	\$43.00
C	BAL02X32ST	2 1/2"	32"	5 1/4"	\$50.00
D	BAL02X36ST	2 1/2"	36"	5 1/4"	\$56.00
E	BAL04X19TR	4 1/4"	19"	5 11/16"	\$52.00
F	BAL04X23TR	4 1/4"	23"	5 11/16"	\$65.00
G	BAL04X27TR	4 1/4"	27"	5 11/16"	\$75.00
H	BAL05X24OX	5"	24"	7 1/2"	\$70.00
I	BAL05X28OX	5"	28"	7 1/2"	\$79.00

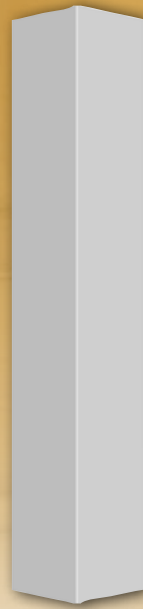
PRE-ASSEMBLED BALUSTRADE SYSTEMS

For \$38.00 per foot, we will preassemble each section of balustrade for your project. Just provide us with exact lengths, and your system will arrive to you ready to be installed!

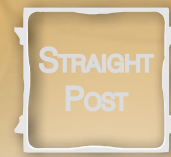
NEWELS AND COLUMNS



**Columns already come with a cap and base*



Choose between the smooth or paneled newl post options. If you choose paneled, dont forget to specify which type.



Column

Part Number	Description	Price	Width	Height
EL0806ENPTUTU	Square Column	\$212.06	8"	72"
EL0808ENPTUTU	Square Column	\$252.40	8"	96"
EL0809ENPTUTU	Square Column	\$272.54	8"	108"
EL0810ENPTUTU	Square Column	\$292.71	8"	120"
EL1006ENPTUTU	Square Column	\$242.06	10"	72"
EL1008ENPTUTU	Square Column	\$288.48	10"	96"
EL1009ENPTUTU	Square Column	\$311.67	10"	108"
EL1010ENPTUTU	Square Column	\$334.90	10"	120"
EL1206ENPTUTU	Square Column	\$332.37	12"	72"
EL1208ENPTUTU	Square Column	\$414.88	12"	96"
EL1209ENPTUTU	Square Column	\$456.13	12"	108"
EL1210ENPTUTU	Square Column	\$497.39	12"	120"

Newel Posts

Part Number	Description	Width	Height	Price
NWL08X40PL	Plain	8"	40"	\$105.00
NWL08X40CP	Corner w/Panel	8"	40"	\$157.00
NWL08X40SP	Straight Post w/Panel	8"	40"	\$157.00
NWL08X40EP	End Post w/Panel	8"	40"	\$205.00
NWL08X48PL	Plain	8"	48"	\$115.00
NWL08X48CP	Corner w/Panel	8"	48"	\$170.00
NWL08X48SP	Straight Post w/Panel	8"	48"	\$170.00
NWL08X48EP	End Post w/Panel	8"	48"	\$205.00
NWL10X40PL	Plain	10"	40"	\$170.00
NWL10X40CP	Corner w/Panel	10"	40"	\$225.00
NWL10X40SP	Straight Post w/Panel	10"	40"	\$225.00
NWL10X40EP	End Post w/Panel	10"	40"	\$260.00
NWL10X48PL	Plain	10"	48"	\$180.00
NWL10X48CP	Corner w/Panel	10"	48"	\$235.00
NWL10X48SP	Straight Post w/Panel	10"	48"	\$235.00
NWL10X48EP	End Post w/Panel	10"	48"	\$270.00
NWL12X40PL	Plain	12"	40"	\$305.00
NWL12X40CP	Corner w/Panel	12"	40"	\$360.00
NWL12X40SP	Straight Post w/Panel	12"	40"	\$360.00
NWL12X40EP	End Post w/Panel	12"	40"	\$395.00
NWL12X48PL	Plain	12"	48"	\$325.00
NWL12X48CP	Corner w/Panel	12"	48"	\$380.00
NWL12X48SP	Straight Post w/Panel	12"	48"	\$380.00
NWL12X48EP	End Post w/Panel	12"	48"	\$415.00

BALUSTRADE COMPONENTS



FIN04X07BL



FIN03X04TR



FIN04X11UR



FIN04X08AB



FIN04X09SO



FIN06X13UR

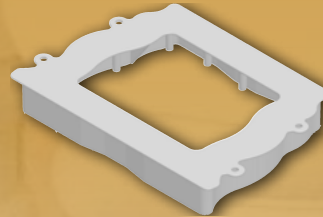
FLAT CAP



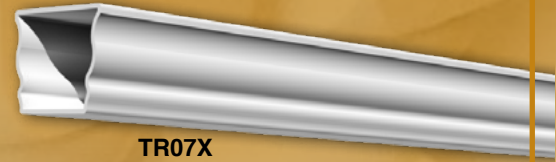
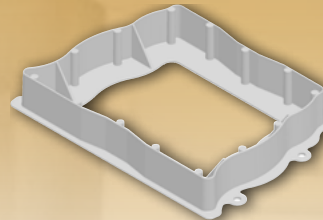
PEAKED CAP



BASE



FTBRACKETS



TR07X



BR07X

If you want to use finials, here are six different options to choose from

**If you are ordering finials, make sure to order a FLAT top cap*

Finials

Part Number	Description	Price
FIN06X13UR	6 3/4"OD x 13"H x 6 15/16"BD Urn	\$26.84
FIN04X07BL	4 1/8"OD x 7"H Blackthorne	\$22.24
FIN03X04TR	3 3/8"OD x 4 3/4"H Traditional	\$15.75
FIN04X11UR	4 7/8"OD x 11 1/2"H Urn Finial	\$24.57
FIN04X08AB	4 7/8"OD x 8 1/4"H Aberdeen	\$24.07
FIN04X09SO	4 1/4"OD x 9 3/8"H Southampton	\$19.47

Caps and Base

Part Number	Description	Price
NPC08X08F	Flat Newel Post Cap for 8" Newel Post	\$16.00
NPC10X10F	Flat Newel Post Cap for 10" Newel Post	\$20.00
NPC12X12F	Flat Newel Post Cap for 12" Newel Post	\$26.00
NPC08X08P	Peaked Newel Post Cap for 8" Newel Post	\$16.00
NPC10X10P	Peaked Newel Post Cap for 10" Newel Post	\$20.00
NPC12X12P	Peaked Newel Post Cap for 12" Newel Post	\$26.00
NPB08X08	Trim Base for 8" Newel Post	\$30.00
NPB10X10	Trim Base for 10" Newel Post	\$36.00
NPB12X12	Trim Base for 12" Newel Post	\$44.00

Railing

Component	Part Number	Price
Brackets	FTBRACKETS Rail Installation Kit (2 Quick-Install brackets)	\$40.00
Top Rail	TR07X - 7"W - Price per Foot	\$24.50
Bottom Rail	BR07X - 7"W - Price per Foot	\$24.50

FIBERTHANE BALUSTRADE

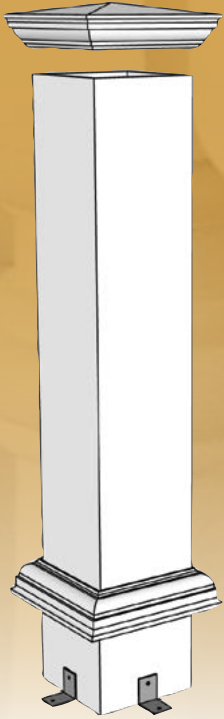


Figure 1

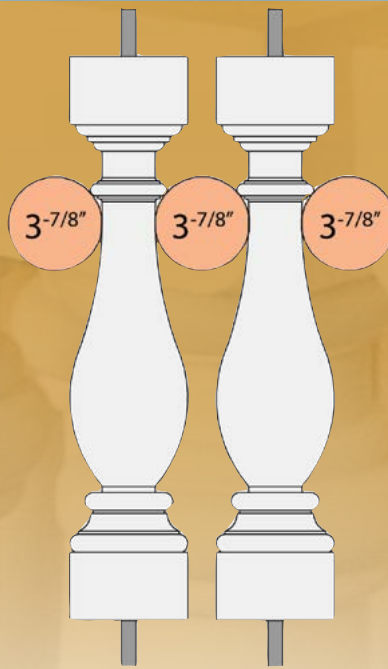


Figure 2

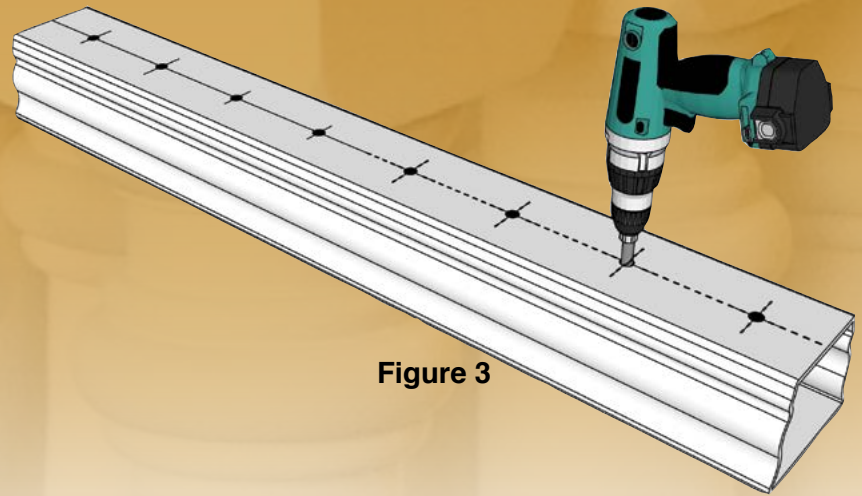


Figure 3

Balustrade Installation Instructions

- 1. Installing Newel Posts (Figure 1)**
 - a. Use the installation kit or appropriate installation hardware.
 - b. Slide the Trim Collar down to cover up the hardware and glue the collar in place.
 - c. Glue the Post Cap in place with PL Premium.
- 2. Rail Lengths Needed**
 - a. Measure the distance for each section of balustrade you need.
 - b. Cut your top and bottom rails to the lengths that you measured for each section. Cut rails $\frac{1}{4}$ " shorter than needed if using the Quick-Install installation brackets. The Rail Installation Brackets will make up for this $\frac{1}{4}$ ".
- 3. Determine How Many Spindles You Need for Each Section (Figure 2)**
 - a. Divide each section length by the spindle's 'Recommended On-Center-Spacing.' This is the maximum spacing to pass the nation-wide 4" sphere code.
 - b. Round up to the nearest full number. This is how many spindles you are going to use.
- 4. Spindle Spacing and Pre-Drilling (Figure 3)**
 - a. Take the number of spindles that you calculated in step #3, and divide the section's length by that number. This will give you the exact on-center-spacing for that specific section (each section that is a different length will have slightly different on-center-spacing).
 - b. Find and mark the centerline on the top and bottom rails.
 - c. Take the on-center-spacing calculated in "a", and divide it by 2. This will give you the distance from the newel post or wall to drill your first hole. Drill your first hole at this point on the centerline.
 - d. Drill each additional hole along the centerline, at a distance of the on-center-spacing calculated in "a" until all holes are drilled for the section.

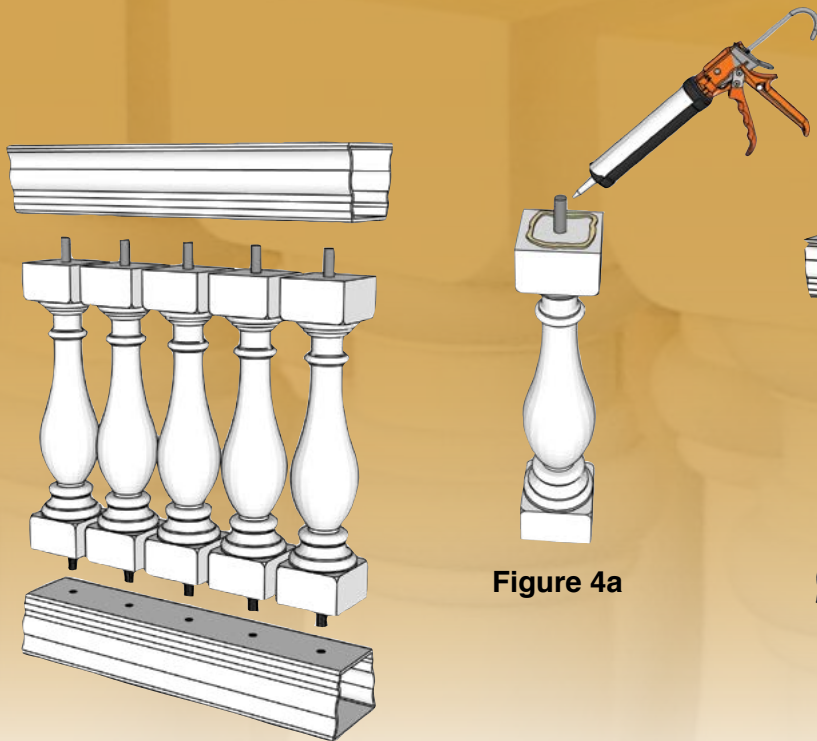


Figure 4a

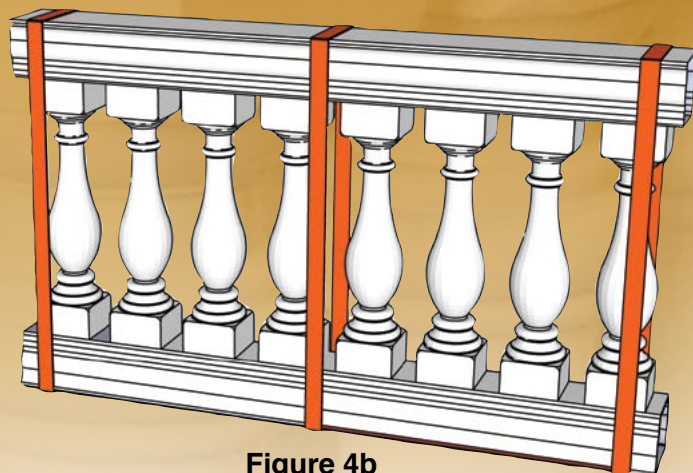


Figure 4b

5. Assemble Each Section (Figure 4)

- a. Apply a small bead of PL Premium adhesive to the bottom of each spindle.
- b. Insert the bottom of the spindle rods into the pre-drilled holes on the bottom rail. Do this for every spindle in the section.
- c. Apply a small bead of PL Premium adhesive on the top of each spindle.
- d. Place the top rail over the spindles, inserting the spindle rods into the pre-drilled holes on the top rail.
- e. Use straps to hold the balustrade section together while the adhesive dries. PL Premium normally dries within 24 hours.
- f. Remove all excess adhesive.
- g. Remove straps once adhesive sets.

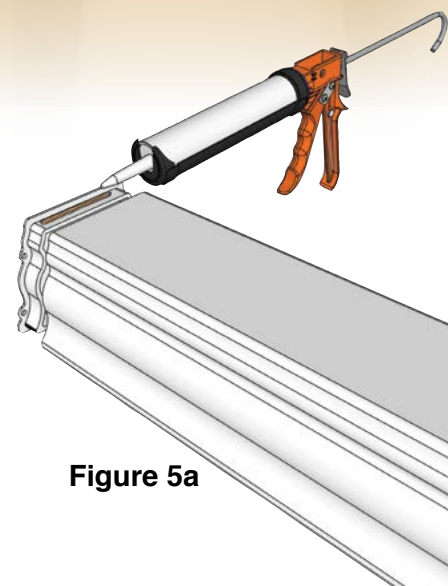


Figure 5a

6. Attach the Assembled Sections to Newel Post or Wall (Figure 5)

- a. Apply a bead of adhesive to the rail installation bracket insert.
- b. Insert the rail installation brackets into each side of the top and bottom rail.
- c. Screw the railing brackets into your newel posts/wall.

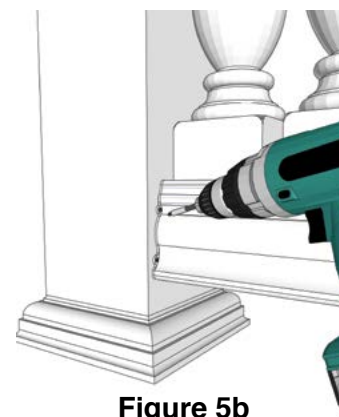


Figure 5b

FIRST CLASS Building Products, Inc.
 3600 Dallas Highway Suite 230-387
 Marietta GA, 30064
 1.770.514.8141
 firstclassbp@gmail.com
 www.firstclassbp.com