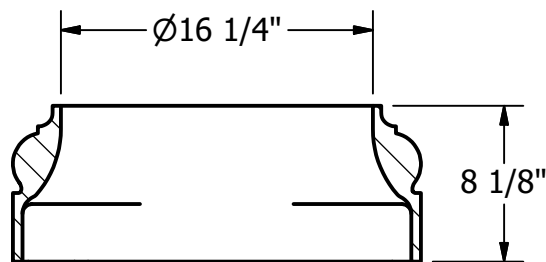
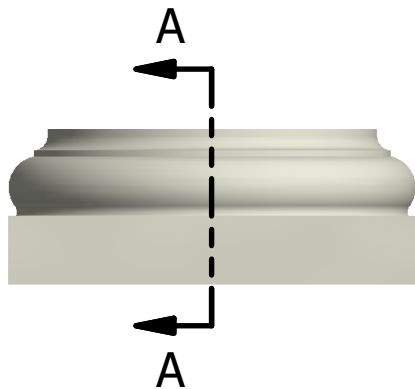
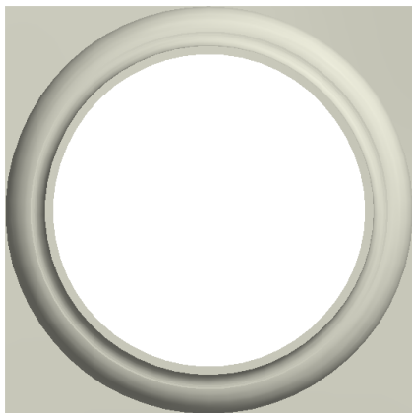


2

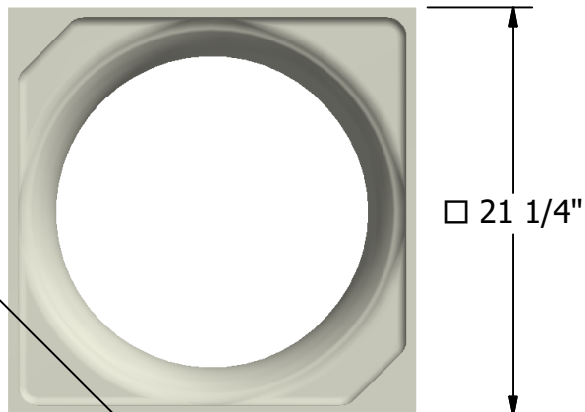
1

**NOTES:**

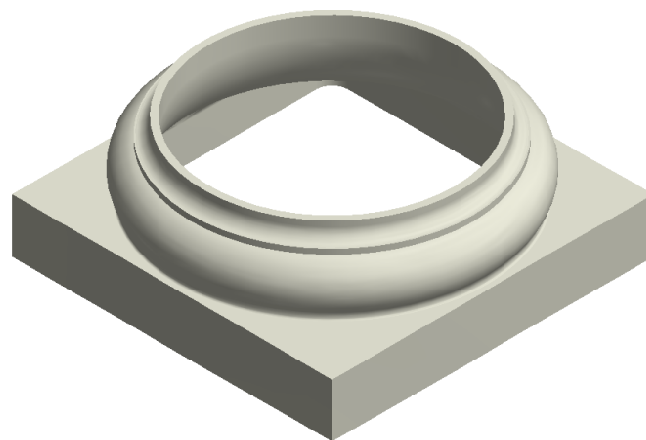
- 1. MATERIAL: FIBERGLASS REINFORCED POLYMER (FRP)
- 2. WEIGHT: 36 Lbs.
- 3. INSIDE DIAMETER: 16 1/4"
- 4. OUTSIDE DIAMETER: 21 1/4"



SECTION A-A



30 1/16"



NOT TO SCALE

First Class Building Products, Inc.  
 3600 Dallas Highway Suite 230-387  
 Marietta, GA 30064  
 Tel: 770-514-8141  
 Email: firstclassbp@gmail.com  
 www.firstclassbp.com

DRAWN Bryan Daniels	5/16/2016
CHECKED	
QA	
MFG	
APPROVED	
DIMENSIONS ARE IN INCHES	
TOLERANCE: ± 1/4"	

**FIRST CLASS**  
 BUILDING PRODUCTS, INC.

TITLE  
 Tuscan Round Base for Non-Tapered Column  
 16 Inch

SIZE A	DWG NO NTTB2616	REV 03
SCALE 1:10	SHEET 1 OF 1	

2

1