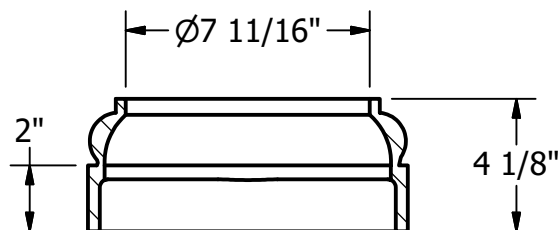
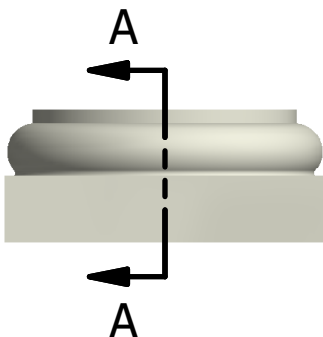
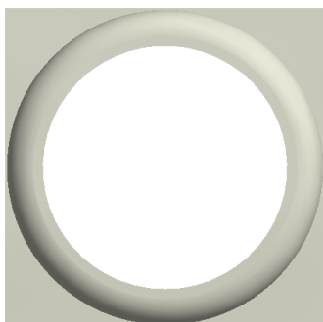


2

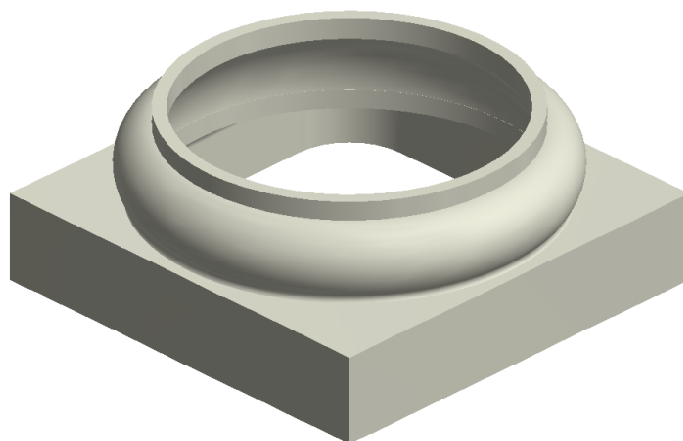
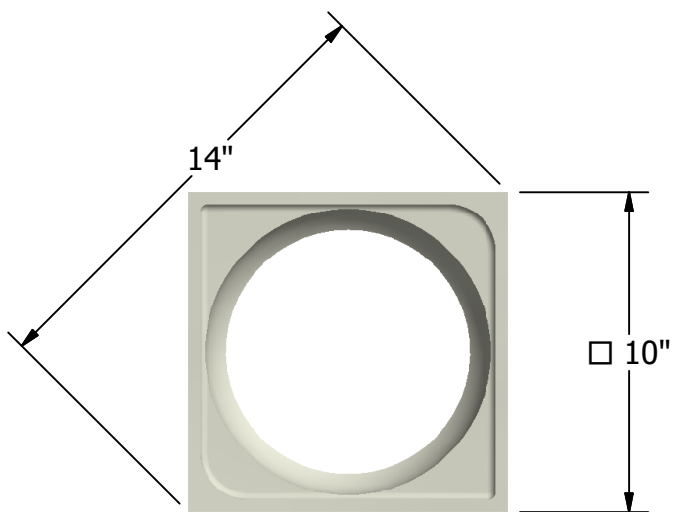
1

NOTES:

- 1. MATERIAL: FIBERGLASS REINFORCED POLYMER (FRP)
- 2. WEIGHT: 4.5 Lbs.
- 3. INSIDE DIAMETER: 7 11/16 "
- 4. OUTSIDE DIAMETER: 10 "



SECTION A-A



NOT TO SCALE

DRAWN Bryan Daniels	5/16/2016
CHECKED	
QA	
DIMENSIONS ARE IN INCHES	
TOLERANCE: ± 1/4"	

FIRST CLASS
BUILDING PRODUCTS, INC.

TITLE

Tuscan Round Column Base 8 Inch

SIZE
A

DWG NO

TB2608

REV
03

SCALE

1:6

SHEET 1 OF 1

First Class Building Products, Inc.
3600 Dallas Highway Suite 230-387
Marietta, GA 30064
Tel: 770-514-8141
Email: firstclassbp@gmail.com
www.firstclassbp.com

2

1