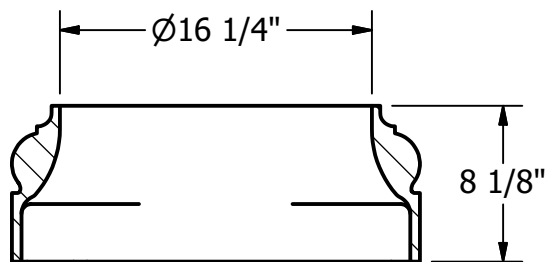
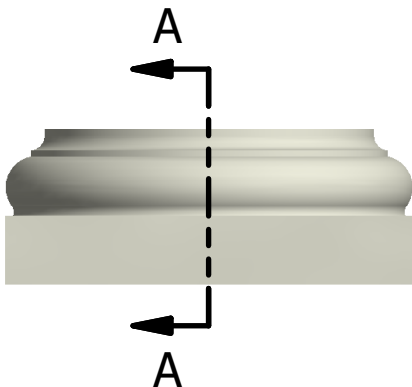
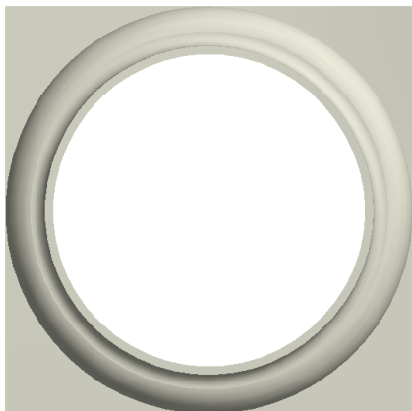


2

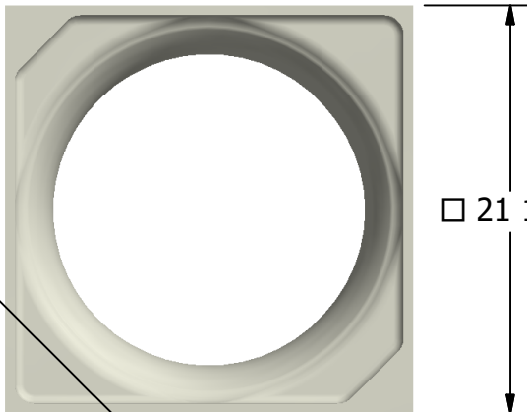
1

NOTES:

- 1. MATERIAL: FIBERGLASS REINFORCED POLYMER (FRP)
- 2. WEIGHT: 36 Lbs.
- 3. INSIDE DIAMETER: 16 1/4 "
- 4. OUTSIDE DIAMETER: 21 1/4 "

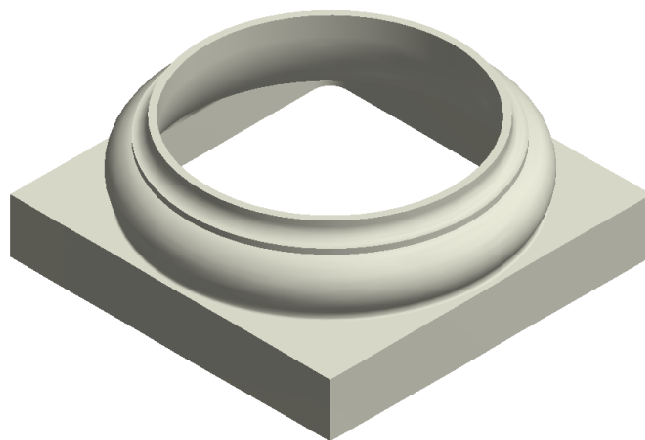


SECTION A-A



□ 21 1/4"

30 1/16"



NOT TO SCALE

DRAWN Bryan Daniels	4/21/2016
CHECKED	
QA	
MFG	
APPROVED	
DIMENSIONS ARE IN INCHES	
TOLERANCE: ± 1/4"	

FIRST CLASS
BUILDING PRODUCTS, INC.

TITLE

Tuscan Round Column Base 16 Inch

SIZE

A

DWG NO

TB2616

REV

03

SCALE

1:10

SHEET 1 OF 1

First Class Building Products, Inc.
3600 Dallas Highway Suite 230-387
Marietta, GA 30064
Tel: 770-514-8141
Email: firstclassbp@gmail.com
www.firstclassbp.com

2

1

