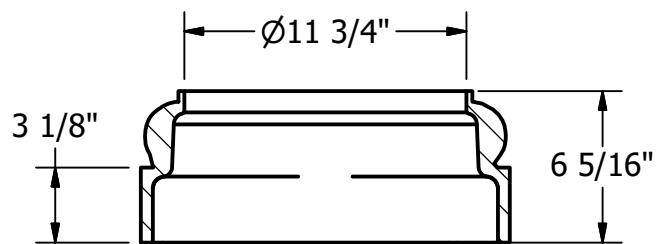
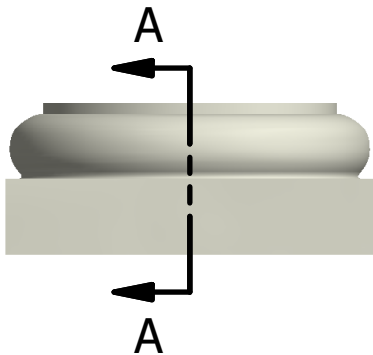
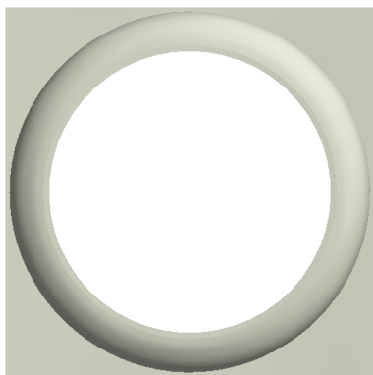


2

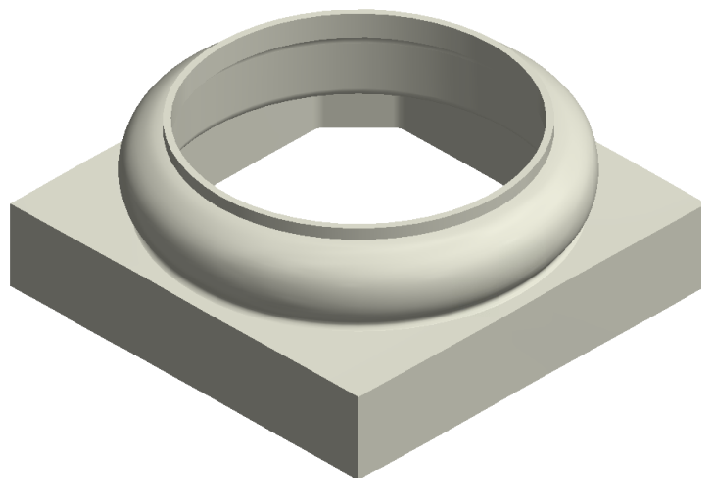
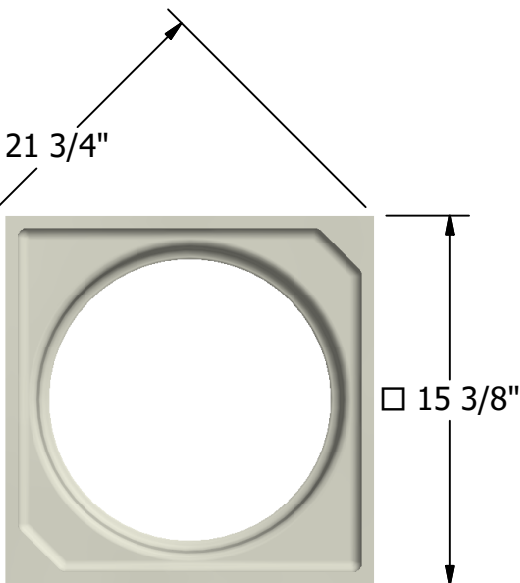
1

**NOTES:**

- 1. MATERIAL: FIBERGLASS REINFORCED POLYMER (FRP)
- 2. WEIGHT: 16.5 Lbs.
- 3. INSIDE DIAMETER: 11 3/4 "
- 4. OUTSIDE DIAMETER: 15 3/8 "



SECTION A-A



NOT TO SCALE

DRAWN Bryan Daniels	5/16/2016
CHECKED	
QA	
DIMENSIONS ARE IN INCHES	
TOLERANCE: ± 1/4"	

**FIRST CLASS**  
BUILDING PRODUCTS, INC.

TITLE

Tuscan Round Column Base 12 Inch

SIZE  
A

DWG NO

TB2612

REV  
03

SCALE

1:8

SHEET 1 OF 1

First Class Building Products, Inc.  
3600 Dallas Highway Suite 230-387  
Marietta, GA 30064  
Tel: 770-514-8141  
Email: firstclassbp@gmail.com  
www.firstclassbp.com

2

1