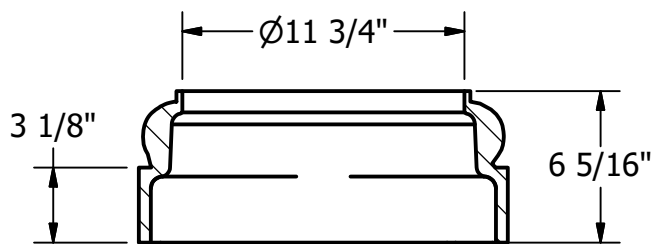
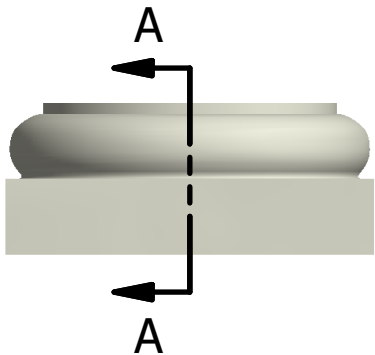
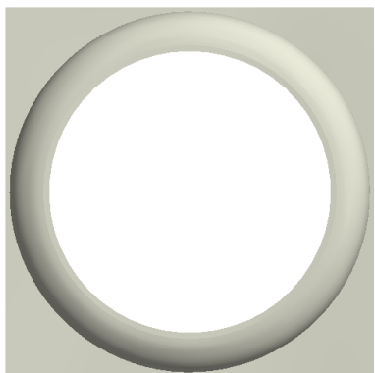


2

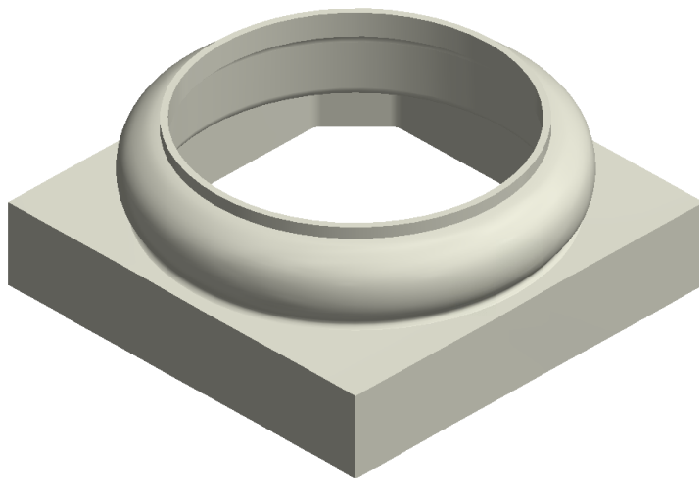
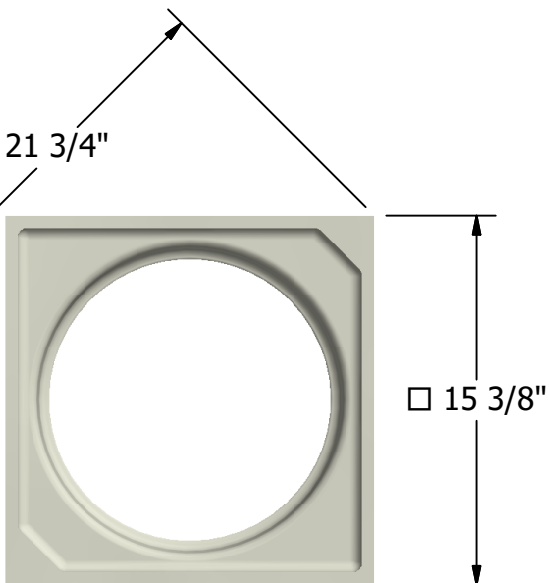
1

NOTES:

- 1. MATERIAL: FIBERGLASS REINFORCED POLYMER (FRP)
- 2. WEIGHT: 16.5 Lbs.
- 3. INSIDE DIAMETER: 11 3/4 "
- 4. OUTSIDE DIAMETER: 15 3/8 "



SECTION A-A



NOT TO SCALE

DRAWN Bryan Daniels	5/16/2016
CHECKED	
QA	
DIMENSIONS ARE IN INCHES	
TOLERANCE: ± 1/4"	

FIRST CLASS
BUILDING PRODUCTS, INC.

TITLE
Tuscan Round Base for Non-Tapered Column 12 Inch

SIZE A	DWG NO NTTB2612	REV 03
-----------	--------------------	-----------

SCALE 1:8 SHEET 1 OF 1

First Class Building Products, Inc.
3600 Dallas Highway Suite 230-387
Marietta, GA 30064
Tel: 770-514-8141
Email: firstclassbp@gmail.com
www.firstclassbp.com

2

1