

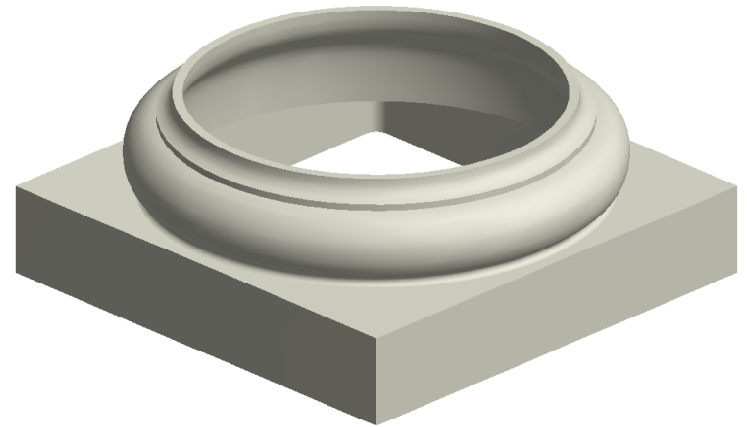
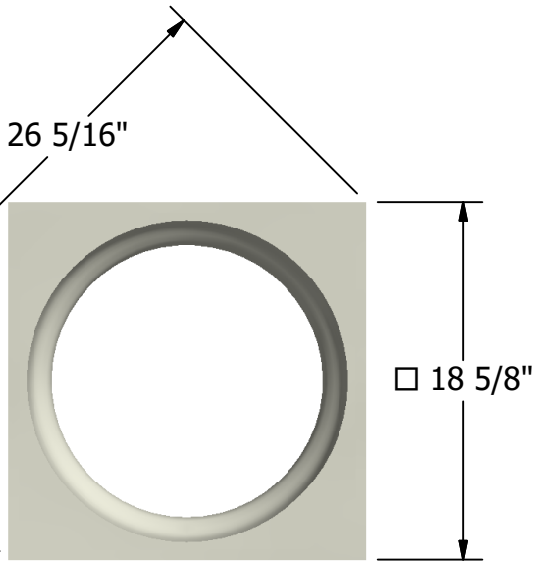
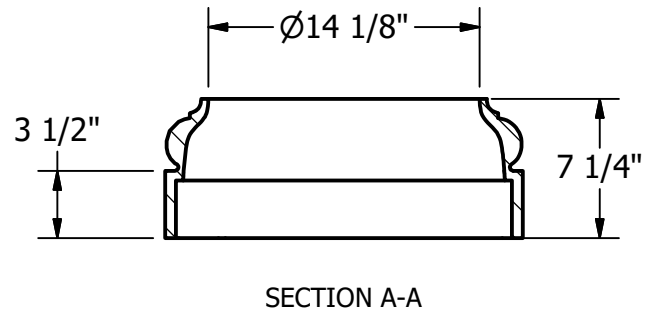
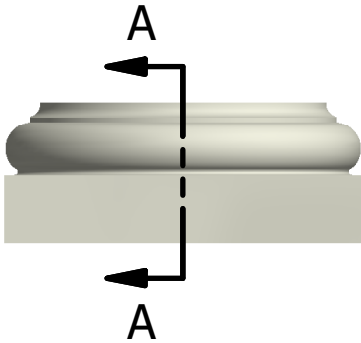
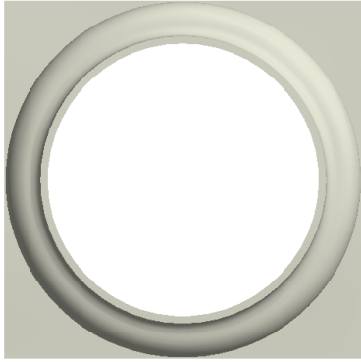
2



1

NOTES:

- 1. MATERIAL: FIBERGLASS REINFORCED POLYMER (FRP)
- 2. WEIGHT: 24 Lbs.
- 3. INSIDE DIAMETER: 14 1/8"
- 4. OUTSIDE DIAMETER: 18 5/8"



NOT TO SCALE

DRAWN Bryan Daniels	5/16/2016
CHECKED	
QA	
DIMENSIONS ARE IN INCHES	
TOLERANCE: ± 1/4"	

FIRST CLASS
BUILDING PRODUCTS, INC.

TITLE
Tuscan Round Base
14 Inch

SIZE A	DWG NO TB2614	REV 03
SCALE 1:10	SHEET 1 OF 1	

First Class Building Products, Inc.
3600 Dallas Highway Suite 230-387
Marietta, GA 30064
Tel: 770-514-8141
Email: firstclassbp@gmail.com
www.firstclassbp.com

2



1