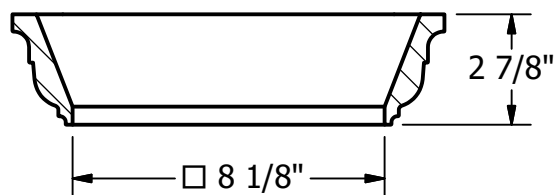
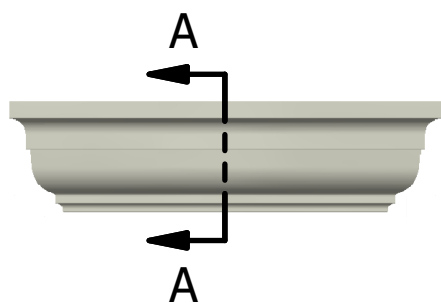
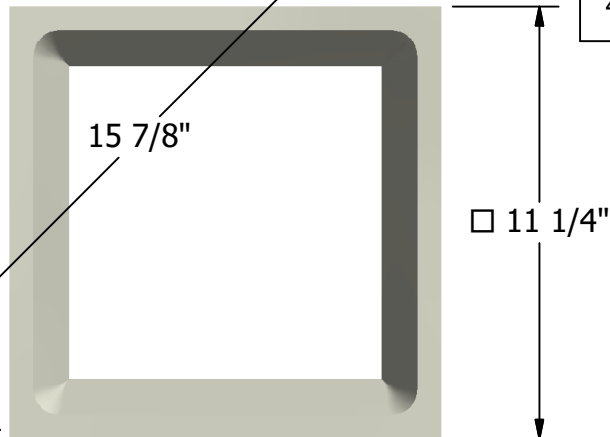


2

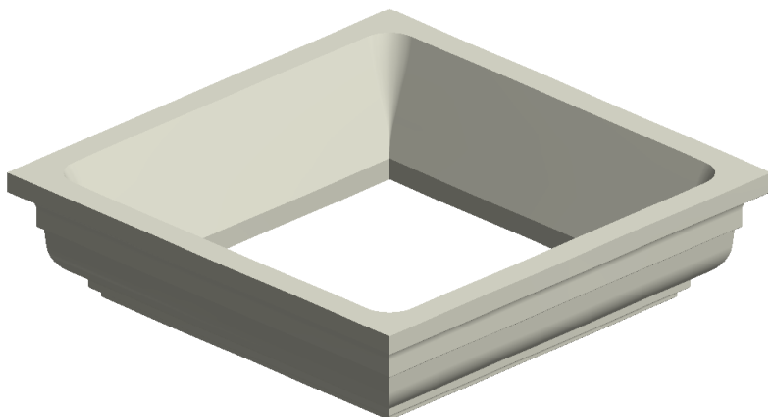
1

NOTES:

- 1. MATERIAL: FIBERGLASS REINFORCED POLYMER (FRP)
- 2. WEIGHT: 5.5 Lbs.
- 3. INSIDE DIAMETER: 8 1/8"
- 4. OUTSIDE DIAMETER: 11 1/4"



SECTION A-A



NOT TO SCALE

First Class Building Products, Inc.
 3600 Dallas Highway Suite 230-387
 Marietta, GA 30064
 Tel: 770-514-8141
 Email: firstclassbp@gmail.com
 www.firstclassbp.com

DRAWN Bryan Daniels	4/19/2016
CHECKED	
QA	
MFG	
APPROVED	
DIMENSIONS ARE IN INCHES	
TOLERANCE: ± 1/4"	

FIRST CLASS
 BUILDING PRODUCTS, INC.

TITLE
 Tuscan Square Cap
 8 Inch

SIZE A	DWG NO SQTC4108	REV 03
SCALE 1:5	SHEET 1 OF 1	