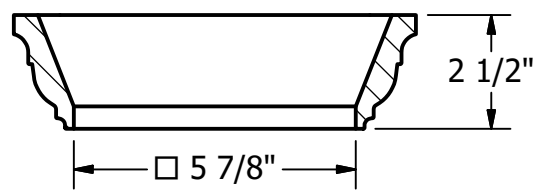
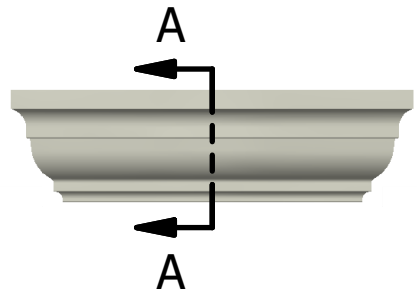
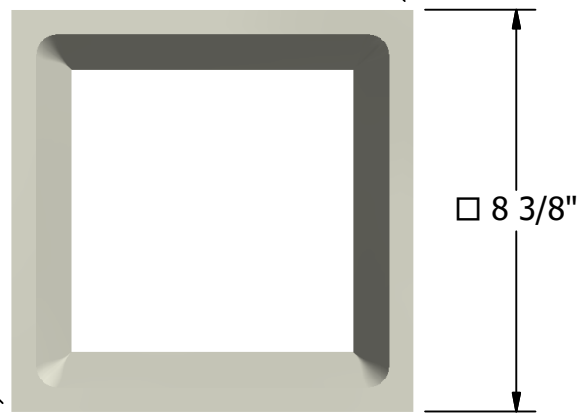
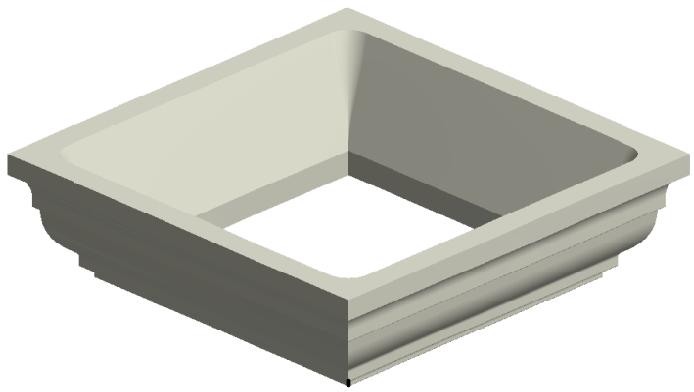
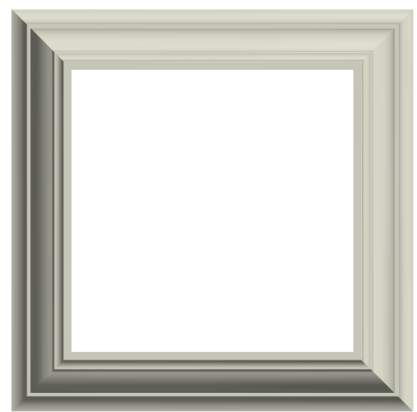


NOTES:

1. MATERIAL: FIBERGLASS REINFORCED POLYMER (FRP)
2. WEIGHT: 4 Lbs.
3. INSIDE DIAMETER: 5 7/8"
4. OUTSIDE DIAMETER: 8 3/8"



SECTION A-A



NOT TO SCALE

First Class Building Products, Inc.
 3600 Dallas Highway Suite 230-387
 Marietta, GA 30064
 Tel: 770-514-8141
 Email: firstclassbp@gmail.com
 www.firstclassbp.com

DRAWN Bryan Daniels	4/19/2016
CHECKED	
QA	
MFG	
APPROVED	
DIMENSIONS ARE IN INCHES	
TOLERANCE: ± 1/4"	

TITLE Tuscan Square Cap 6 Inch			
SIZE A	DWG NO SQTC4106	REV 03	
SCALE 1:4	SHEET 1 OF 1		