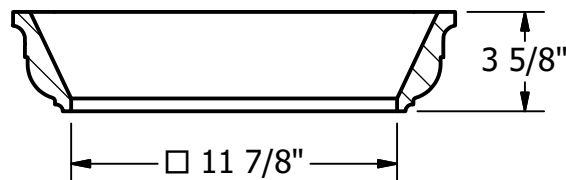
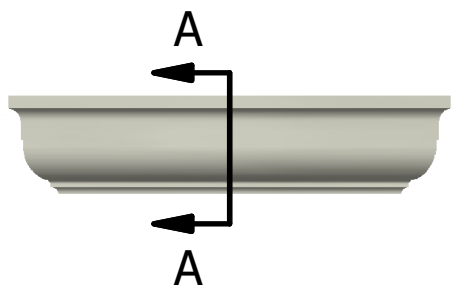
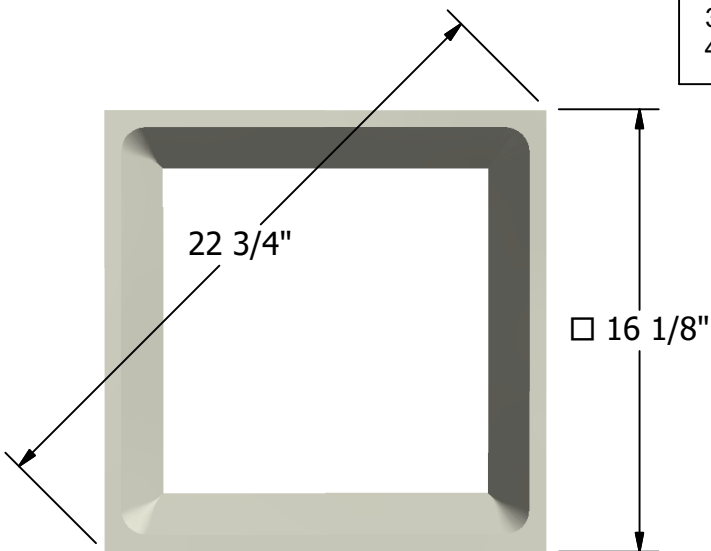
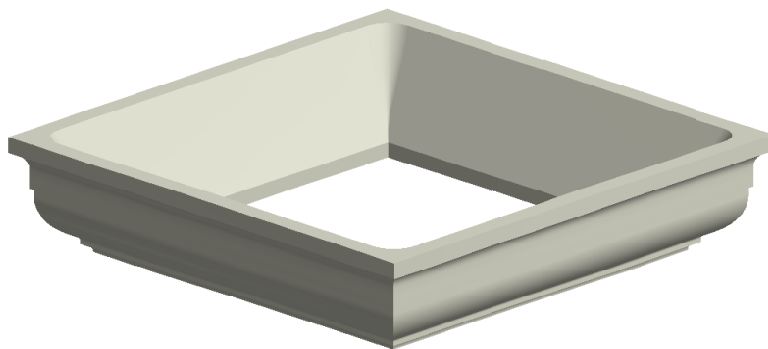


**NOTES:**

1. MATERIAL: FIBERGLASS REINFORCED POLYMER (FRP)
2. WEIGHT: 9 Lbs.
3. INSIDE DIAMETER: 11 7/8"
4. OUTSIDE DIAMETER: 16 1/8"



SECTION A-A



NOT TO SCALE

First Class Building Products, Inc.  
 3600 Dallas Highway Suite 230-387  
 Marietta, GA 30064  
 Tel: 770-514-8141  
 Email: firstclassbp@gmail.com  
 www.firstclassbp.com

DRAWN Bryan Daniels	4/19/2016
CHECKED	
QA	
MFG	
APPROVED	
DIMENSIONS ARE IN INCHES	
TOLERANCE: ± 1/4"	

**FIRST CLASS**  
 BUILDING PRODUCTS, INC.

TITLE  
 Tuscan Square Cap  
 12 Inch

SIZE A	DWG NO SQTC4112	REV 03
SCALE 1:7	SHEET 1 OF 1	