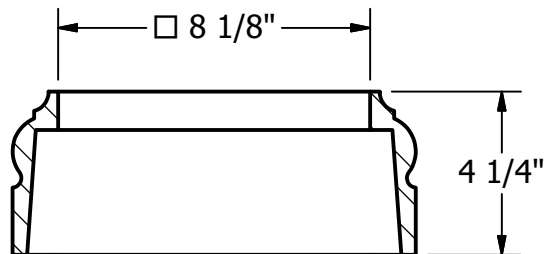
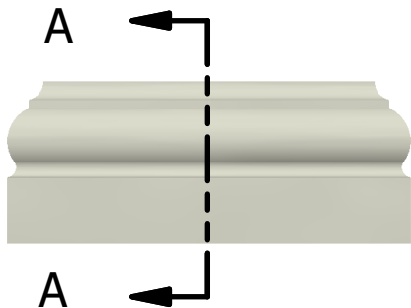
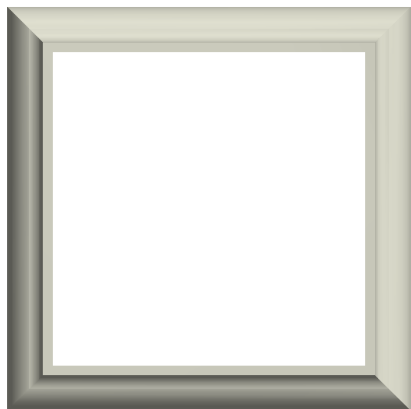


2

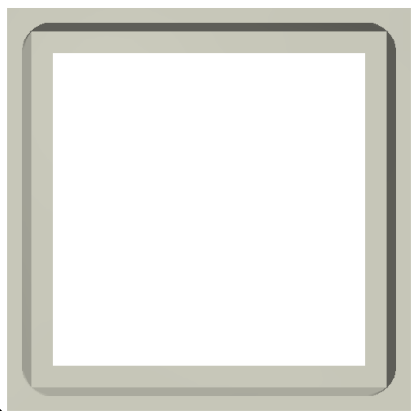
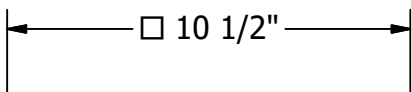
1

NOTES:

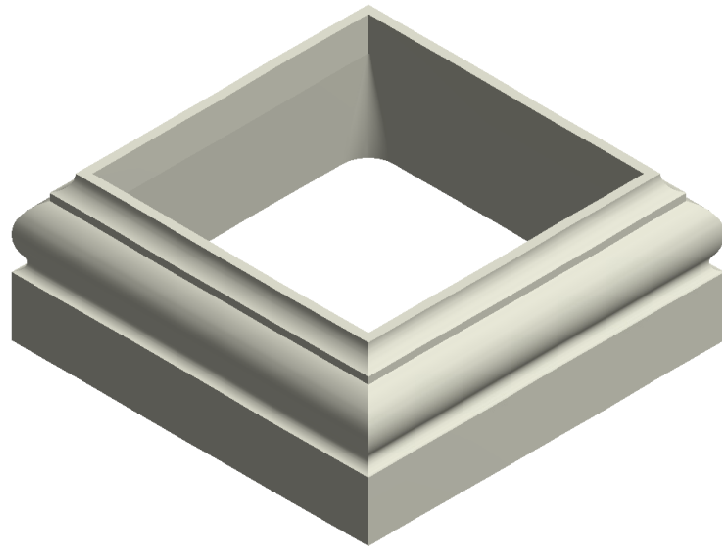
- 1. MATERIAL: FIBERGLASS REINFORCED POLYMER (FRP)
- 2. WEIGHT: 7 Lbs.
- 3. INSIDE DIAMETER: 8 1/8"
- 4. OUTSIDE DIAMETER: 10 1/2"



SECTION A-A



14 7/8"



First Class Building Products, Inc.
 3600 Dallas Highway Suite 230-387
 Marietta, GA 30064
 Tel: 770-514-8141
 Email: firstclassbp@gmail.com
 www.firstclassbp.com

| | |
|--------------------------|-----------|
| DRAWN Bryan Daniels | 4/12/2016 |
| CHECKED | |
| QA | |
| MFG | |
| APPROVED | |
| DIMENSIONS ARE IN INCHES | |
| TOLERANCE: ± 1/4" | |

FIRST CLASS
 BUILDING PRODUCTS, INC.

TITLE
 Tuscan Square Base
 8 Inch

| | | |
|--------------|---------------------|-----------|
| SIZE A | DWG NO SQT B5508 | REV 03 |
| SCALE 1:5 | SHEET 1 OF 1 | |

2

1

