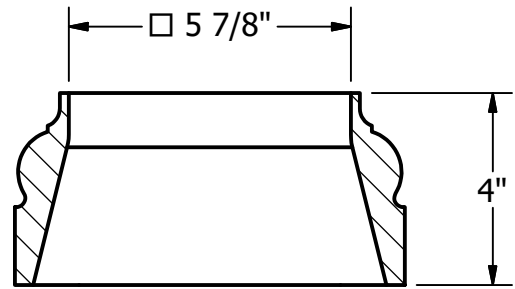
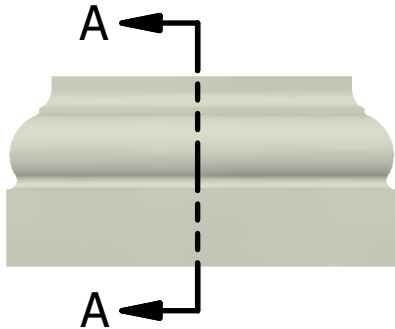
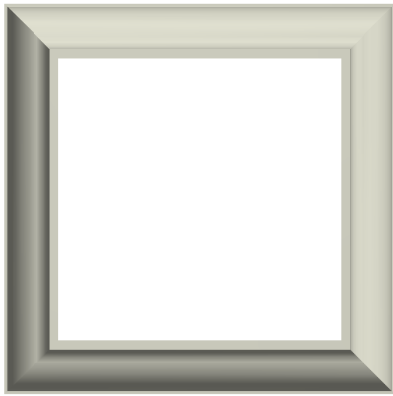


2

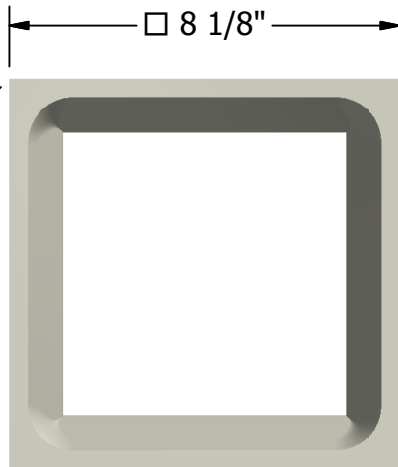
1

NOTES:

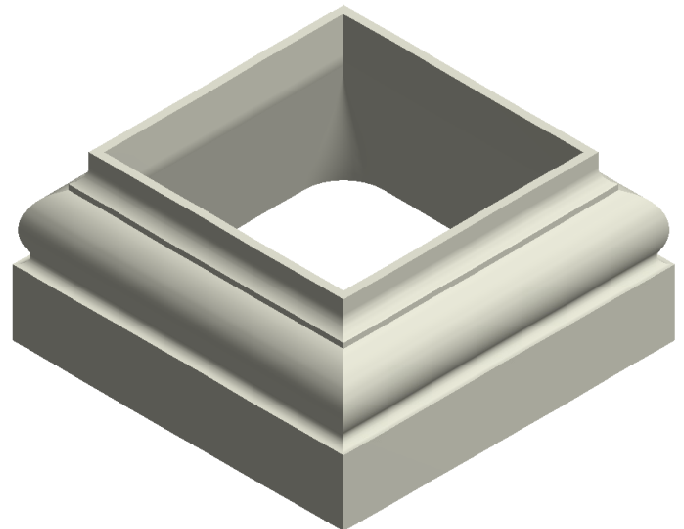
- 1. MATERIAL: FIBERGLASS REINFORCED POLYMER (FRP)
- 2. WEIGHT: 4.5 Lbs.
- 3. INSIDE DIAMETER: 5 7/8 "
- 4. OUTSIDE DIAMETER: 8 1/8 "



SECTION A-A



11 1/2"



NOT TO SCALE

DRAWN Bryan Daniels	4/12/2016
CHECKED	
QA	
MFG	
APPROVED	
DIMENSIONS ARE IN INCHES TOLERANCE: ± 1/4"	

FIRST CLASS
BUILDING PRODUCTS, INC.

TITLE
Tuscan Square Base
6 Inch

SIZE A	DWG NO SQT B5506	REV 03
SCALE 1:4	SHEET 1 OF 1	

First Class Building Products, Inc.
3600 Dallas Highway Suite 230-387
Marietta, GA 30064
Tel: 770-514-8141
Email: firstclassbp@gmail.com
www.firstclassbp.com

2

1