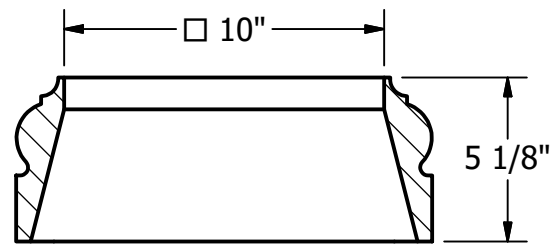
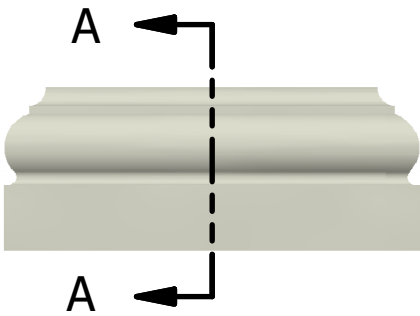
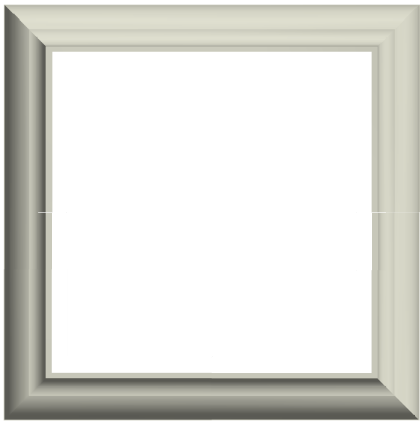


2

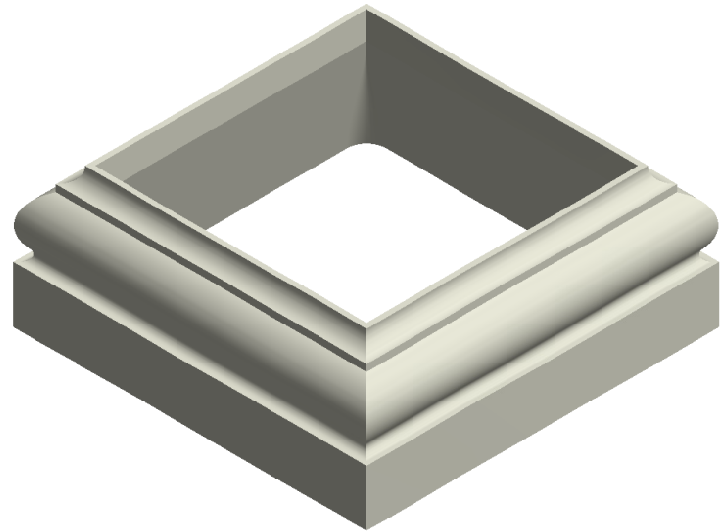
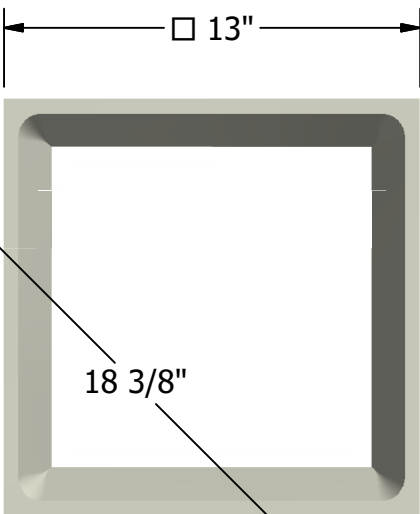
1

NOTES:

- 1. MATERIAL: FIBERGLASS REINFORCED POLYMER (FRP)
- 2. WEIGHT: 9 Lbs.
- 3. INSIDE DIAMETER: 10"
- 4. OUTSIDE DIAMETER: 13"



SECTION A-A



First Class Building Products, Inc.
 3600 Dallas Highway Suite 230-387
 Marietta, GA 30064
 Tel: 770-514-8141
 Email: firstclassbp@gmail.com
 www.firstclassbp.com

DRAWN Bryan Daniels	4/12/2016
CHECKED	
QA	
MFG	
APPROVED	
DIMENSIONS ARE IN INCHES	
TOLERANCE: ± 1/4"	

FIRST CLASS
 BUILDING PRODUCTS, INC.

TITLE
 Tuscan Square Base
 10 inch

SIZE A	DWG NO SQTb5510	REV 03
SCALE 1:6	SHEET 1 OF 1	