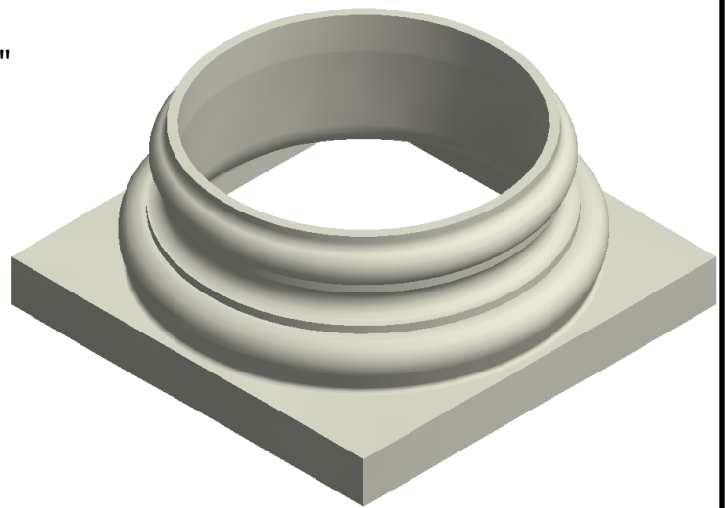
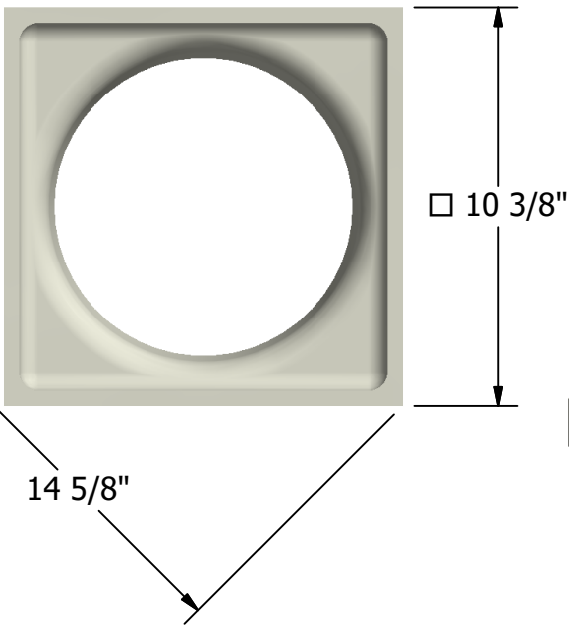
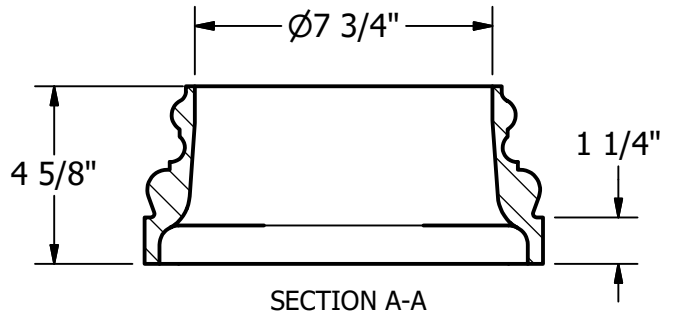
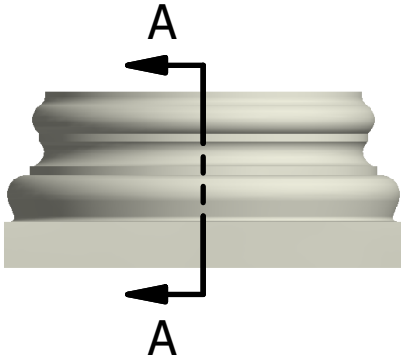
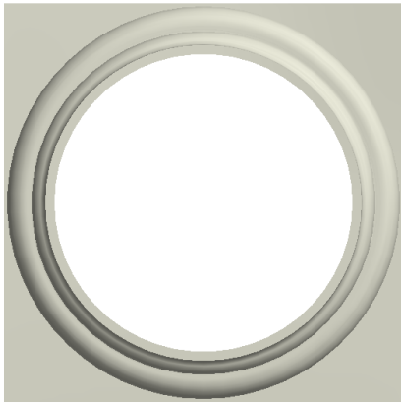


2

1

NOTES:

- 1. MATERIAL: FIBERGLASS REINFORCED POLYMER (FRP)
- 2. WEIGHT: 9 Lbs.
- 3. INSIDE DIAMETER: 7 3/4 "
- 4. OUTSIDE DIAMETER: 10 3/8 "



NOT TO SCALE

DRAWN Bryan Daniels	4/18/2016
CHECKED	
QA	
MFG	
APPROVED	

FIRST CLASS
BUILDING PRODUCTS, INC.

TITLE
Attic Column Base
8 Inch

First Class Building Products, Inc.
3600 Dallas Highway Suite 230-387
Marietta, GA 30064
Tel: 770-514-8141
Email: firstclassbp@gmail.com
www.firstclassbp.com

DIMENSIONS ARE IN INCHES
TOLERANCE: ± 1/4"

SIZE A	DWG NO AB2808	REV 03
SCALE 1:5	SHEET 1 OF 1	

2

1

