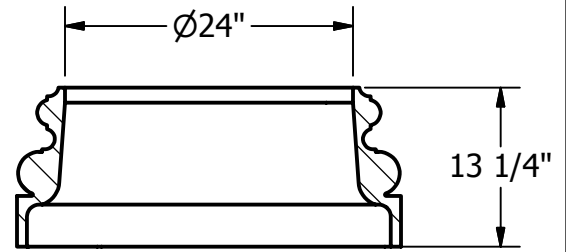
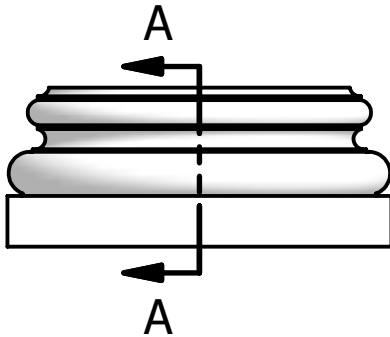
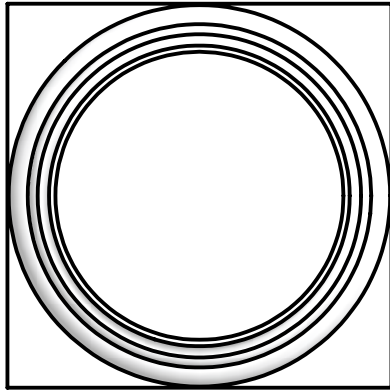
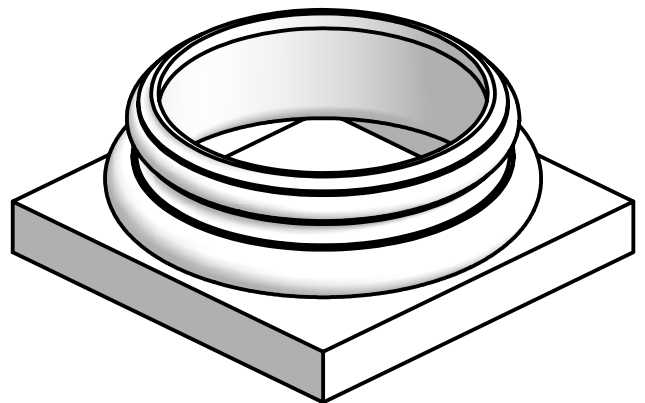
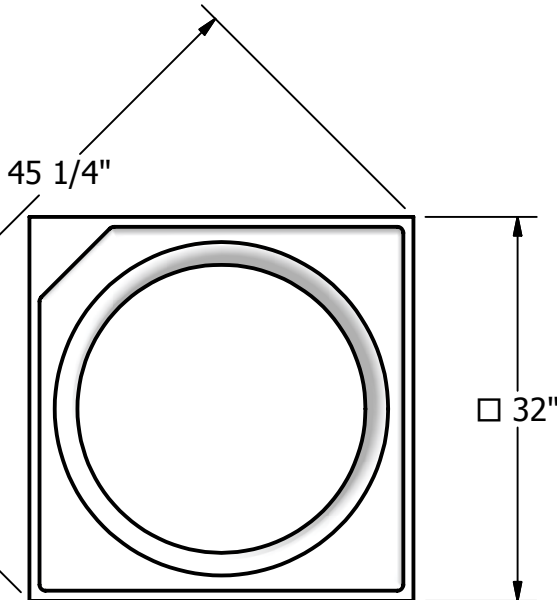


NOTES:

- 1. MATERIAL: FIBERGLASS REINFORCED POLYMER (FRP)
- 2. WEIGHT: 150 Lbs.
- 3. INSIDE DIAMETER: 24 "
- 4. OUTSIDE DIAMETER: 32 "



SECTION A-A



NOT TO SCALE

First Class Building Products, Inc.
 3600 Dallas Highway Suite 230-387
 Marietta, GA 30064
 Tel: 770-514-8141
 Email: firstclassbp@gmail.com
 www.firstclassbp.com

DRAWN Bryan Daniels	5/19/2016
CHECKED	
QA	
DIMENSIONS ARE IN INCHES	
TOLERANCE: ± 1/4"	

FIRST CLASS
 BUILDING PRODUCTS, INC.

TITLE			
Attic Column Base			
24 Inch			
SIZE A	DWG NO AB2824	REV 03	
SCALE 1:16	SHEET 1 OF 1		