

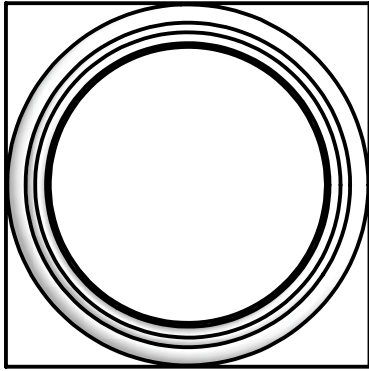
2



1

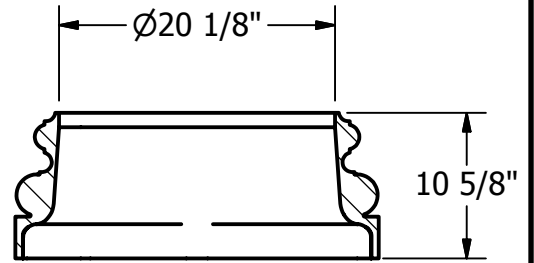
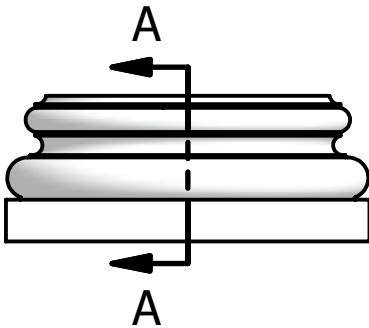
NOTES:

- 1. MATERIAL: FIBERGLASS REINFORCED POLYMER (FRP)
- 2. WEIGHT: 106 Lbs.
- 3. INSIDE DIAMETER: 20 1/8"
- 4. OUTSIDE DIAMETER: 26 1/2"

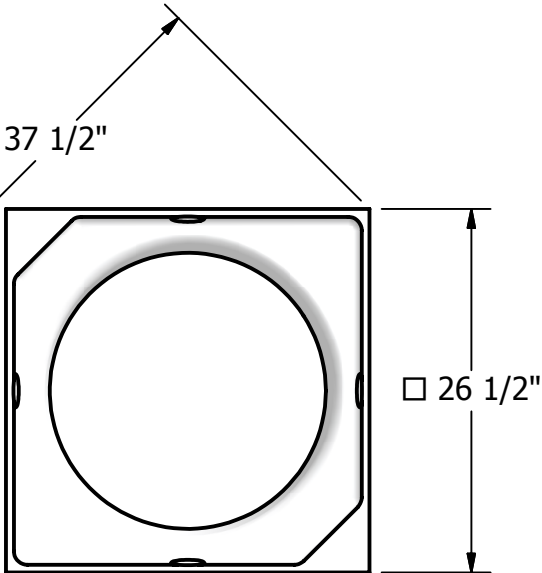


B

B

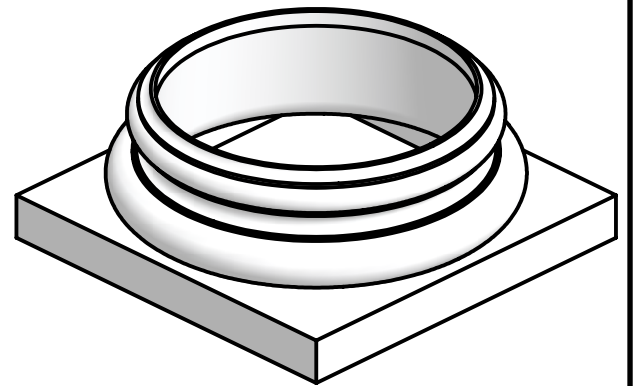


SECTION A-A



A

A



NOT TO SCALE

First Class Building Products, Inc.
 3600 Dallas Highway Suite 230-387
 Marietta, GA 30064
 Tel: 770-514-8141
 Email: firstclassbp@gmail.com
 www.firstclassbp.com

DRAWN Bryan Daniels	5/19/2016
CHECKED	
QA	
DIMENSIONS ARE IN INCHES	
TOLERANCE: ± 1/4"	

FIRST CLASS
 BUILDING PRODUCTS, INC.

TITLE
 Attic Column Base
 20 Inch

SIZE A	DWG NO AB2820	REV 03
SCALE 1:14	SHEET 1 OF 1	

2



1