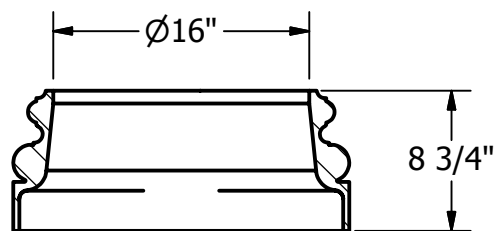
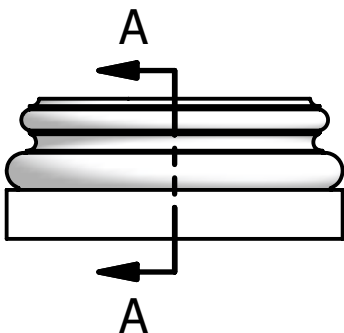
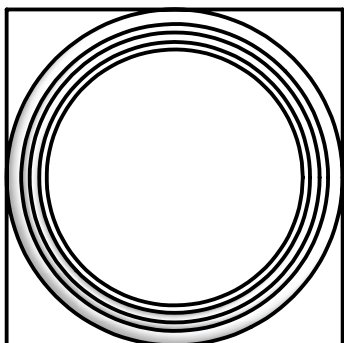


2

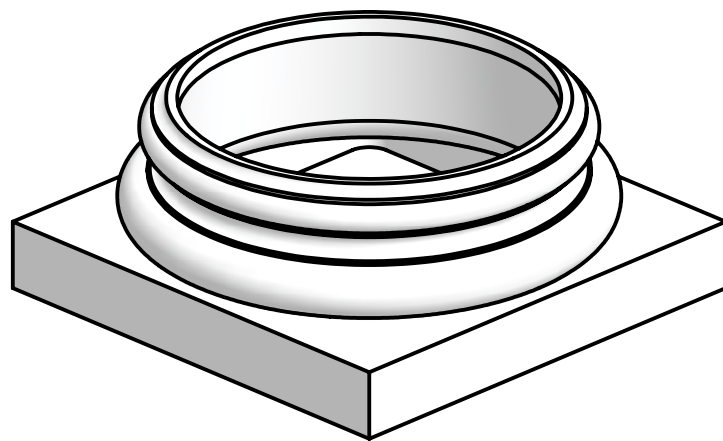
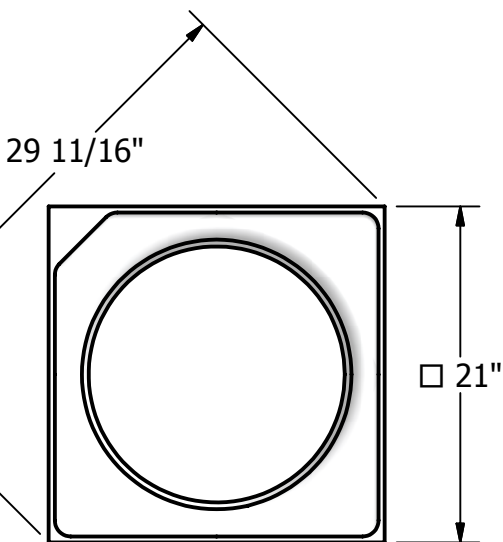
1

**NOTES:**

- 1. MATERIAL: FIBERGLASS REINFORCED POLYMER (FRP)
- 2. WEIGHT: 48 Lbs.
- 3. INSIDE DIAMETER: 16 "
- 4. OUTSIDE DIAMETER: 21 "



SECTION A-A



NOT TO SCALE

DRAWN Bryan Daniels	5/19/2016
CHECKED	
QA	
DIMENSIONS ARE IN INCHES	
TOLERANCE: ± 1/4"	

**FIRST CLASS**  
BUILDING PRODUCTS, INC.

TITLE  
Attic Base  
16 inch

First Class Building Products, Inc.  
3600 Dallas Highway Suite 230-387  
Marietta, GA 30064  
Tel: 770-514-8141  
Email: firstclassbp@gmail.com  
www.firstclassbp.com

SIZE A	DWG NO AB2816	REV 03
SCALE 1:12	SHEET 1 OF 1	

2

1