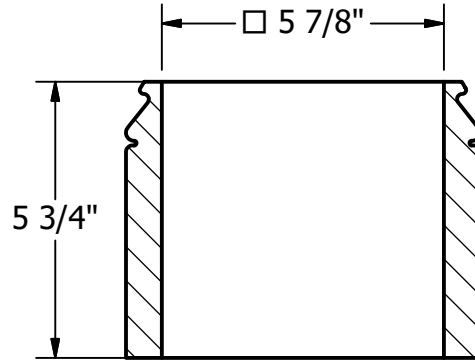
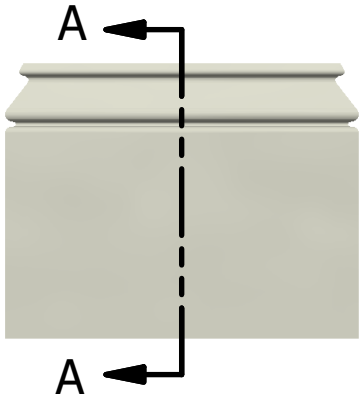
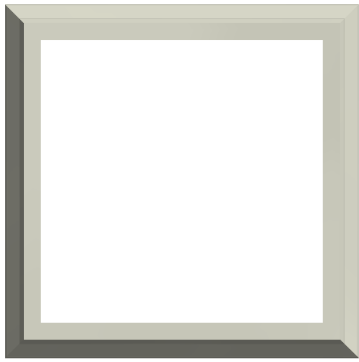


2

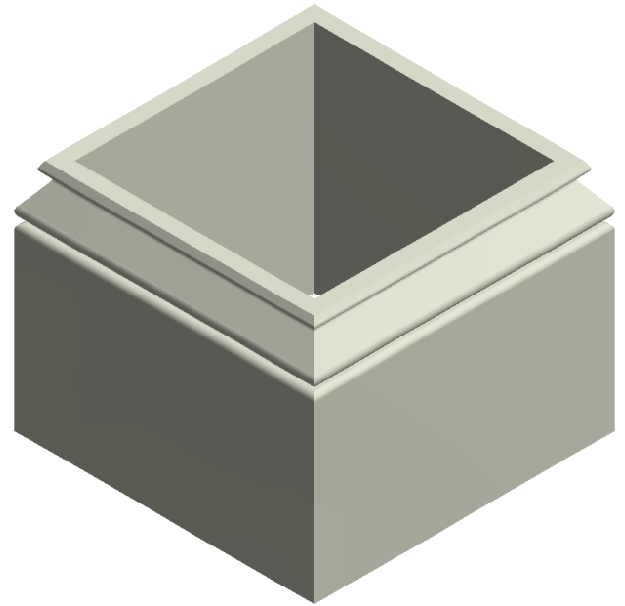
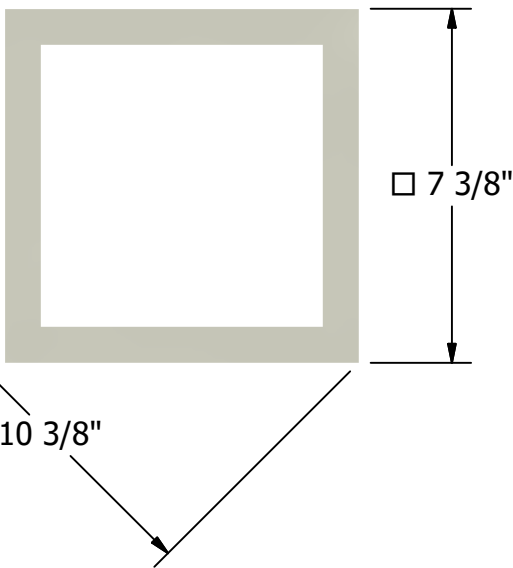
1

NOTES:

- 1. MATERIAL: FIBERGLASS REINFORCED POLYMER (FRP)
- 2. WEIGHT: 6 Lbs.
- 3. INSIDE DIAMETER: 5 7/8"
- 4. OUTSIDE DIAMETER: 7 3/8"



SECTION A-A



NOT TO SCALE

First Class Building Products, Inc.
 3600 Dallas Highway Suite 230-387
 Marietta, GA 30064
 Tel: 770-514-8141
 Email: firstclassbp@gmail.com
 www.firstclassbp.com

DRAWN Bryan Daniels	4/18/2016
CHECKED	
QA	
MFG	
APPROVED	
DIMENSIONS ARE IN INCHES	
TOLERANCE: ± 1/4"	

FIRST CLASS
 BUILDING PRODUCTS, INC.

TITLE
 Alto Base
 6 Inch

SIZE A	DWG NO SQAB5606	REV 03
SCALE 1:4	SHEET 1 OF 1	