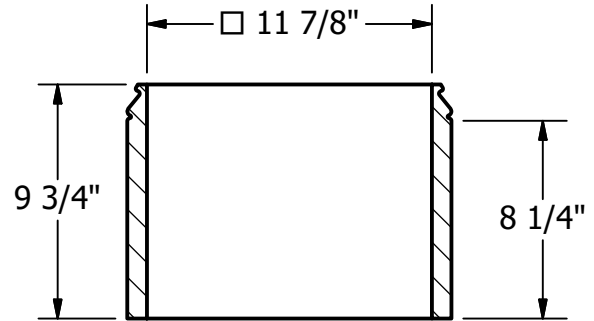
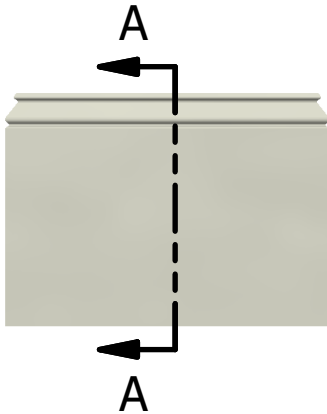
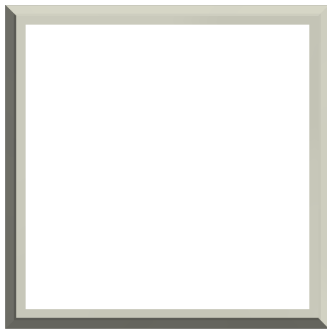


2

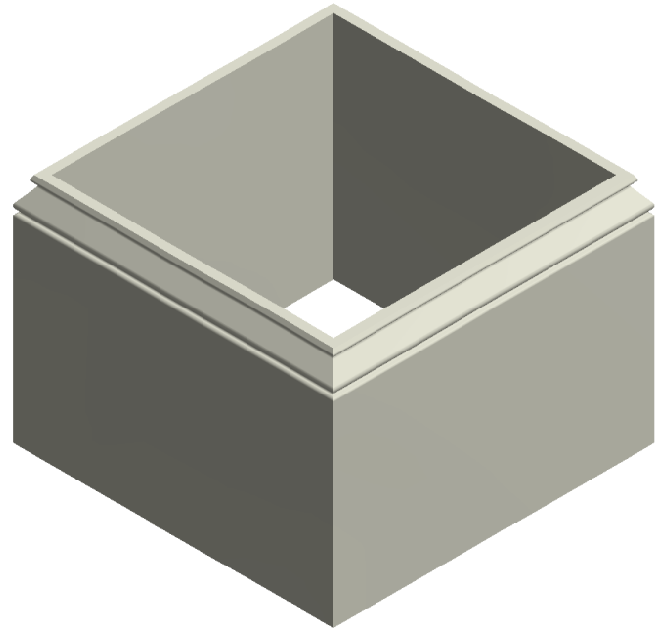
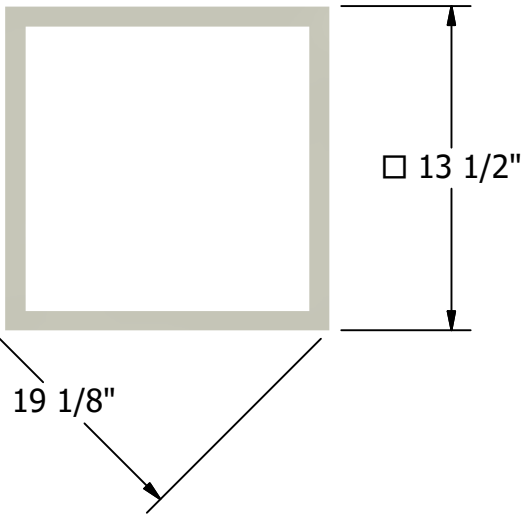
1

NOTES:

- 1. MATERIAL: FIBERGLASS REINFORCED POLYMER (FRP)
- 2. WEIGHT: 18 Lbs.
- 3. INSIDE DIAMETER: 11 7/8"
- 4. OUTSIDE DIAMETER: 13 1/2"



SECTION A-A



NOT TO SCALE

DRAWN Bryan Daniels	4/18/2016
CHECKED	
QA	
MFG	
APPROVED	
DIMENSIONS ARE IN INCHES	
TOLERANCE: ± 1/4"	

FIRST CLASS
BUILDING PRODUCTS, INC.

TITLE
Alto Base
12 Inch

First Class Building Products, Inc.
3600 Dallas Highway Suite 230-387
Marietta, GA 30064
Tel: 770-514-8141
Email: firstclassbp@gmail.com
www.firstclassbp.com

SIZE A	DWG NO SQAB5612	REV 03
SCALE 1:8	SHEET 1 OF 1	

2

1

