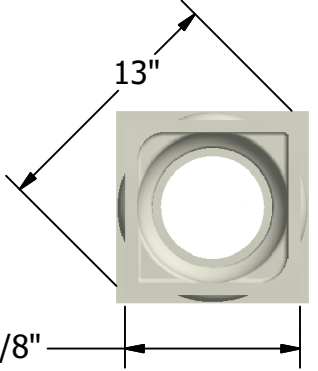


2

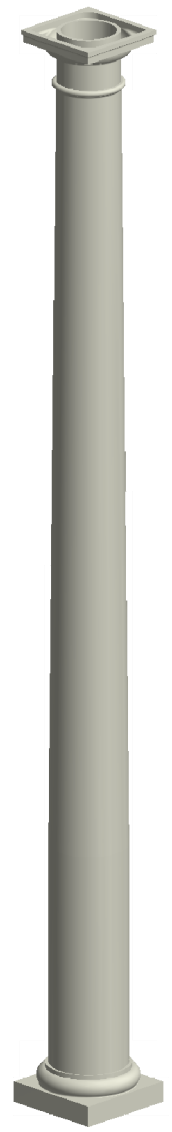
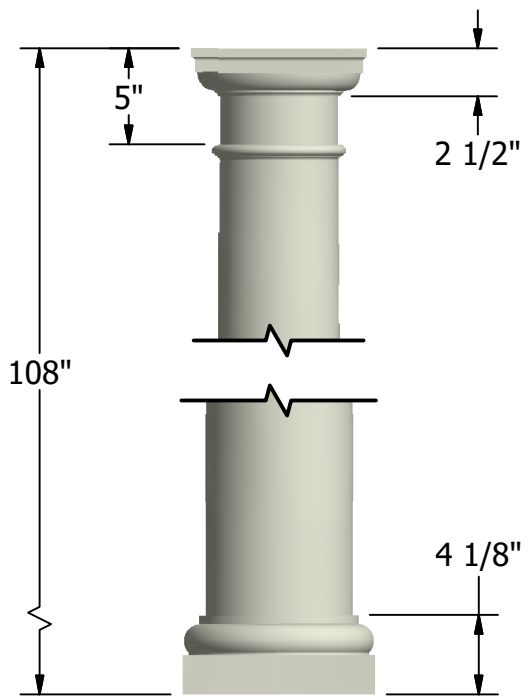
1



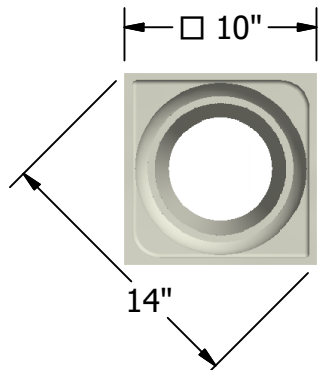
- NOTES:**
1. MATERIAL: FIBERGLASS REINFORCED POLYMER (FRP)
 2. WEIGHT: COLUMN: 68 Lbs.
CAP: 2.5 Lbs.
BASE: 4.5 Lbs.
 3. MATERIAL THICKNESS.
COLUMN: 3/8"
 4. INSIDE DIAMETER AT TOP OF COLUMN: 5 3/8"
 5. OUTSIDE DIAMETER AT TOP OF COLUMN: 6 1/8"
 6. INSIDE DIAMETER AT BOTTOM OF COLUMN: 6 7/8"
 7. OUTSIDE DIAMETER AT BOTTOM OF COLUMN: 7 5/8"
 8. TAPER STARTS FROM BOTTOM OF COLUMN: 26"
 9. MAXIMUM LOAD BEARING WEIGHT: 10000 Lbs.



□ 9 1/8"



NOT TO SCALE



DRAWN Bryan Daniels	5/10/2016
CHECKED	
QA	
MFG	
APPROVED	
DIMENSIONS ARE IN INCHES TOLERANCE: ± 1/4"	

FIRST CLASS
BUILDING PRODUCTS, INC.

TITLE Tuscan Round, Smooth 8" x 9'	
SIZE A	DWG NO SM0809
SCALE 1:10	REV 03

First Class Building Products -bW
3600 Dallas Highway Suite 230-387
Marietta, GA 30064
Tel: 770-514-8141
Email: firstclassbp@gmail.com
www.firstclassbp.com

SHEET 1 OF 1

2

1

