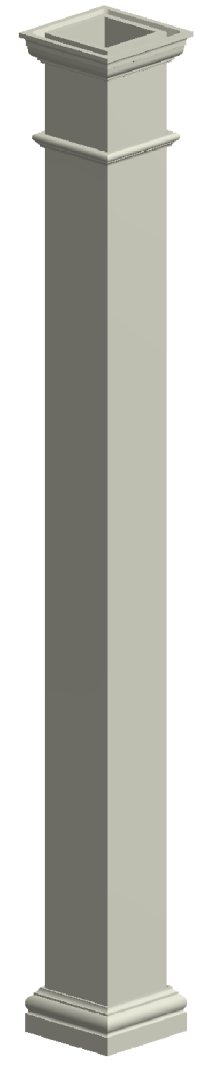
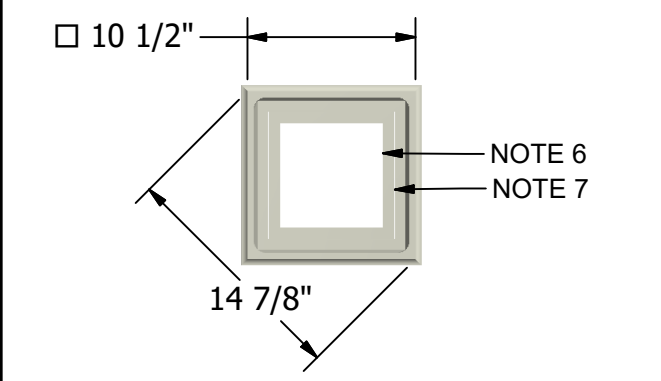
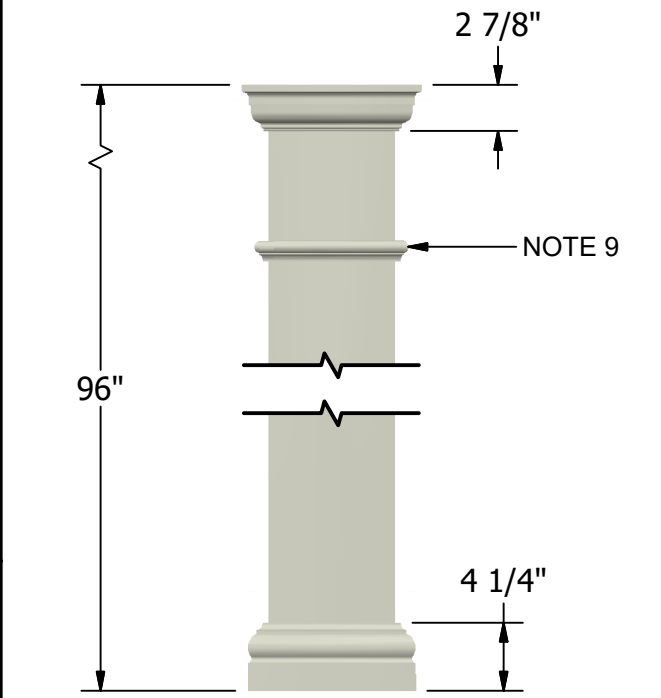


- NOTES:**
1. MATERIAL: FIBERGLASS REINFORCED POLYMER (FRP)
 2. WEIGHT: COLUMN: 90 Lbs.
CAP: 5.5 Lbs.
BASE: 7 Lbs.
 3. MATERIAL THICKNESS.
COLUMN: 1/2"
 4. INSIDE DIAMETER AT TOP OF COLUMN: 6 7/16"
 5. OUTSIDE DIAMETER AT TOP OF COLUMN: 7 15/16"
 6. INSIDE DIAMETER AT BOTTOM OF COLUMN: 6 7/16"
 7. OUTSIDE DIAMETER AT BOTTOM OF COLUMN: 7 15/16"
 8. MAXIMUM LOAD BEARING WEIGHT: 10000 Lbs.
 9. NECK RING HEIGHT TO BE DETERMINED BY CUSTOMER



NOT TO SCALE

First Class Building Products, Inc.
3600 Dallas Highway Suite 230-387
Marietta, GA 30064
Tel: 770-514-8141
Email: firstclassbp@gmail.com
www.firstclassbp.com

DRAWN Bryan Daniels	4/13/2016
CHECKED	
QA	
MFG	
APPROVED	
DIMENSIONS ARE IN INCHES	
TOLERANCE: ± 1/4"	

FIRST CLASS
BUILDING PRODUCTS, INC.

TITLE 8" x 8' Square Post Assembly			
SIZE A	DWG NO SQS0808	REV 03	
SCALE 1:12	SHEET 1 OF 1		