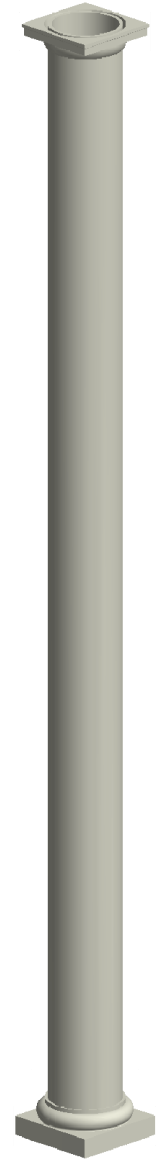
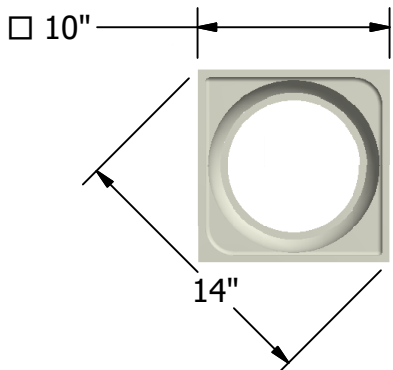
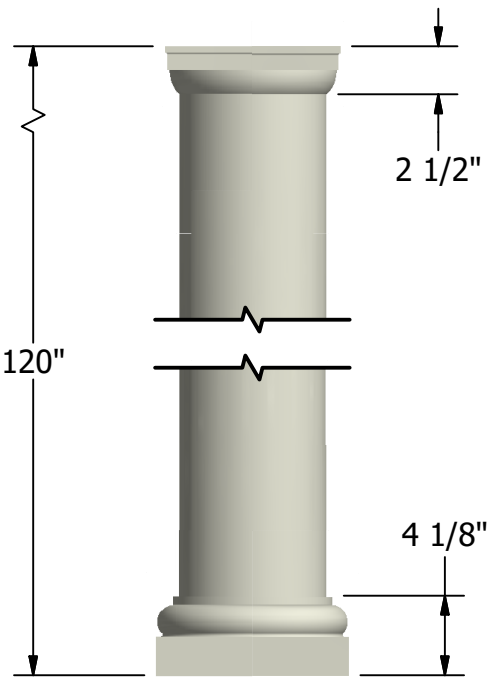
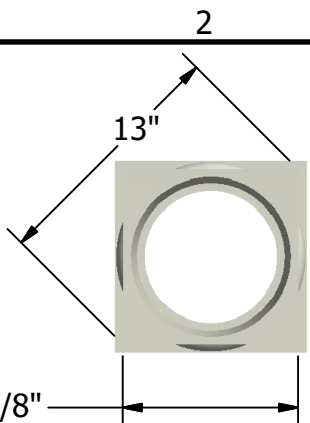




1

- NOTES:**
1. MATERIAL: FIBERGLASS REINFORCED POLYMER (FRP)
 2. WEIGHT: COLUMN: 68 Lbs.
CAP: 2.5 Lbs.
BASE: 4.5 Lbs.
 3. MATERIAL THICKNESS.
COLUMN: 3/8"
 4. INSIDE DIAMETER AT TOP OF COLUMN: 6 7/8"
 5. OUTSIDE DIAMETER AT TOP OF COLUMN: 7 5/8"
 6. INSIDE DIAMETER AT BOTTOM OF COLUMN: 6 7/8"
 7. OUTSIDE DIAMETER AT BOTTOM OF COLUMN: 7 5/8"
 8. MAXIMUM LOAD BEARING WEIGHT: 10000 Lbs.



NOT TO SCALE

DRAWN Bryan Daniels	5/12/2016
CHECKED	
QA	
DIMENSIONS ARE IN INCHES	
TOLERANCE: ± 1/4"	

FIRST CLASS
BUILDING PRODUCTS, INC.

TITLE Tuscan Round, Non-Tapered 8" x 10'		
SIZE A	DWG NO NTSM0810	REV 03

First Class Building Products -bW
3600 Dallas Highway Suite 230-387
Marietta, GA 30064
Tel: 770-514-8141
Email: firstclassbp@gmail.com
www.firstclassbp.com

SCALE 1:10	SHEET 1 OF 1
---------------	--------------

2



1

B

B

A

A