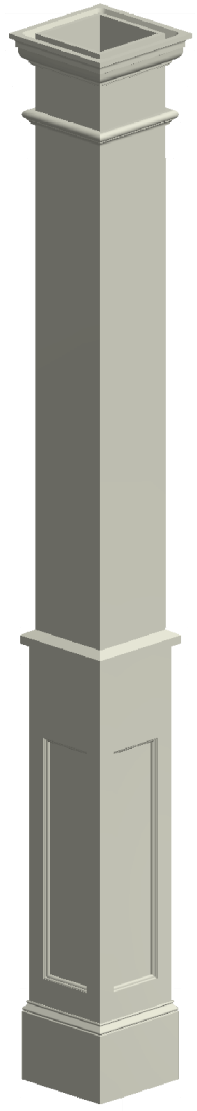
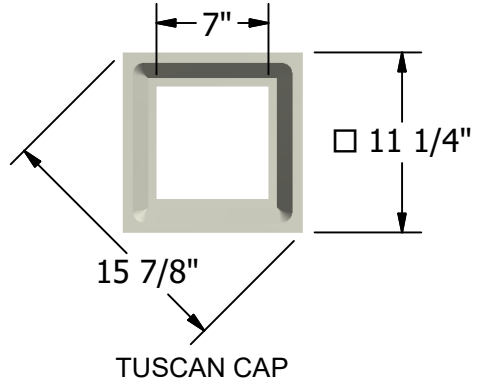
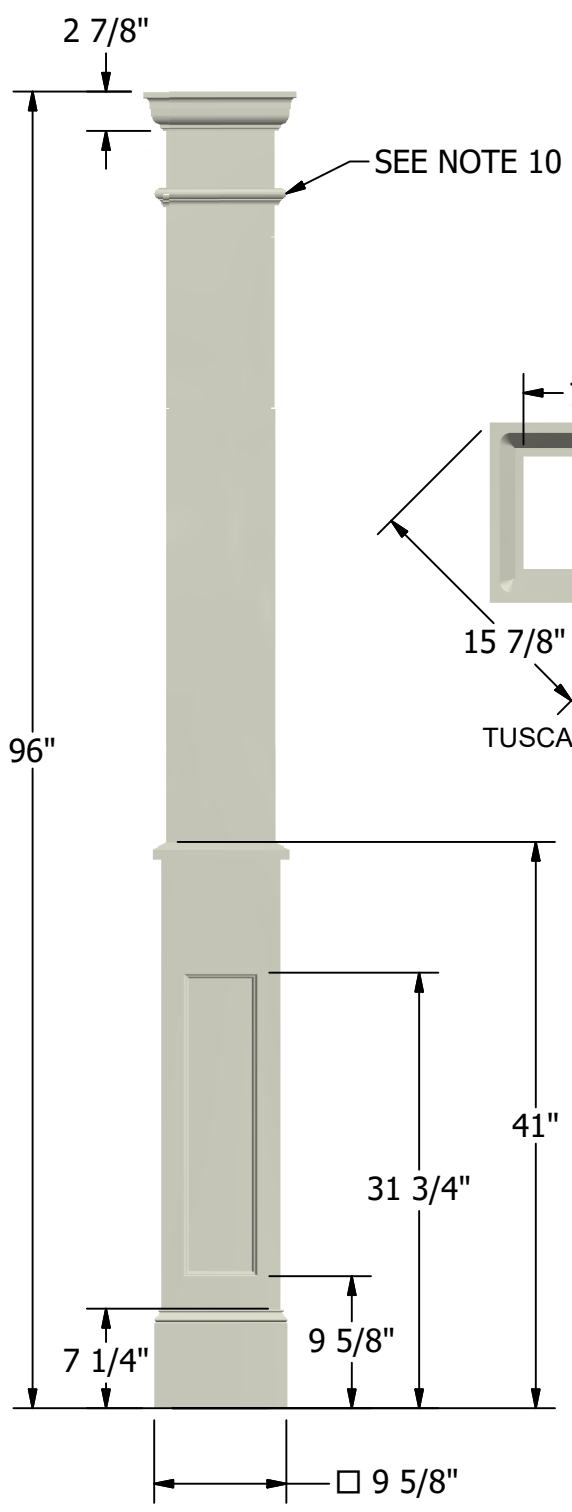


2

1

NOTES:

- 1. MATERIAL: FIBERGLASS REINFORCED POLYMER (FRP)
- 2. WEIGHT: COLUMN: 170 Lbs.
CAP: 5.5 Lbs.
- 3. MATERIAL THICKNESS.
COLUMN: 3/8"
- 4. INSIDE DIAMETER AT TOP OF COLUMN: 7"
- 5. OUTSIDE DIAMETER AT TOP OF COLUMN: 8"
- 6. INSIDE DIAMETER AT BOTTOM OF COLUMN: 7"
- 7. OUTSIDE DIAMETER AT BOTTOM OF COLUMN: 9 5/8"
- 8. MAXIMUM LOAD BEARING WEIGHT: 10000 Lbs.
- 9. THIS POST SHOULD ONLY BE CUT FROM THE TOP
- 10. NECK RING HEIGHT TO BE DETERMINED BY CUSTOMER



NOT TO SCALE

DRAWN Bryan Daniels	4/18/2016
CHECKED	
QA	
MFG	
APPROVED	
DIMENSIONS ARE IN INCHES	
TOLERANCE: ± 1/4"	

FIRST CLASS
BUILDING PRODUCTS, INC.

TITLE
8' Square Recessed Panel
Pedestal Post Assembly

SIZE A	DWG NO SQPP100808	REV 03
-----------	----------------------	-----------

SCALE 1:14 SHEET 1 OF 1

First Class Building Products, Inc.
3600 Dallas Highway Suite 230-387
Marietta, GA 30064
Tel: 770-514-8141
Email: firstclassbp@gmail.com
www.firstclassbp.com

2

1