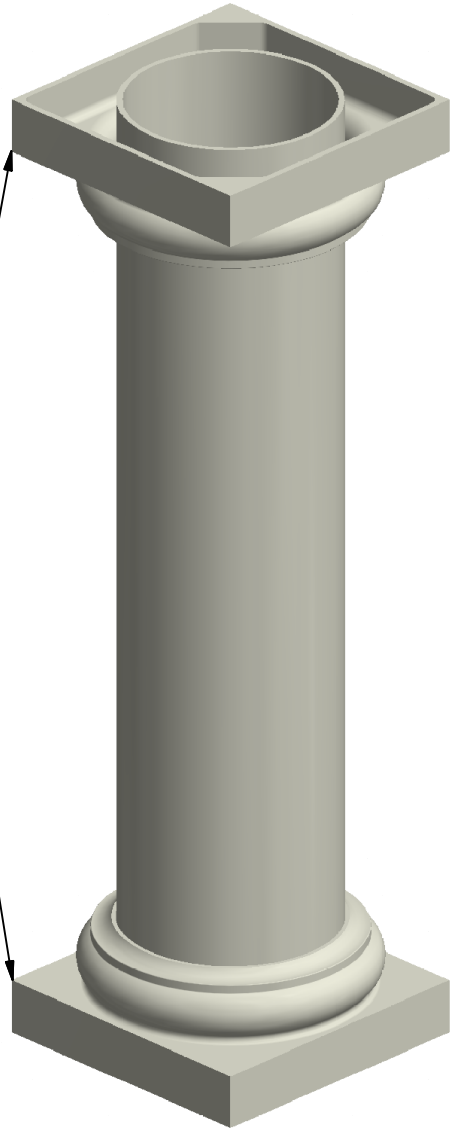
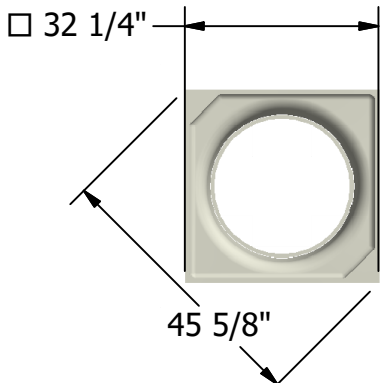
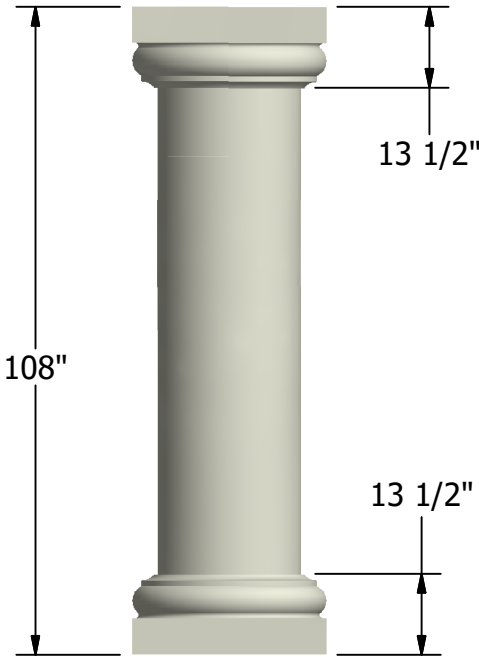
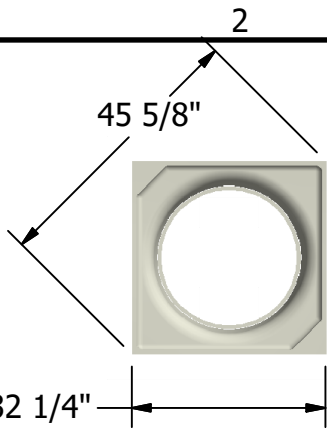


**NOTES:**

1. MATERIAL: FIBERGLASS REINFORCED POLYMER (FRP)
2. WEIGHT: COLUMN: 487 Lbs.  
CAP: 55 Lbs.  
BASE: 110 Lbs.
3. MATERIAL THICKNESS.  
COLUMN: 5/8"
4. INSIDE DIAMETER AT TOP OF COLUMN: 22 5/8"
5. OUTSIDE DIAMETER AT TOP OF COLUMN: 23 7/8"
6. INSIDE DIAMETER AT BOTTOM OF COLUMN: 22 5/8"
7. OUTSIDE DIAMETER AT BOTTOM OF COLUMN: 23 7/8"
8. MAXIMUM LOAD BEARING WEIGHT: 20000 Lbs.
9. TUSCAN BASE IS USED FOR BOTH CAP AND BASE



NOT TO SCALE

First Class Building Productsz -bW  
3600 Dallas Highway Suite 230-387  
Marietta, GA 30064  
Tel: 770-514-8141  
Email: firstclassbp@gmail.com  
www.firstclassbp.com

DRAWN Bryan Daniels	4/21/2016
CHECKED	
QA	
MFG	
APPROVED	
DIMENSIONS ARE IN INCHES	
TOLERANCE: ± 1/4"	

**FIRST CLASS**  
BUILDING PRODUCTS, INC.

TITLE  
Tuscan Round, Smooth, Non-Tapered  
24" x 9'

SIZE A	DWG NO NTSM2409	REV 03
SCALE 1:32	SHEET 1 OF 1	