

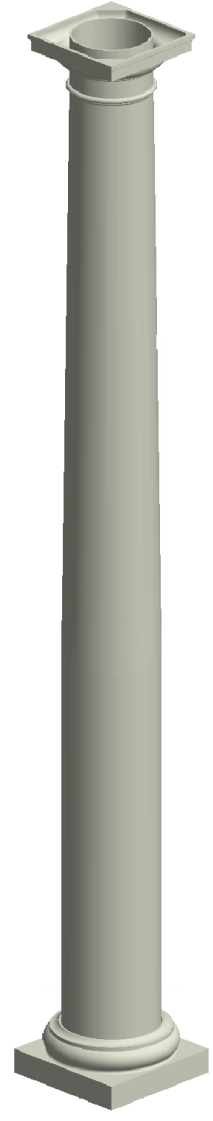
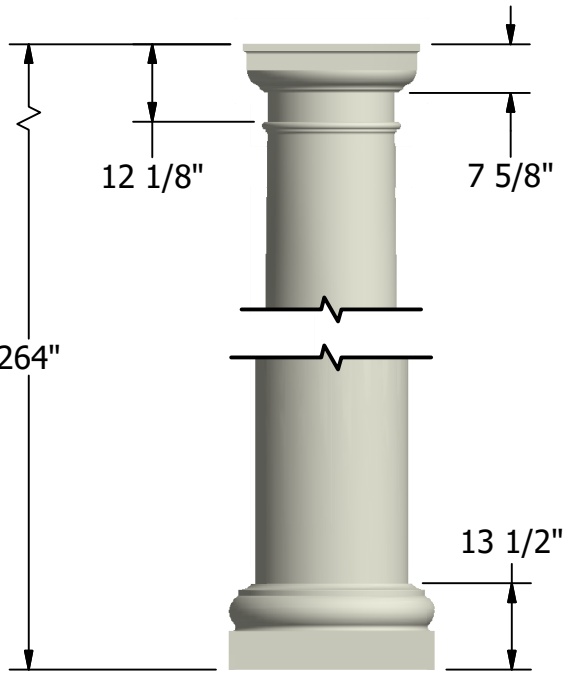
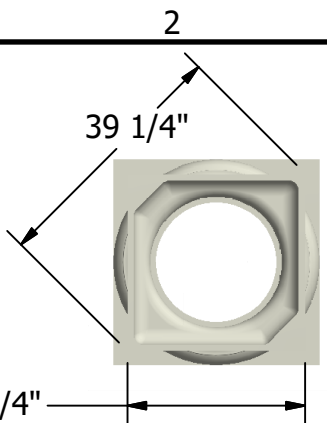
2

1

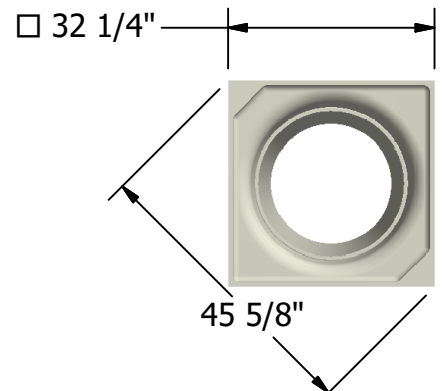


**NOTES:**

- 1. MATERIAL: FIBERGLASS REINFORCED POLYMER (FRP)
- 2. WEIGHT: COLUMN: 1283 Lbs.  
CAP: 55 Lbs.  
BASE: 110 Lbs.
- 3. MATERIAL THICKNESS.  
COLUMN: 5/8"
- 4. INSIDE DIAMETER AT TOP OF COLUMN: 18 3/4"
- 5. OUTSIDE DIAMETER AT TOP OF COLUMN: 19 3/4"
- 6. INSIDE DIAMETER AT BOTTOM OF COLUMN: 22 3/4"
- 7. OUTSIDE DIAMETER AT BOTTOM OF COLUMN: 23 3/4"
- 8. TAPER STARTS FROM BOTTOM OF COLUMN: 106"
- 9. MAXIMUM LOAD BEARING WEIGHT: 20000 Lbs.



NOT TO SCALE



DRAWN Bryan Daniels	5/12/2016
CHECKED	
QA	
DIMENSIONS ARE IN INCHES	
TOLERANCE: ± 1/4"	

**FIRST CLASS**  
BUILDING PRODUCTS, INC.

TITLE Tuscan Round, Smooth 24" x 22'		
SIZE A	DWG NO SM2422	REV 03

First Class Building Products -bW  
3600 Dallas Highway Suite 230-387  
Marietta, GA 30064  
Tel: 770-514-8141  
Email: firstclassbp@gmail.com  
www.firstclassbp.com

SCALE 1:30	SHEET 1 OF 1
---------------	--------------

2

1

