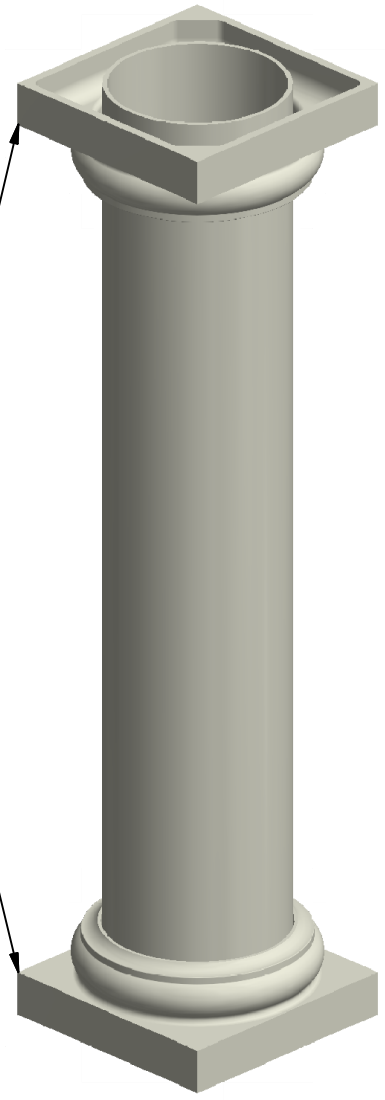
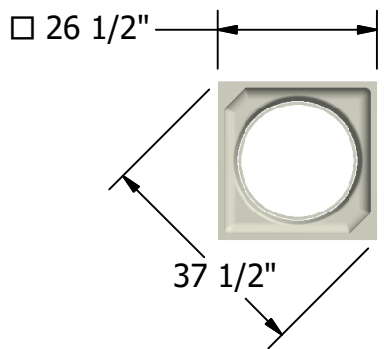
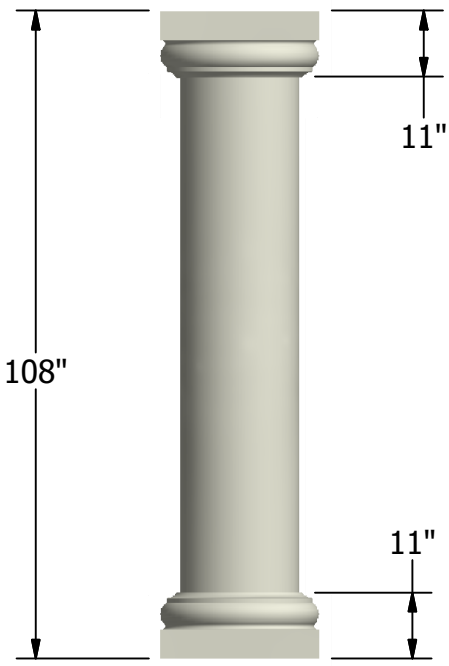
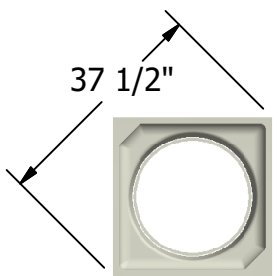


- NOTES:**
1. MATERIAL: FIBERGLASS REINFORCED POLYMER (FRP)
  2. WEIGHT: COLUMN: 378 Lbs.  
CAP: 90 Lbs.  
BASE: 90 Lbs.
  3. MATERIAL THICKNESS.  
COLUMN: 1/2"
  4. INSIDE DIAMETER AT TOP OF COLUMN: 18 7/8"
  5. OUTSIDE DIAMETER AT TOP OF COLUMN: 19 7/8"
  6. INSIDE DIAMETER AT BOTTOM OF COLUMN: 18 7/8"
  7. OUTSIDE DIAMETER AT BOTTOM OF COLUMN: 19 7/8"
  8. MAXIMUM LOAD BEARING WEIGHT: 20000 Lbs.
  9. TUSCAN BASE IS USED FOR BOTH CAP AND BASE



NOT TO SCALE

First Class Building Productsz -bW  
 3600 Dallas Highway Suite 230-387  
 Marietta, GA 30064  
 Tel: 770-514-8141  
 Email: firstclassbp@gmail.com  
 www.firstclassbp.com

DRAWN Bryan Daniels	4/21/2016
CHECKED	
QA	
MFG	
APPROVED	
DIMENSIONS ARE IN INCHES	
TOLERANCE: ± 1/4"	

**FIRST CLASS**  
 BUILDING PRODUCTS, INC.

TITLE  
 Tuscan Round, Smooth, Non-Tapered  
 20" x 9'

SIZE A	DWG NO NTSM2009	REV 03
SCALE 1:32	SHEET 1 OF 1	