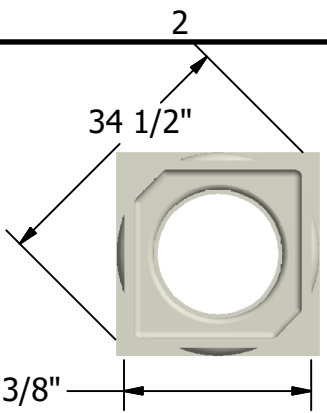


2

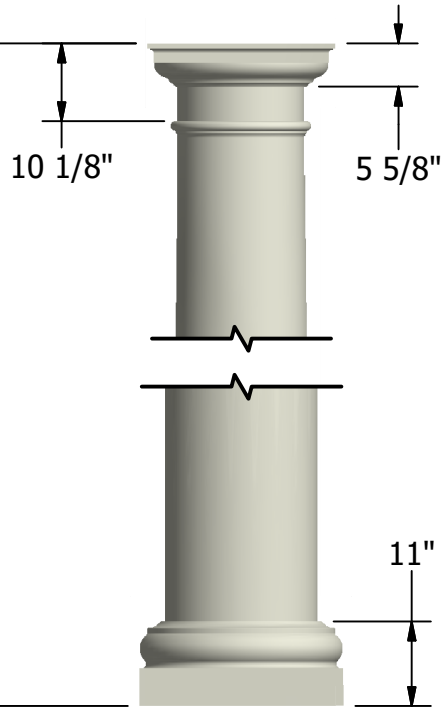
1



- NOTES:**
1. MATERIAL: FIBERGLASS REINFORCED POLYMER (FRP)
 2. WEIGHT: COLUMN: 690 Lbs.
CAP: 45 Lbs.
BASE: 90 Lbs.
 3. MATERIAL THICKNESS.
COLUMN: 1/2"
 4. INSIDE DIAMETER AT TOP OF COLUMN: 15 5/8"
 5. OUTSIDE DIAMETER AT TOP OF COLUMN: 16 3/8"
 6. INSIDE DIAMETER AT BOTTOM OF COLUMN: 18 3/4"
 7. OUTSIDE DIAMETER AT BOTTOM OF COLUMN: 19 3/4"
 8. TAPER STARTS FROM BOTTOM OF COLUMN: 113"
 9. MAXIMUM LOAD BEARING WEIGHT: 20000 Lbs.



□ 24 3/8"

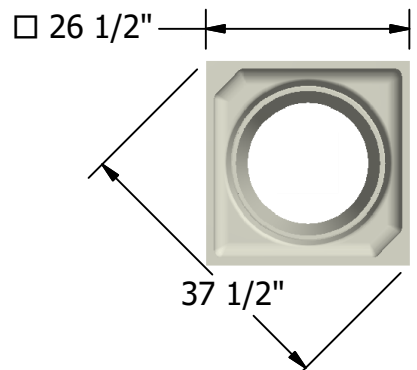


264"

10 1/8"

5 5/8"

11"



□ 26 1/2"

37 1/2"



NOT TO SCALE

DRAWN Bryan Daniels	5/12/2016
CHECKED	
QA	
DIMENSIONS ARE IN INCHES	
TOLERANCE: ± 1/4"	

FIRST CLASS
BUILDING PRODUCTS, INC.

TITLE
Tuscan Round, Smooth
20" x 22'

SIZE A	DWG NO SM2022	REV 03
SCALE 1:25	SHEET 1 OF 1	

First Class Building Products -bW
3600 Dallas Highway Suite 230-387
Marietta, GA 30064
Tel: 770-514-8141
Email: firstclassbp@gmail.com
www.firstclassbp.com

2

1

