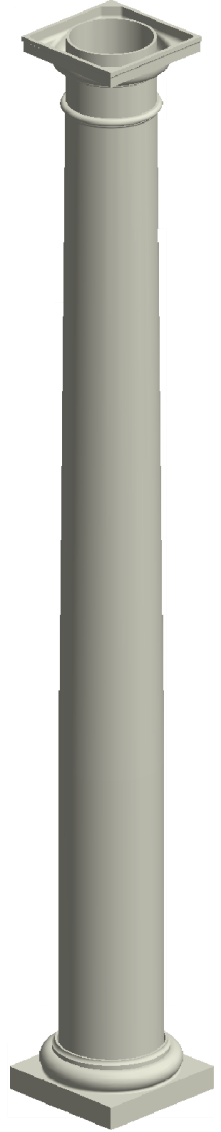
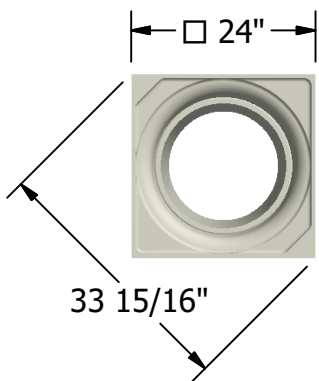
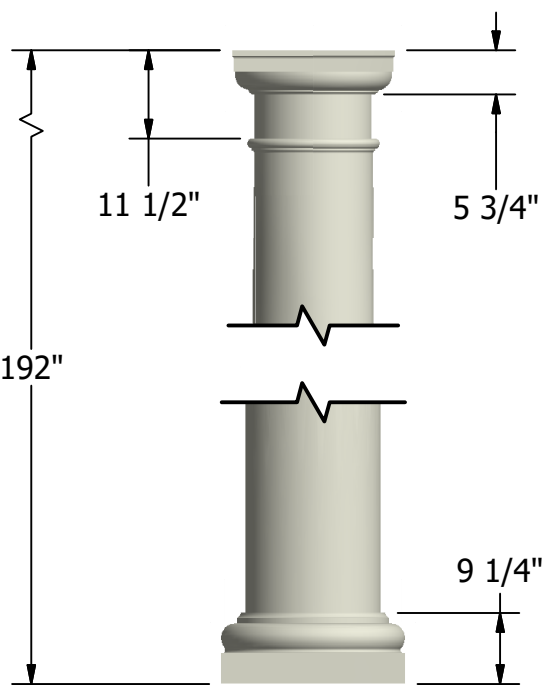
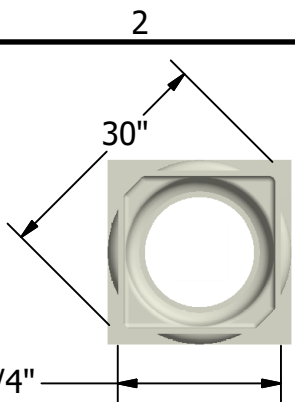


↓

1

- NOTES:**
1. MATERIAL: FIBERGLASS REINFORCED POLYMER (FRP)
 2. WEIGHT: COLUMN: 440 Lbs.
CAP: 21 Lbs.
BASE: 47 Lbs.
 3. MATERIAL THICKNESS.
COLUMN: 1/2"
 4. INSIDE DIAMETER AT TOP OF COLUMN: 14 1/4"
 5. OUTSIDE DIAMETER AT TOP OF COLUMN: 15 1/4"
 6. INSIDE DIAMETER AT BOTTOM OF COLUMN: 16 3/8"
 7. OUTSIDE DIAMETER AT BOTTOM OF COLUMN: 17 5/8"
 8. TAPER STARTS FROM BOTTOM OF COLUMN: 60"
 9. MAXIMUM LOAD BEARING WEIGHT: 20000 Lbs.



NOT TO SCALE

DRAWN Bryan Daniels	5/12/2016
CHECKED	
QA	
DIMENSIONS ARE IN INCHES	
TOLERANCE: ± 1/4"	

FIRST CLASS
BUILDING PRODUCTS, INC.

TITLE Tuscan Round, Smooth 18" x 16'	
SIZE A	DWG NO SM1816
SCALE 1:25	REV 03

First Class Building Products -bW
3600 Dallas Highway Suite 230-387
Marietta, GA 30064
Tel: 770-514-8141
Email: firstclassbp@gmail.com
www.firstclassbp.com

2

↑

1

SHEET 1 OF 1