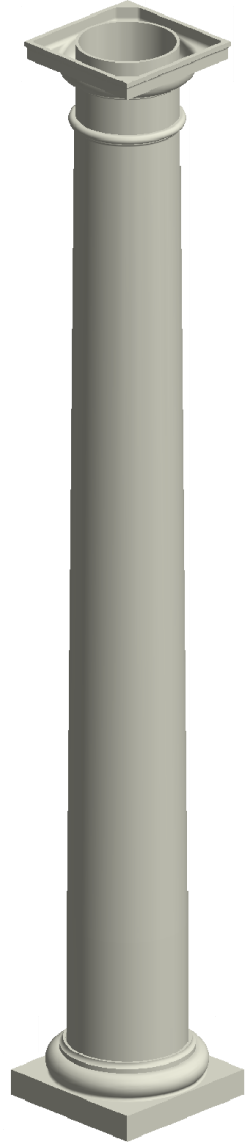
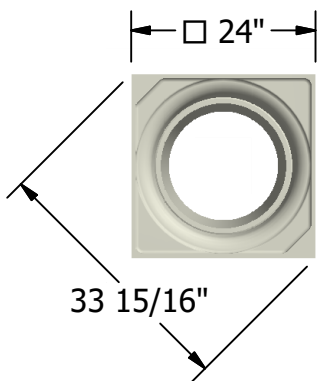
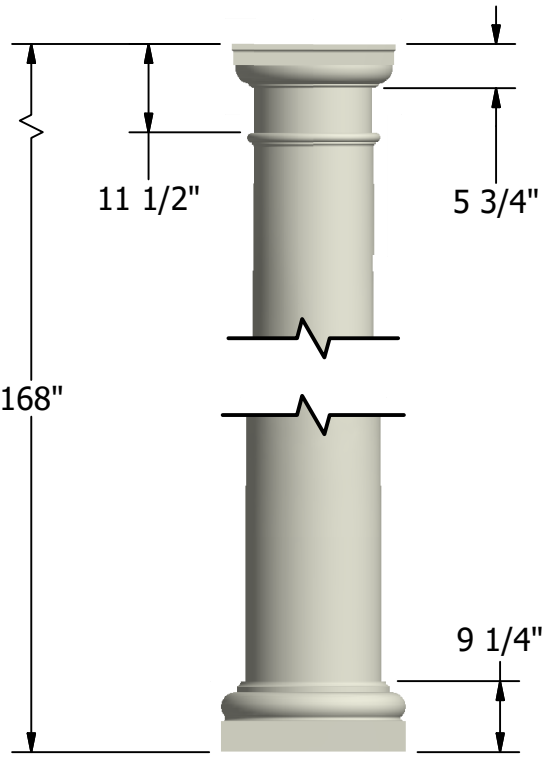
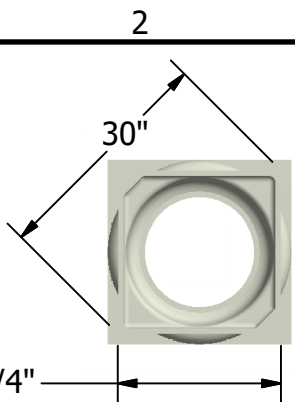


↓

1

**NOTES:**

- 1. MATERIAL: FIBERGLASS REINFORCED POLYMER (FRP)
- 2. WEIGHT: COLUMN: 388 Lbs.  
CAP: 21 Lbs.  
BASE: 47 Lbs.
- 3. MATERIAL THICKNESS.  
COLUMN: 1/2"
- 4. INSIDE DIAMETER AT TOP OF COLUMN: 14 1/4"
- 5. OUTSIDE DIAMETER AT TOP OF COLUMN: 15 1/4"
- 6. INSIDE DIAMETER AT BOTTOM OF COLUMN: 16 3/8"
- 7. OUTSIDE DIAMETER AT BOTTOM OF COLUMN: 17 5/8"
- 8. TAPER STARTS FROM BOTTOM OF COLUMN: 28"
- 9. MAXIMUM LOAD BEARING WEIGHT: 20000 Lbs.



NOT TO SCALE

DRAWN Bryan Daniels	5/12/2016
CHECKED	
QA	
DIMENSIONS ARE IN INCHES	
TOLERANCE: ± 1/4"	

**FIRST CLASS**  
BUILDING PRODUCTS, INC.

TITLE  
Tuscan Round, Smooth  
18" x 14'

SIZE A	DWG NO SM1814	REV 03
SCALE 1:25	SHEET 1 OF 1	

First Class Building Products -bW  
3600 Dallas Highway Suite 230-387  
Marietta, GA 30064  
Tel: 770-514-8141  
Email: firstclassbp@gmail.com  
www.firstclassbp.com

2

↑

1

B

B

A

A