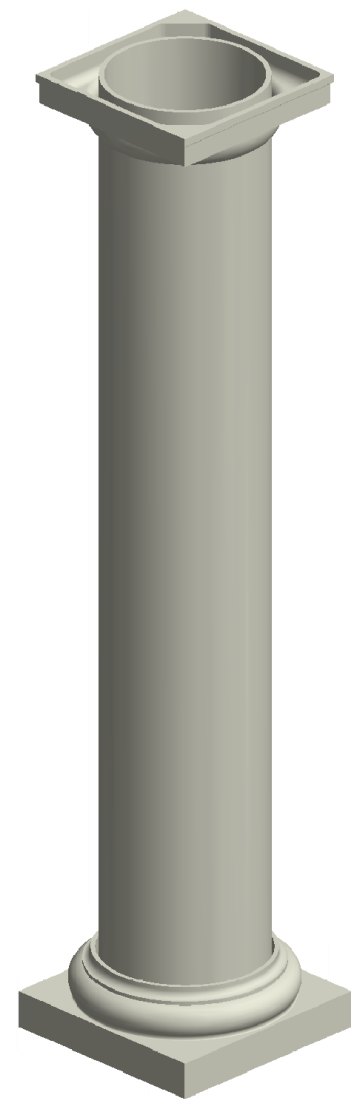
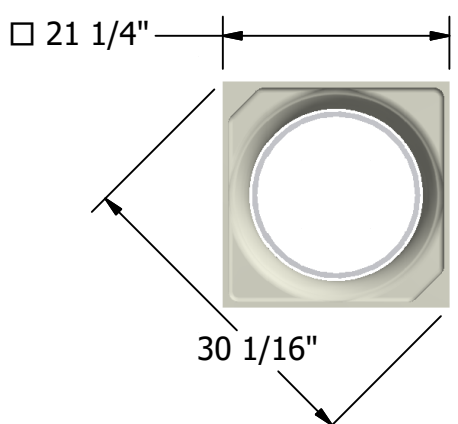
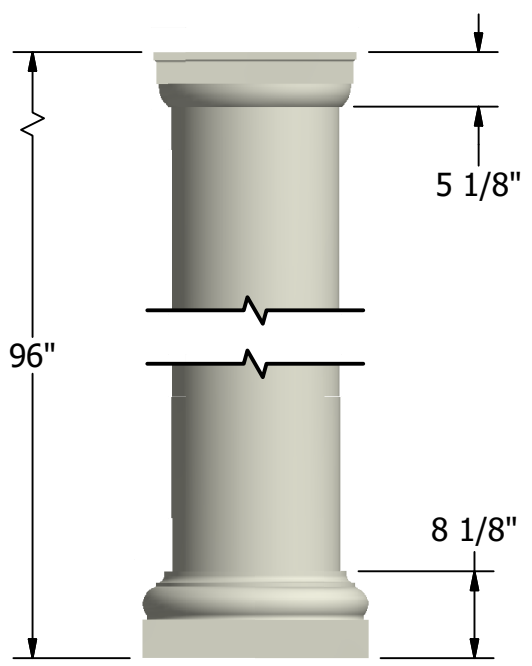
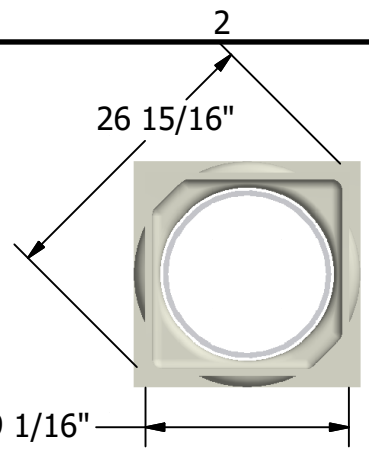


↓

1

- NOTES:**
1. MATERIAL: FIBERGLASS REINFORCED POLYMER (FRP)
 2. WEIGHT: COLUMN: 220 Lbs.
CAP: 15 Lbs.
BASE: 36 Lbs.
 3. MATERIAL THICKNESS.
COLUMN: 1/2"
 4. INSIDE DIAMETER AT TOP OF COLUMN: 14 3/4"
 5. OUTSIDE DIAMETER AT TOP OF COLUMN: 15 3/4"
 6. INSIDE DIAMETER AT BOTTOM OF COLUMN: 14 3/4"
 7. OUTSIDE DIAMETER AT BOTTOM OF COLUMN: 15 3/4"
 8. MAXIMUM LOAD BEARING WEIGHT: 20000 Lbs.



NOT TO SCALE

First Class Building Productsz-bw
3600 Dallas Highway Suite 230-387
Marietta, GA 30064
Tel: 770-514-8141
Email: firstclassbp@gmail.com
www.firstclassbp.com

DRAWN Bryan Daniels	4/21/2016
CHECKED	
QA	
MFG	
APPROVED	
DIMENSIONS ARE IN INCHES	
TOLERANCE: ± 1/4"	

TITLE Tuscan Round, Smooth, Non-Tapered 16" x 8'			
SIZE A	DWG NO NTSM1608	REV 03	
SCALE 1:18	SHEET 1 OF 1		

2

↑

1