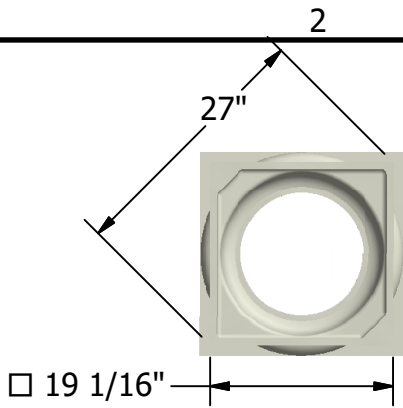
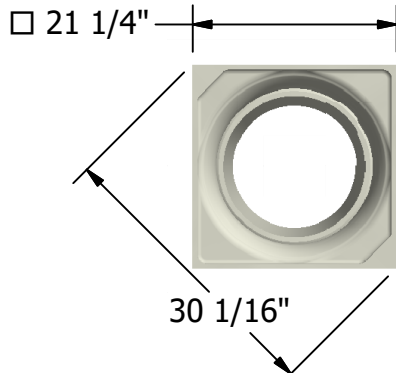
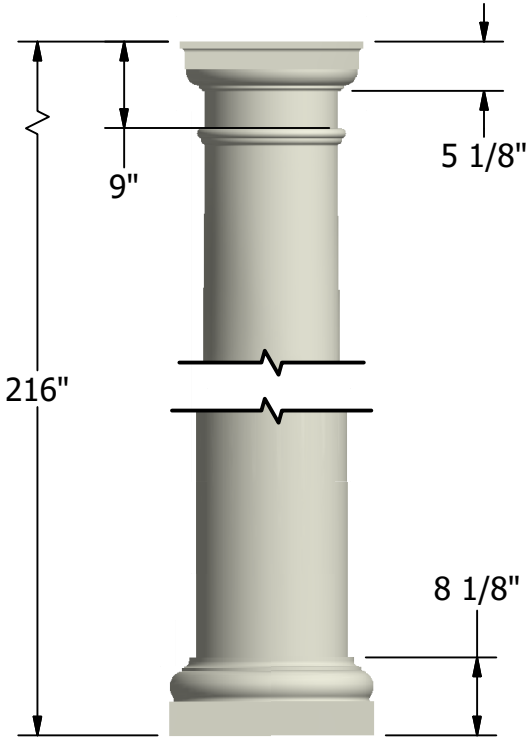


NOTES:

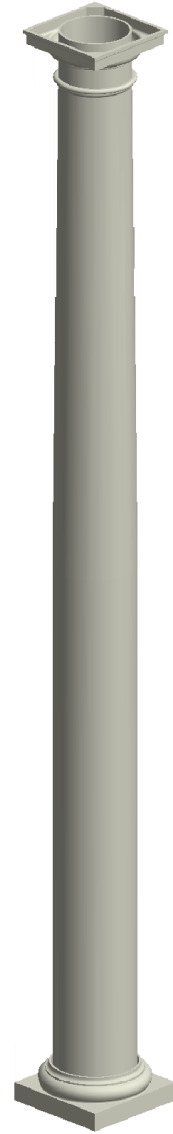
1. MATERIAL: FIBERGLASS REINFORCED POLYMER (FRP)
2. WEIGHT: COLUMN: 480 Lbs.
CAP: 16 Lbs.
BASE: 36 Lbs.
3. MATERIAL THICKNESS.
COLUMN: 1/2"
4. INSIDE DIAMETER AT TOP OF COLUMN: 12 3/4"
5. OUTSIDE DIAMETER AT TOP OF COLUMN: 13 3/4"
6. INSIDE DIAMETER AT BOTTOM OF COLUMN: 14 3/4"
7. OUTSIDE DIAMETER AT BOTTOM OF COLUMN: 15 3/4"
8. TAPER STARTS FROM BOTTOM OF COLUMN: 108"
9. MAXIMUM LOAD BEARING WEIGHT: 20000 Lbs.



B



A



NOT TO SCALE

B

A

First Class Building Products -bW
3600 Dallas Highway Suite 230-387
Marietta, GA 30064
Tel: 770-514-8141
Email: firstclassbp@gmail.com
www.firstclassbp.com

DRAWN Bryan Daniels	5/11/2016
CHECKED	
QA	
MFG	
APPROVED	
DIMENSIONS ARE IN INCHES	
TOLERANCE: ± 1/4"	

FIRST CLASS
BUILDING PRODUCTS, INC.

TITLE
Tuscan Round, Smooth
16" x 18'

SIZE A	DWG NO SM1618	REV 03
SCALE 1:20	SHEET 1 OF 1	

2



1