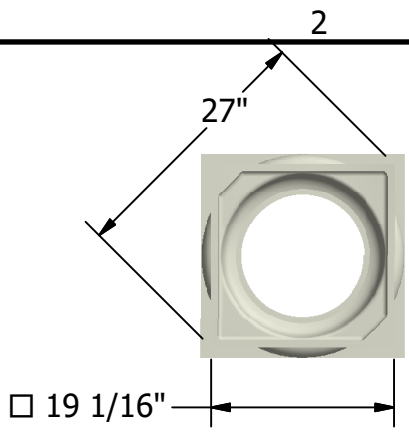


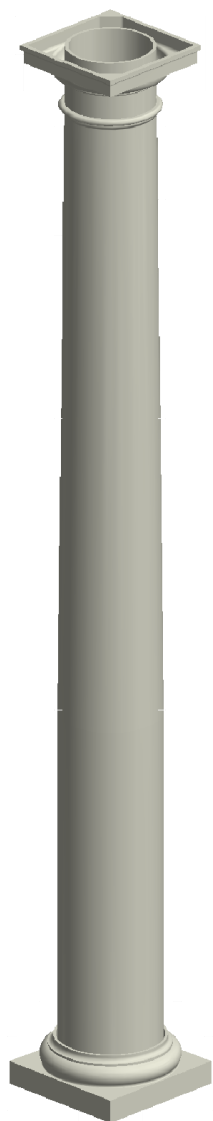
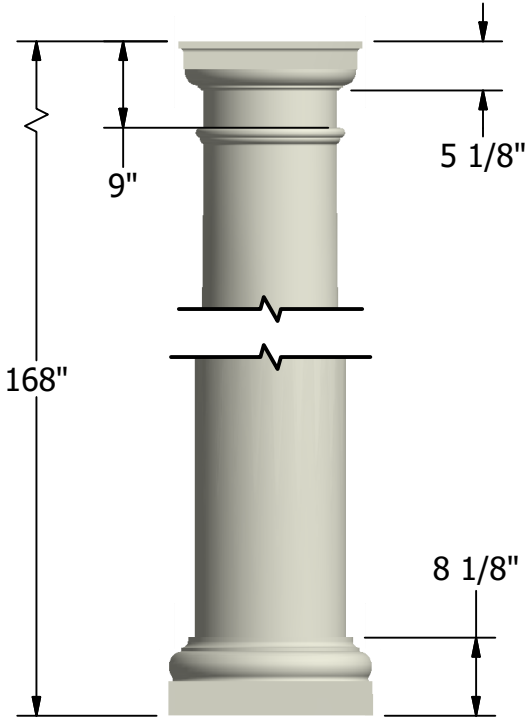
↓

1

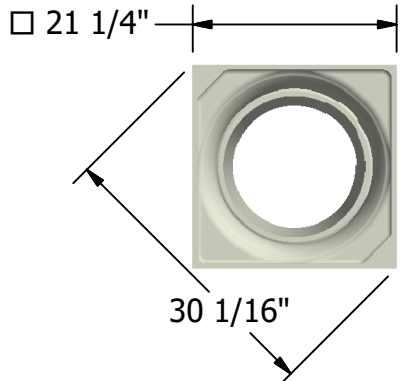
- NOTES:**
1. MATERIAL: FIBERGLASS REINFORCED POLYMER (FRP)
 2. WEIGHT: COLUMN: 400 Lbs.
CAP: 16 Lbs.
BASE: 36 Lbs.
 3. MATERIAL THICKNESS.
COLUMN: 1/2"
 4. INSIDE DIAMETER AT TOP OF COLUMN: 12 3/4"
 5. OUTSIDE DIAMETER AT TOP OF COLUMN: 13 3/4"
 6. INSIDE DIAMETER AT BOTTOM OF COLUMN: 14 3/4"
 7. OUTSIDE DIAMETER AT BOTTOM OF COLUMN: 15 3/4"
 8. TAPER STARTS FROM BOTTOM OF COLUMN: 60"
 9. MAXIMUM LOAD BEARING WEIGHT: 20000 Lbs.



B



B



A

A

NOT TO SCALE

First Class Building Products -bW
 3600 Dallas Highway Suite 230-387
 Marietta, GA 30064
 Tel: 770-514-8141
 Email: firstclassbp@gmail.com
 www.firstclassbp.com

DRAWN Bryan Daniels	5/11/2016
CHECKED	
QA	
MFG	
APPROVED	
DIMENSIONS ARE IN INCHES	
TOLERANCE: ± 1/4"	

TITLE Tuscan Round, Smooth 16" x 14'			
SIZE A	DWG NO SM1614	REV 03	
SCALE 1:20	SHEET 1 OF 1		

2

↑

1