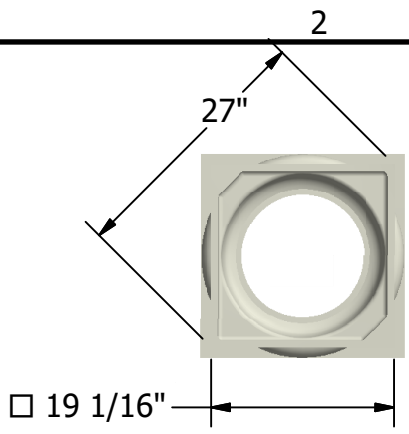


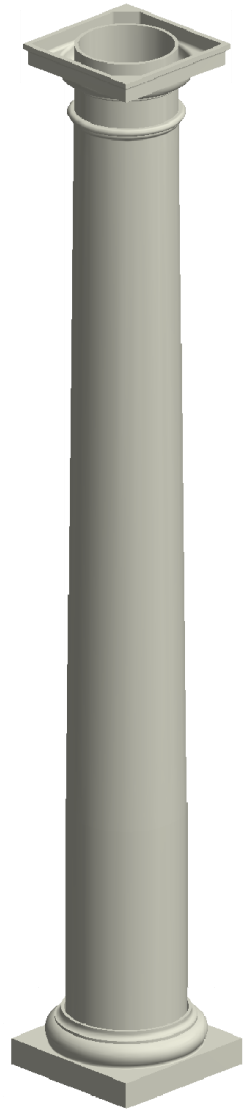
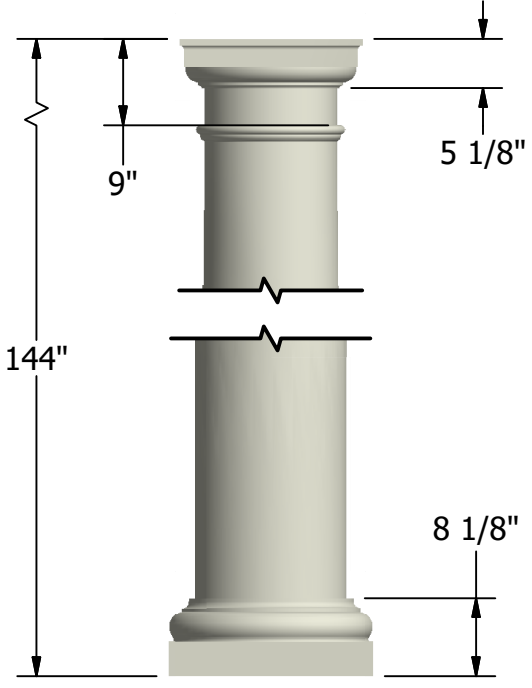


1

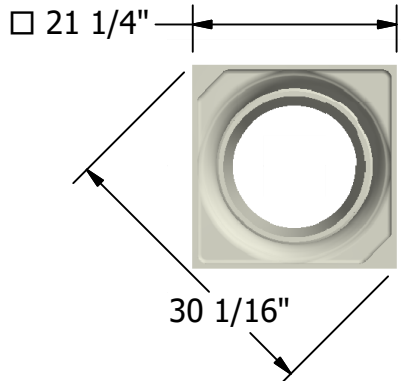
- NOTES:**
1. MATERIAL: FIBERGLASS REINFORCED POLYMER (FRP)
  2. WEIGHT: COLUMN: 324 Lbs.  
CAP: 16 Lbs.  
BASE: 36 Lbs.
  3. MATERIAL THICKNESS.  
COLUMN: 1/2"
  4. INSIDE DIAMETER AT TOP OF COLUMN: 12 3/4"
  5. OUTSIDE DIAMETER AT TOP OF COLUMN: 13 3/4"
  6. INSIDE DIAMETER AT BOTTOM OF COLUMN: 14 3/4"
  7. OUTSIDE DIAMETER AT BOTTOM OF COLUMN: 15 3/4"
  8. TAPER STARTS FROM BOTTOM OF COLUMN: 36"
  9. MAXIMUM LOAD BEARING WEIGHT: 20000 Lbs.



B



B



A

A

First Class Building Products -bW  
 3600 Dallas Highway Suite 230-387  
 Marietta, GA 30064  
 Tel: 770-514-8141  
 Email: firstclassbp@gmail.com  
 www.firstclassbp.com

DRAWN Bryan Daniels	5/11/2016
CHECKED	
QA	
MFG	
APPROVED	
DIMENSIONS ARE IN INCHES	
TOLERANCE: ± 1/4"	

**FIRST CLASS**  
 BUILDING PRODUCTS, INC.

TITLE Tuscan Round, Smooth 16" x 12'	
SIZE A	DWG NO SM1612
SCALE 1:20	REV 03

SHEET 1 OF 1

2



1