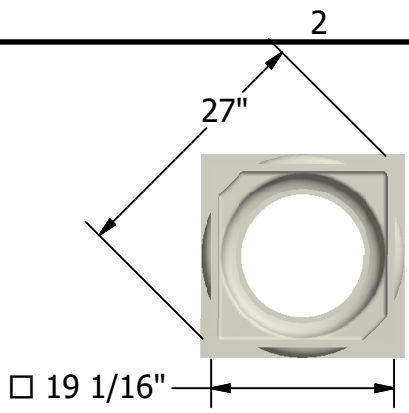


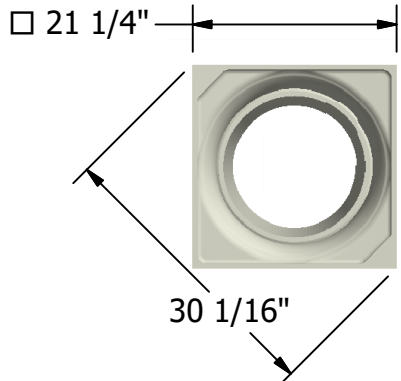
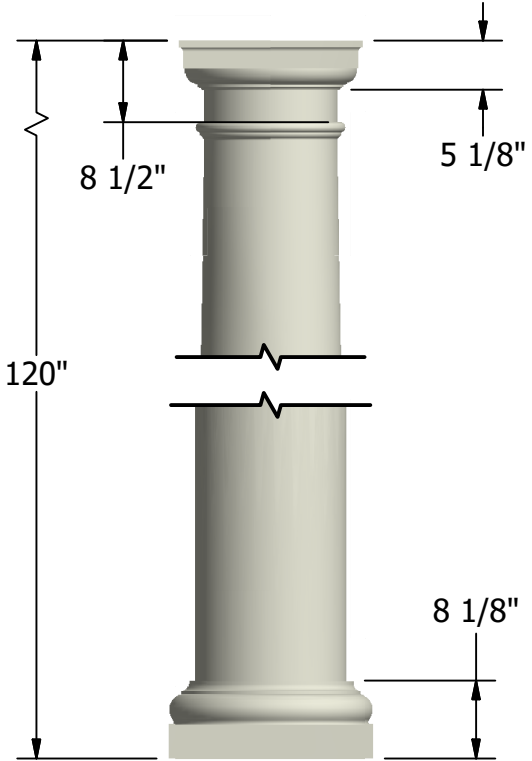
↓

1

- NOTES:**
1. MATERIAL: FIBERGLASS REINFORCED POLYMER (FRP)
  2. WEIGHT: COLUMN: 236 Lbs.  
CAP: 16 Lbs.  
BASE: 36 Lbs.
  3. MATERIAL THICKNESS.  
COLUMN: 1/2"
  4. INSIDE DIAMETER AT TOP OF COLUMN: 12 3/4"
  5. OUTSIDE DIAMETER AT TOP OF COLUMN: 13 3/4"
  6. INSIDE DIAMETER AT BOTTOM OF COLUMN: 14 3/4"
  7. OUTSIDE DIAMETER AT BOTTOM OF COLUMN: 15 3/4"
  8. TAPER STARTS FROM BOTTOM OF COLUMN: 55"
  9. MAXIMUM LOAD BEARING WEIGHT: 20000 Lbs.



B



A



NOT TO SCALE

B

A

First Class Building Products -bW  
3600 Dallas Highway Suite 230-387  
Marietta, GA 30064  
Tel: 770-514-8141  
Email: firstclassbp@gmail.com  
www.firstclassbp.com

DRAWN Bryan Daniels	5/11/2016
CHECKED	
QA	
MFG	
APPROVED	
DIMENSIONS ARE IN INCHES	
TOLERANCE: ± 1/4"	

**FIRST CLASS**  
BUILDING PRODUCTS, INC.

TITLE Tuscan Round, Smooth 16" x 10'			
SIZE A	DWG NO SM1610	REV 03	

SCALE 1:20	SHEET 1 OF 1	
---------------	--------------	--

2

↑

1