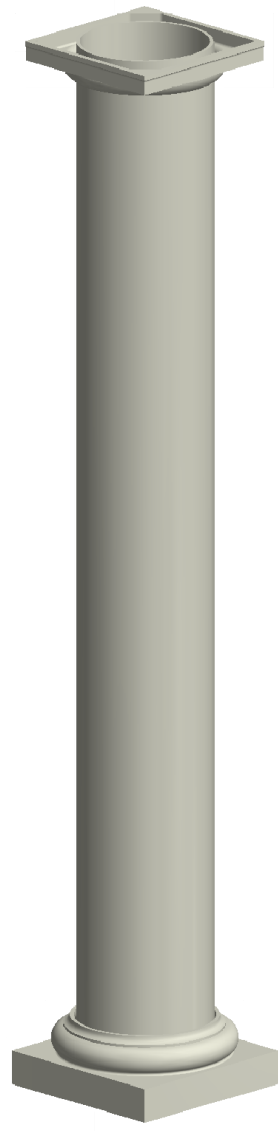
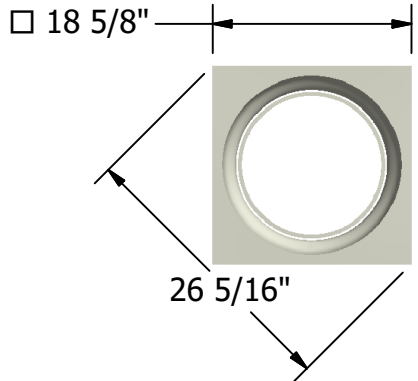
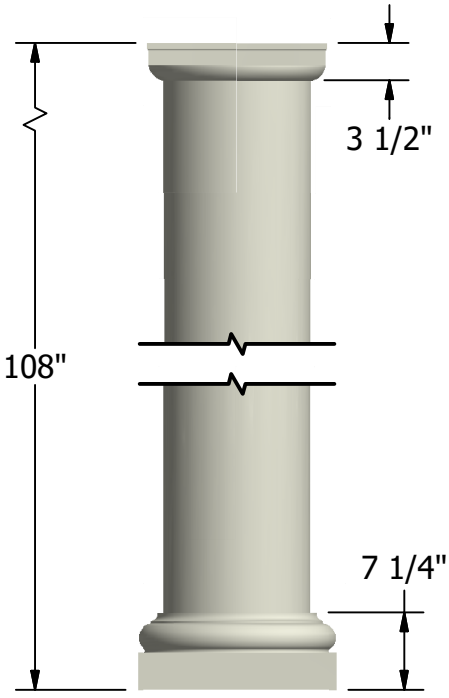
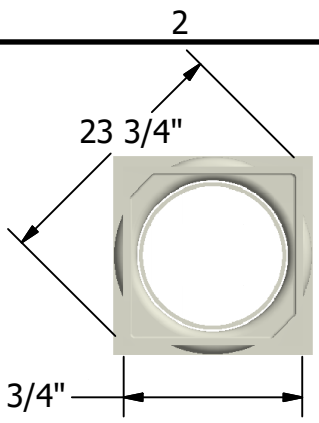


↓

1

- NOTES:**
1. MATERIAL: FIBERGLASS REINFORCED POLYMER (FRP)
 2. WEIGHT: COLUMN: 180 Lbs.
CAP: 9 Lbs.
BASE: 24 Lbs.
 3. MATERIAL THICKNESS.
COLUMN: 3/8"
 4. INSIDE DIAMETER AT TOP OF COLUMN: 13"
 5. OUTSIDE DIAMETER AT TOP OF COLUMN: 13 3/4"
 6. INSIDE DIAMETER AT BOTTOM OF COLUMN: 13"
 7. OUTSIDE DIAMETER AT BOTTOM OF COLUMN: 13 3/4"
 8. MAXIMUM LOAD BEARING WEIGHT: 20000 Lbs.



NOT TO SCALE

First Class Building Productsz -bW
 3600 Dallas Highway Suite 230-387
 Marietta, GA 30064
 Tel: 770-514-8141
 Email: firstclassbp@gmail.com
 www.firstclassbp.com

DRAWN Bryan Daniels	5/13/2016
CHECKED	
QA	
DIMENSIONS ARE IN INCHES	
TOLERANCE: ± 1/4"	

TITLE Tuscan Round, Non-Tapered 14" x 9'			
SIZE A	DWG NO NTSM1409	REV 03	
SCALE 1:18	SHEET 1 OF 1		

2

↑

1