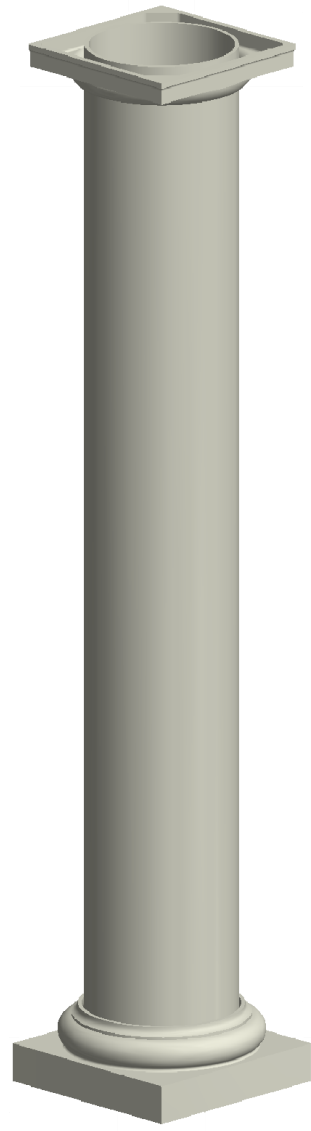
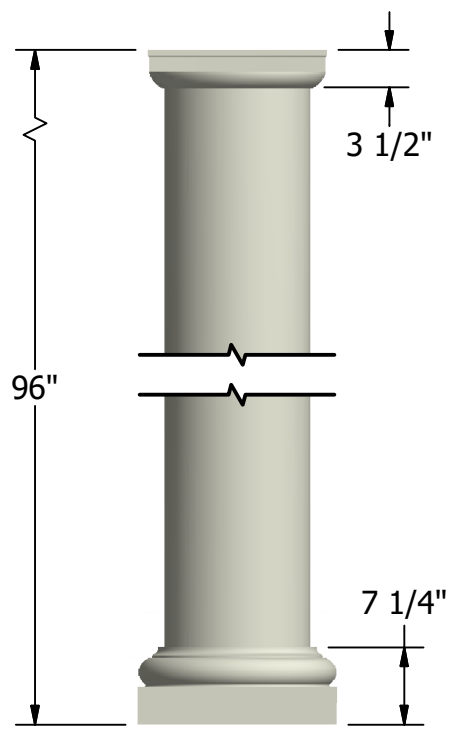
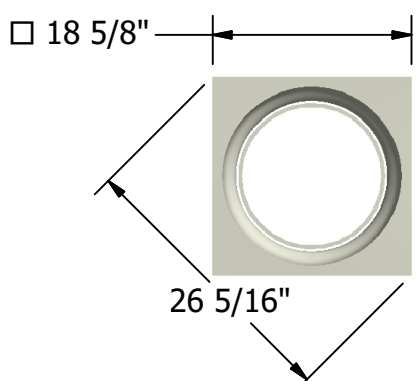


NOTES:

- 1. MATERIAL: FIBERGLASS REINFORCED POLYMER (FRP)
- 2. WEIGHT: COLUMN: 120 Lbs.
CAP: 9 Lbs.
BASE: 24 Lbs.
- 3. MATERIAL THICKNESS.
COLUMN: 3/8"
- 4. INSIDE DIAMETER AT TOP OF COLUMN: 13"
- 5. OUTSIDE DIAMETER AT TOP OF COLUMN: 13 3/4"
- 6. INSIDE DIAMETER AT BOTTOM OF COLUMN: 13"
- 7. OUTSIDE DIAMETER AT BOTTOM OF COLUMN: 13 3/4"
- 8. MAXIMUM LOAD BEARING WEIGHT: 20000 Lbs.



NOT TO SCALE



First Class Building Products -bW
 3600 Dallas Highway Suite 230-387
 Marietta, GA 30064
 Tel: 770-514-8141
 Email: firstclassbp@gmail.com
 www.firstclassbp.com

DRAWN Bryan Daniels	5/13/2016
CHECKED	
QA	
DIMENSIONS ARE IN INCHES	
TOLERANCE: ± 1/4"	

TITLE Tuscan Round, Non-Tapered 14" x 8'		
SIZE A	DWG NO NTSM1408	REV 03
SCALE 1:18	SHEET 1 OF 1	

2



1