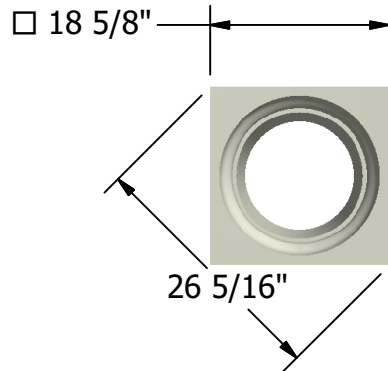
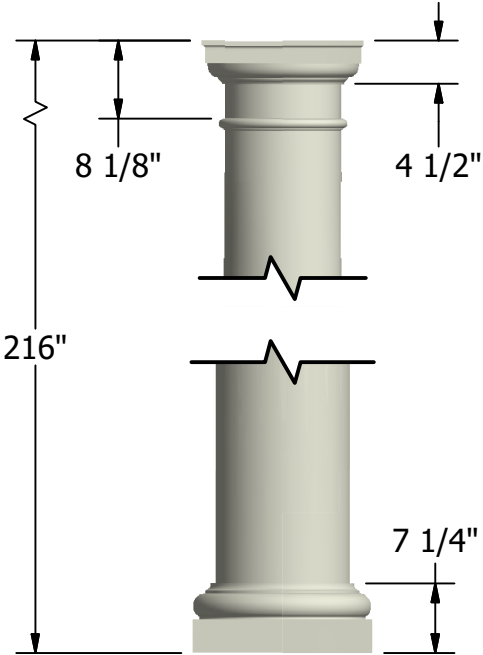
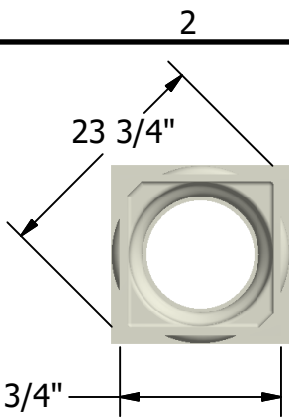


**NOTES:**

1. MATERIAL: FIBERGLASS REINFORCED POLYMER (FRP)
2. WEIGHT: COLUMN: 320 Lbs.  
CAP: 12 Lbs.  
BASE: 24 Lbs.
3. MATERIAL THICKNESS.  
COLUMN: 3/8"
4. INSIDE DIAMETER AT TOP OF COLUMN: 11 1/4"
5. OUTSIDE DIAMETER AT TOP OF COLUMN: 12"
6. INSIDE DIAMETER AT BOTTOM OF COLUMN: 13 1/4"
7. OUTSIDE DIAMETER AT BOTTOM OF COLUMN: 14"
8. TAPER STARTS FROM BOTTOM OF COLUMN: 98"
9. MAXIMUM LOAD BEARING WEIGHT: 20000 Lbs.



NOT TO SCALE

First Class Building Products -bW  
3600 Dallas Highway Suite 230-387  
Marietta, GA 30064  
Tel: 770-514-8141  
Email: firstclassbp@gmail.com  
www.firstclassbp.com

DRAWN Bryan Daniels	5/11/2016
CHECKED	
QA	
DIMENSIONS ARE IN INCHES	
TOLERANCE: ± 1/4"	

**FIRST CLASS**  
BUILDING PRODUCTS, INC.

TITLE Tuscan Round, Smooth 14" x 18'			
SIZE A	DWG NO SM1418	REV 03	
SCALE 1:20	SHEET 1 OF 1		