

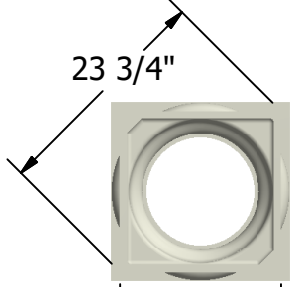
2

1

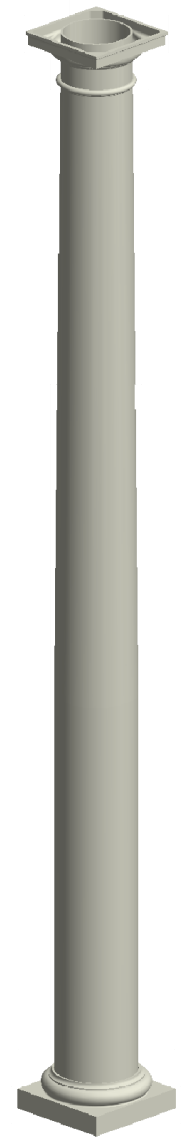
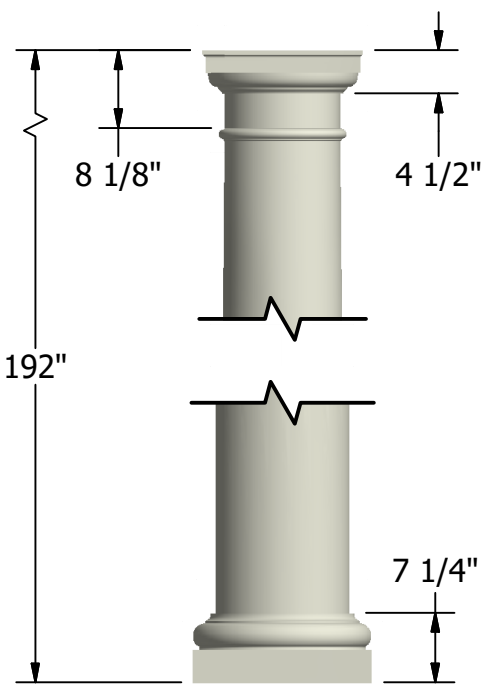


NOTES:

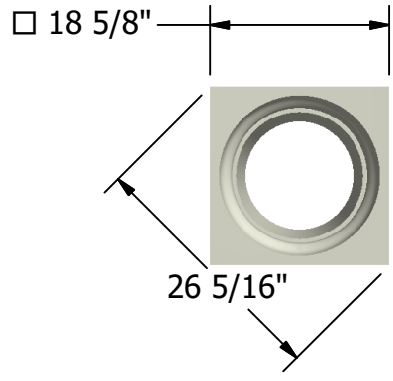
- 1. MATERIAL: FIBERGLASS REINFORCED POLYMER (FRP)
- 2. WEIGHT: COLUMN: 300 Lbs.
CAP: 12 Lbs.
BASE: 24 Lbs.
- 3. MATERIAL THICKNESS.
COLUMN: 3/8"
- 4. INSIDE DIAMETER AT TOP OF COLUMN: 11 1/4"
- 5. OUTSIDE DIAMETER AT TOP OF COLUMN: 12"
- 6. INSIDE DIAMETER AT BOTTOM OF COLUMN: 13 1/4"
- 7. OUTSIDE DIAMETER AT BOTTOM OF COLUMN: 14"
- 8. TAPER STARTS FROM BOTTOM OF COLUMN: 74"
- 9. MAXIMUM LOAD BEARING WEIGHT: 20000 Lbs.



□ 16 3/4"



NOT TO SCALE



DRAWN Bryan Daniels	5/11/2016
CHECKED	
QA	
DIMENSIONS ARE IN INCHES	
TOLERANCE: ± 1/4"	

FIRST CLASS
BUILDING PRODUCTS, INC.

TITLE Tuscan Round, Smooth 14" x 16'		
SIZE A	DWG NO SM1416	REV 03

First Class Building Products -bW
 3600 Dallas Highway Suite 230-387
 Marietta, GA 30064
 Tel: 770-514-8141
 Email: firstclassbp@gmail.com
 www.firstclassbp.com

SCALE 1:20	SHEET 1 OF 1
---------------	--------------

2

1

