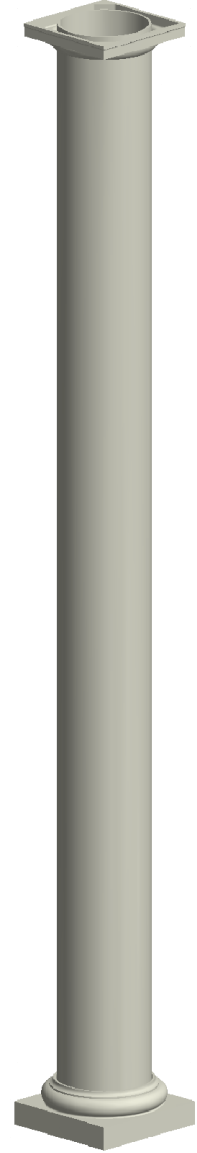
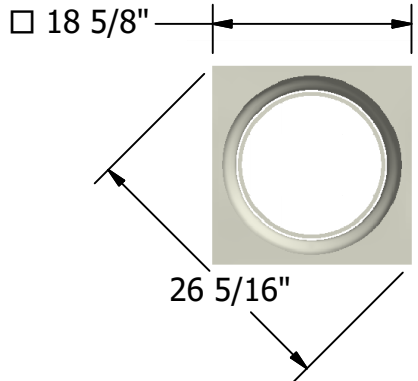
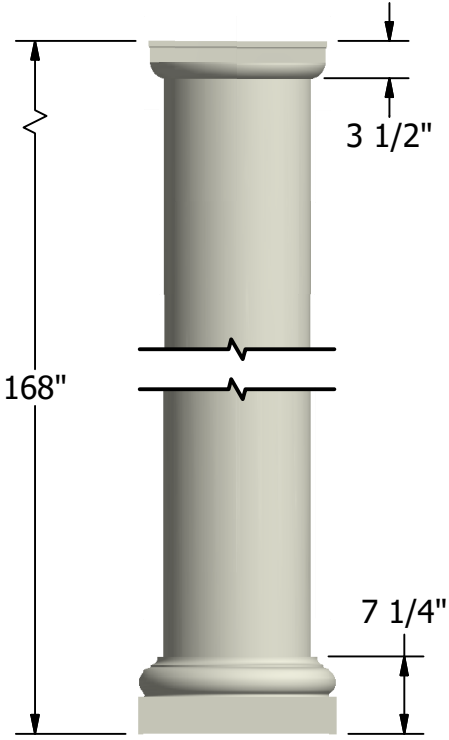
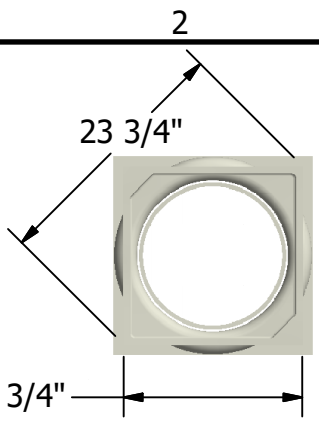




1

- NOTES:**
1. MATERIAL: FIBERGLASS REINFORCED POLYMER (FRP)
 2. WEIGHT: COLUMN: 280 Lbs.
CAP: 9 Lbs.
BASE: 24 Lbs.
 3. MATERIAL THICKNESS.
COLUMN: 3/8"
 4. INSIDE DIAMETER AT TOP OF COLUMN: 13"
 5. OUTSIDE DIAMETER AT TOP OF COLUMN: 13 3/4"
 6. INSIDE DIAMETER AT BOTTOM OF COLUMN: 13"
 7. OUTSIDE DIAMETER AT BOTTOM OF COLUMN: 13 3/4"
 8. MAXIMUM LOAD BEARING WEIGHT: 20000 Lbs.



NOT TO SCALE

B

B

A

A

DRAWN Bryan Daniels	5/13/2016
CHECKED	
QA	
DIMENSIONS ARE IN INCHES	
TOLERANCE: ± 1/4"	

FIRST CLASS
BUILDING PRODUCTS, INC.

TITLE
Tuscan Round, Non-Tapered
14" x 14'

SIZE A	DWG NO NTSM1414	REV 03
SCALE 1:18	SHEET 1 OF 1	

First Class Building Productsz-bW
3600 Dallas Highway Suite 230-387
Marietta, GA 30064
Tel: 770-514-8141
Email: firstclassbp@gmail.com
www.firstclassbp.com

2



1