

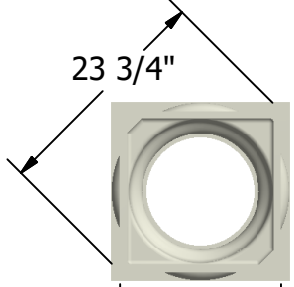
2

1

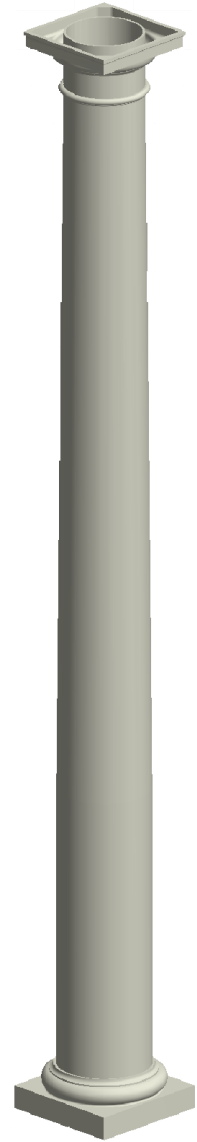
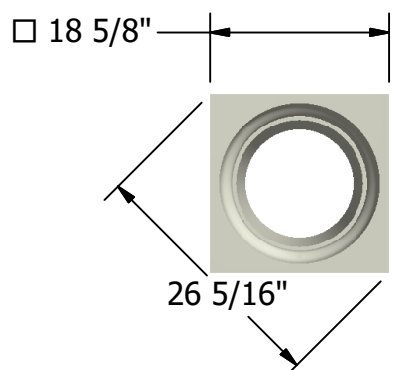
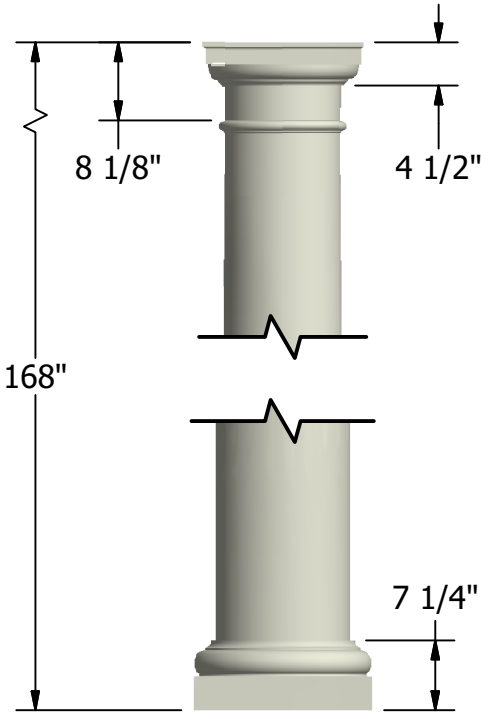


NOTES:

- 1. MATERIAL: FIBERGLASS REINFORCED POLYMER (FRP)
- 2. WEIGHT: COLUMN: 280 Lbs.
CAP: 12 Lbs.
BASE: 24 Lbs.
- 3. MATERIAL THICKNESS.
COLUMN: 3/8"
- 4. INSIDE DIAMETER AT TOP OF COLUMN: 11 1/4"
- 5. OUTSIDE DIAMETER AT TOP OF COLUMN: 12"
- 6. INSIDE DIAMETER AT BOTTOM OF COLUMN: 13 1/4"
- 7. OUTSIDE DIAMETER AT BOTTOM OF COLUMN: 14"
- 8. TAPER STARTS FROM BOTTOM OF COLUMN: 50"
- 9. MAXIMUM LOAD BEARING WEIGHT: 20000 Lbs.



□ 16 3/4"



NOT TO SCALE

First Class Building Products -bW
3600 Dallas Highway Suite 230-387
Marietta, GA 30064
Tel: 770-514-8141
Email: firstclassbp@gmail.com
www.firstclassbp.com

DRAWN Bryan Daniels	5/11/2016
CHECKED	
QA	
DIMENSIONS ARE IN INCHES	
TOLERANCE: ± 1/4"	

FIRST CLASS
BUILDING PRODUCTS, INC.

TITLE Tuscan Round, Smooth 14" x 14'	
SIZE A	DWG NO SM1414
SCALE 1:20	REV 03

SHEET 1 OF 1

2

1

