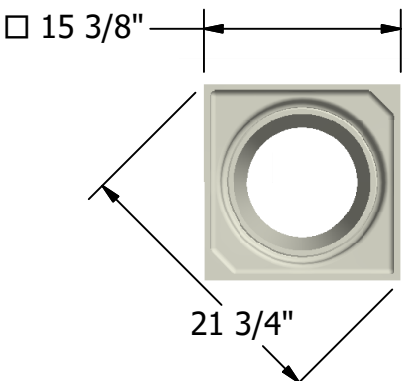
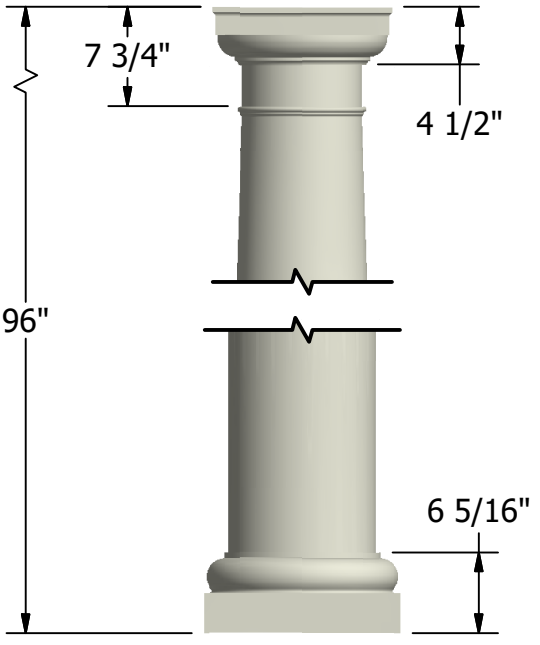
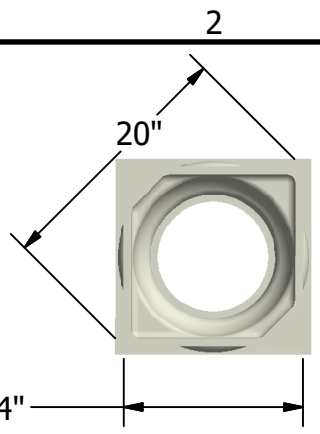


↓

1

2

- NOTES:**
1. MATERIAL: FIBERGLASS REINFORCED POLYMER (FRP)
  2. WEIGHT: COLUMN: 89 Lbs.  
CAP: 7.5 Lbs.  
BASE: 16.5 Lbs.
  3. MATERIAL THICKNESS.  
COLUMN: 3/8"
  4. INSIDE DIAMETER AT TOP OF COLUMN: 8 5/8"
  5. OUTSIDE DIAMETER AT TOP OF COLUMN: 9 3/8"
  6. INSIDE DIAMETER AT BOTTOM OF COLUMN: 10 3/4"
  7. OUTSIDE DIAMETER AT BOTTOM OF COLUMN: 11 1/2"
  8. TAPER STARTS FROM BOTTOM OF COLUMN: 32"
  9. MAXIMUM LOAD BEARING WEIGHT: 18000 Lbs.



NOT TO SCALE

First Class Building Products -bW  
3600 Dallas Highway Suite 230-387  
Marietta, GA 30064  
Tel: 770-514-8141  
Email: firstclassbp@gmail.com  
www.firstclassbp.com

DRAWN Bryan Daniels	5/11/2016
CHECKED	
QA	
MFG	
APPROVED	
DIMENSIONS ARE IN INCHES	
TOLERANCE: ± 1/4"	

TITLE Tuscan Round, Smooth 12" x 8'			
SIZE A	DWG NO SM1208	REV 03	
SCALE 1:15	SHEET 1 OF 1		

2

↑

1

B

B

A

A