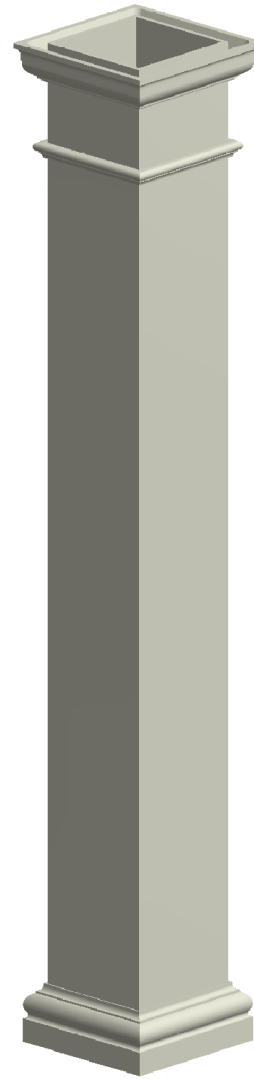
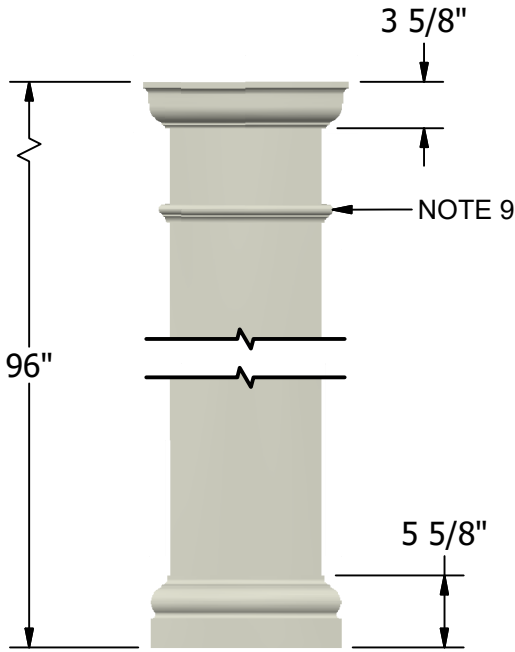
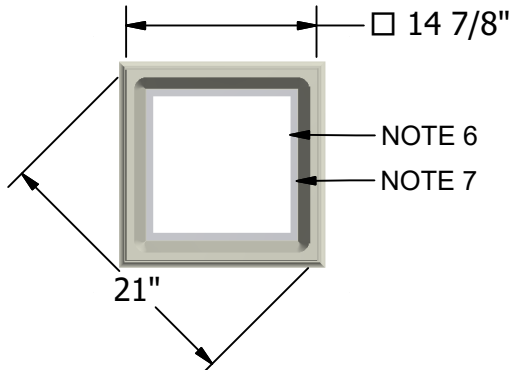


NOTES:

1. MATERIAL: FIBERGLASS REINFORCED POLYMER (FRP)
2. WEIGHT: COLUMN: 178 Lbs.  
CAP: 9 Lbs.  
BASE: 12 Lbs.
3. MATERIAL THICKNESS.  
COLUMN: 1/2"
4. INSIDE DIAMETER AT TOP OF COLUMN: 10 3/4"
5. OUTSIDE DIAMETER AT TOP OF COLUMN: 11 3/4"
6. INSIDE DIAMETER AT BOTTOM OF COLUMN: 10 3/4"
7. OUTSIDE DIAMETER AT BOTTOM OF COLUMN: 11 3/4"
8. MAXIMUM LOAD BEARING WEIGHT: 14000 Lbs.
9. NECK RING HEIGHT TO BE DETERMINED BY CUSTOMER



NOT TO SCALE



|   |           |
|---|-----------|
| DRAWN<br>Bryan Daniels                        | 4/13/2016 |
| CHECKED                                       |           |
| QA  |           |
| MFG   |           |
| APPROVED                                      |           |
| DIMENSIONS ARE IN INCHES<br>TOLERANCE: ± 1/4" |           |

**FIRST CLASS**  
BUILDING PRODUCTS, INC.

TITLE  
12" x 8' Square Post Assembly

|               |                   |           |
|---------------|-------------------|-----------|
| SIZE<br>A     | DWG NO<br>SQS1208 | REV<br>03 |
| SCALE<br>1:15 | SHEET 1 OF 1      |           |

First Class Building Products, Inc.  
3600 Dallas Highway Suite 230-387  
Marietta, GA 30064  
Tel: 770-514-8141  
Email: firstclassbp@gmail.com  
www.firstclassbp.com